

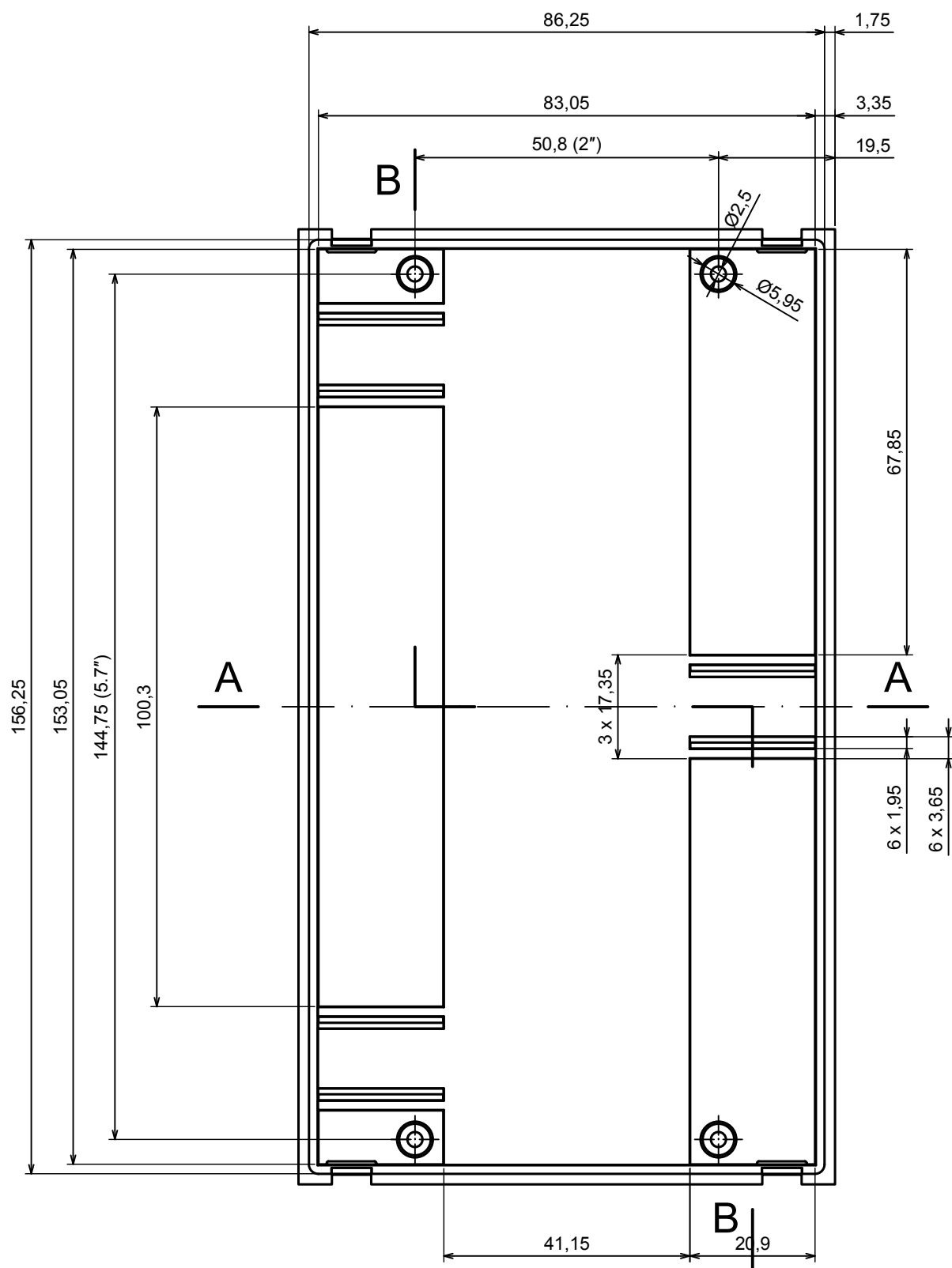
All rights reserved. Copyright Kradox 2019

Product model Enclosure ZD1009 - Assembly

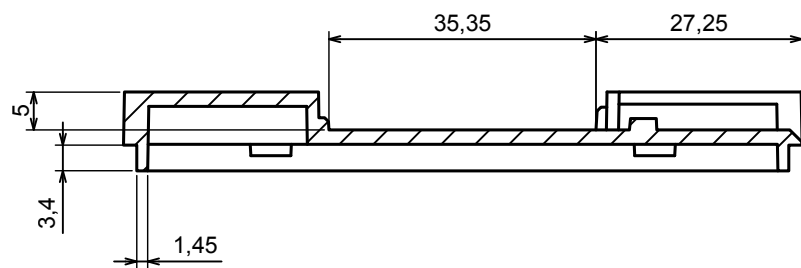
Format: A3 Material: ABS

Scale 1:1 Tolerance: +/- 0,5

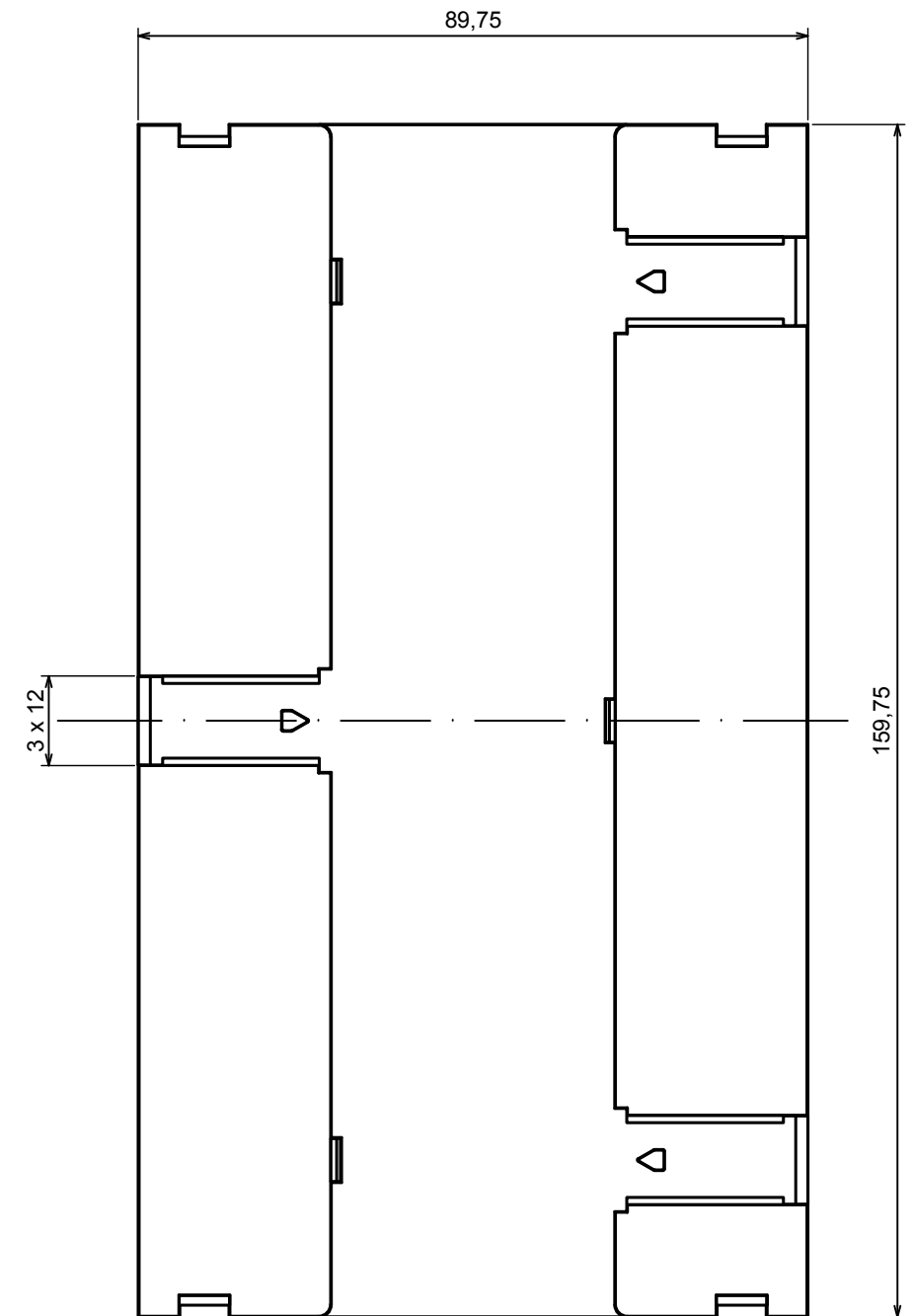
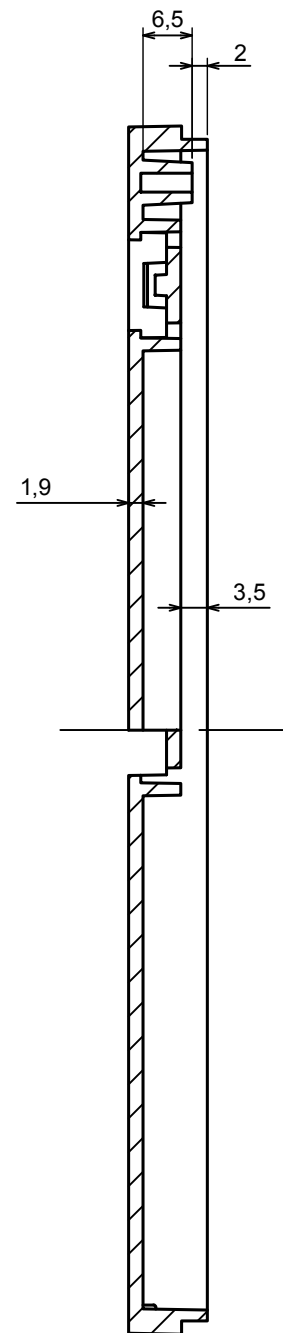




A-A



B-B



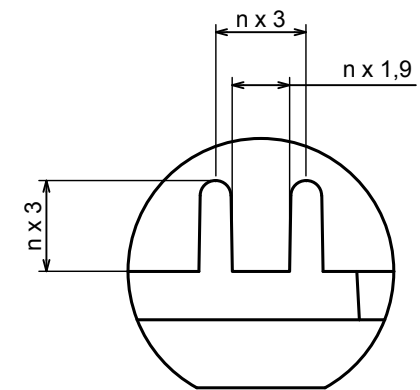
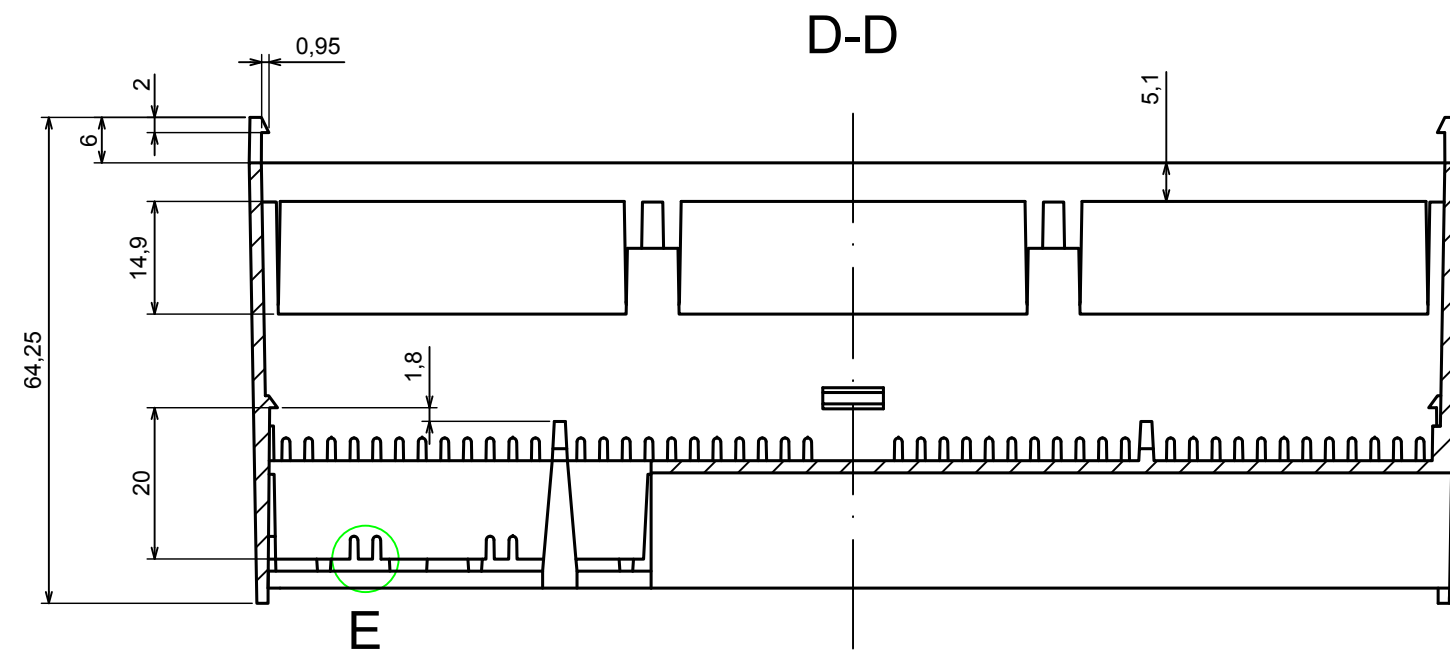
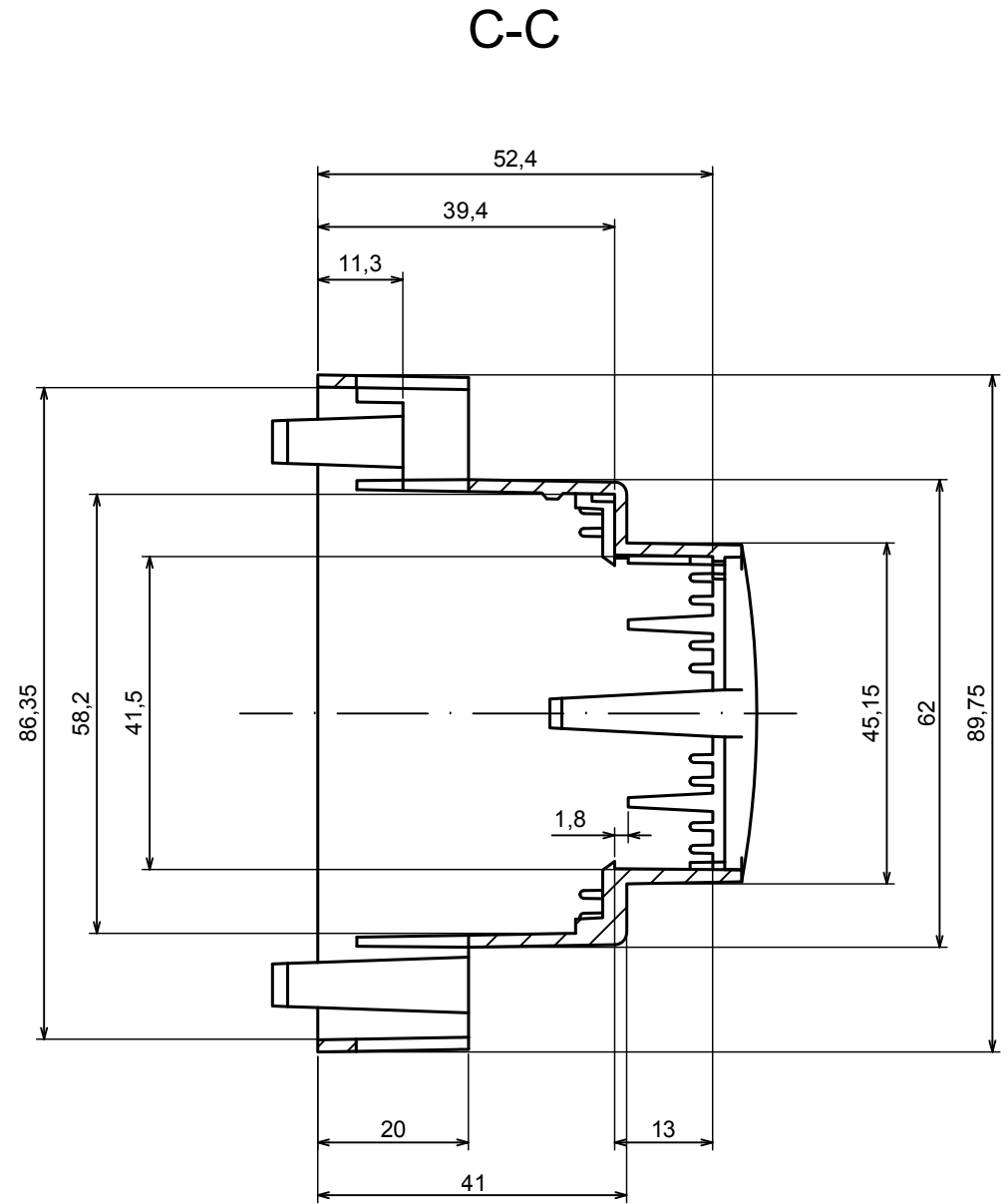
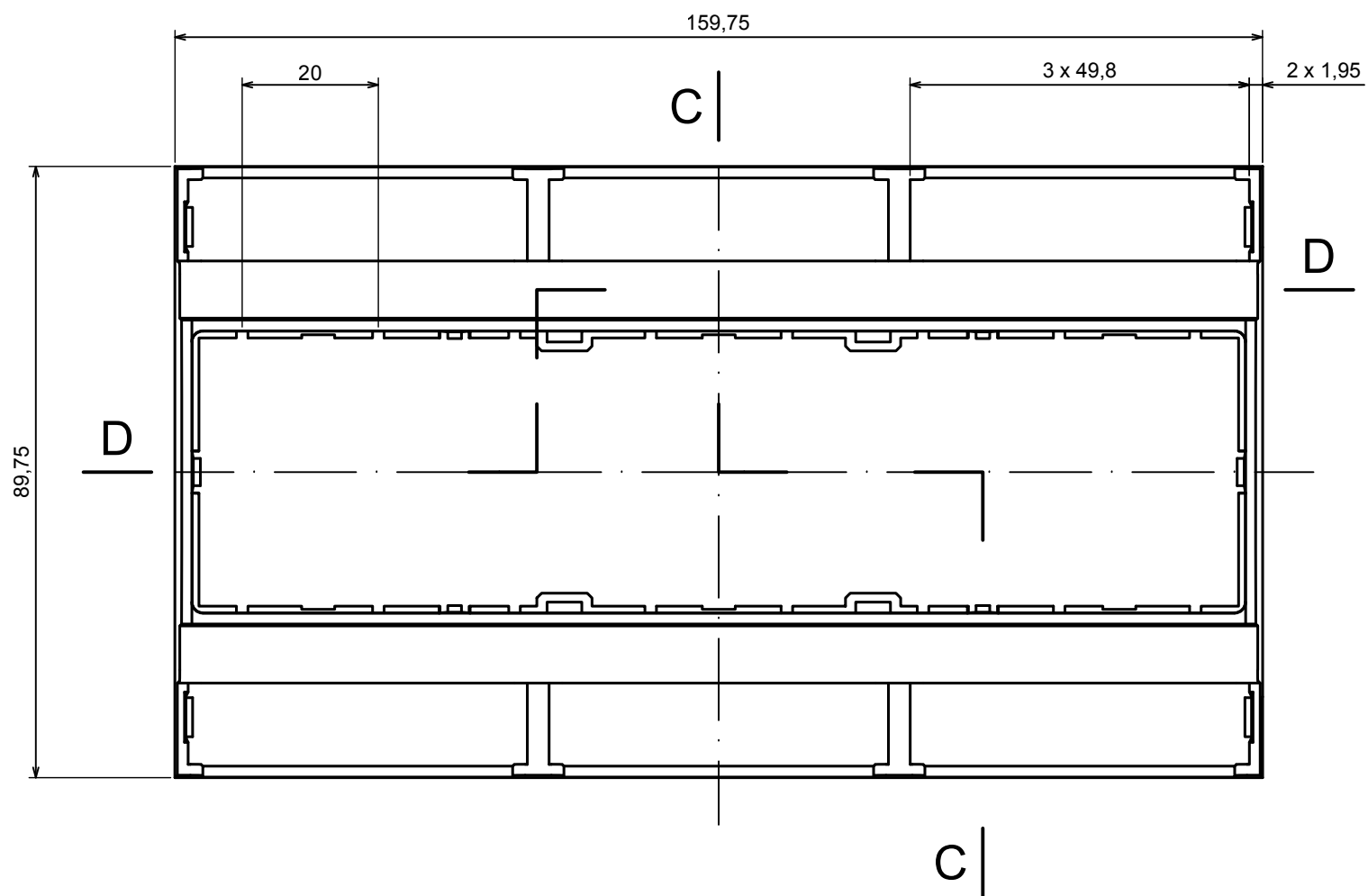
All rights reserved. Copyright Kradox 2019

Product model Enclosure ZD1009 - Base

Format: A3 Material: ABS

Scale 1:1 Tolerance: +/- 0,5





E (4.0000)

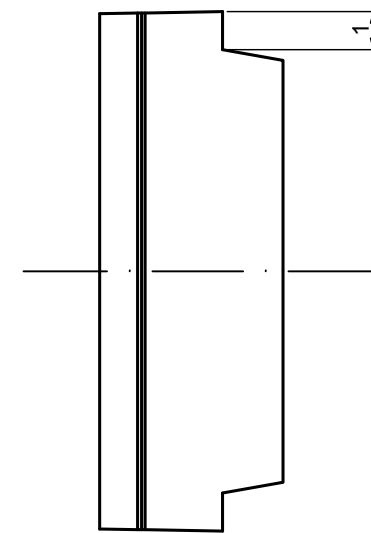
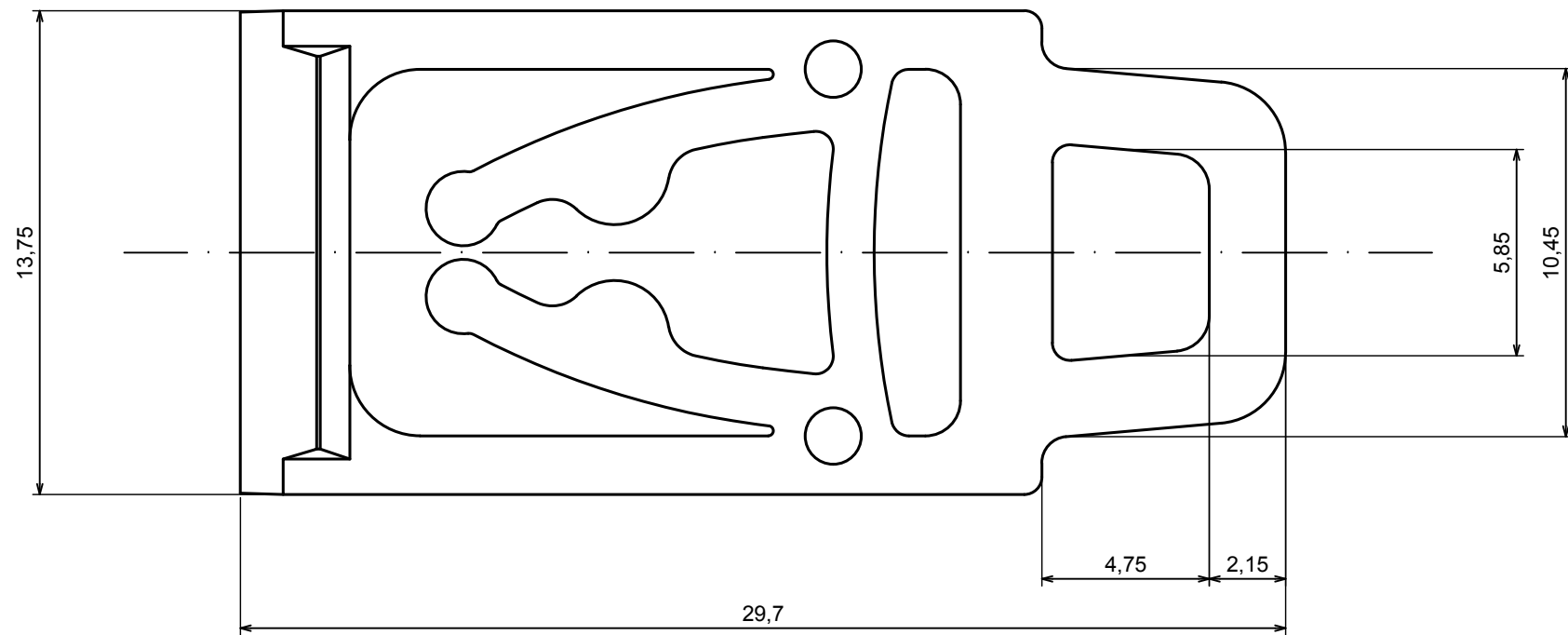
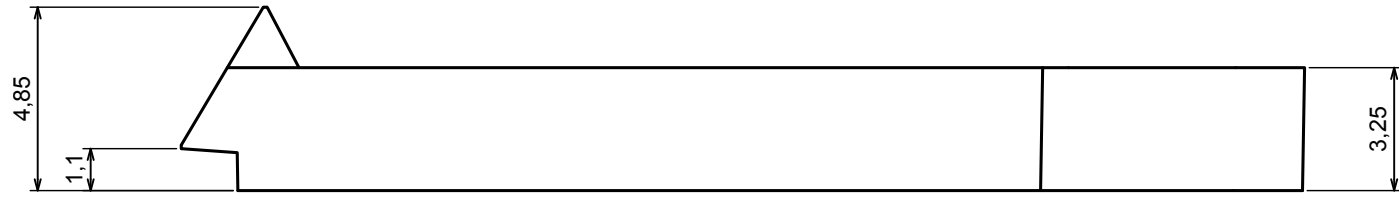
All rights reserved. Copyright Kradox 2019

Product model: Enclosure ZD1009 - Cover

Format: A3 Material: ABS

Scale 1:1 Tolerance: +/- 0,3





All rights reserved. Copyright Kradox 2019

Product model Enclosure ZD1009 - Hook

Format: A3 Material: ABS

Scale 5:1 Tolerance: +/- 0,5

