

■ **Features**

- High Luminous LEDs
- 5mm Concave Standard Directivity
- UV Resistant Epoxy
- Integral Current Limiting Resistor
- TTL Compatible (Requires No External Current Limiter With 12Volt Supply)
- Cost Effective (Saves Space and Resistor Cost)
- Water clear Type

■ **Applications**

- Status Indicators
- Electronic Signs And Signals
- Other Lighting

■ **Absolute Maximum Rating**

(Ta=25°C)

Item	Symbol	Value	Unit
DC Forward Voltage	V <sub>F</sub>	15	V
Reverse Voltage	V <sub>R</sub>	5	V
Power Dissipation	P <sub>D</sub>	225	mW
Operating Temperature	Topr	-30 ~ +85	°C
Storage Temperature	Tstg	-30 ~ +85	°C
Lead Soldering Temperature	Tsol	260°C/5sec	-

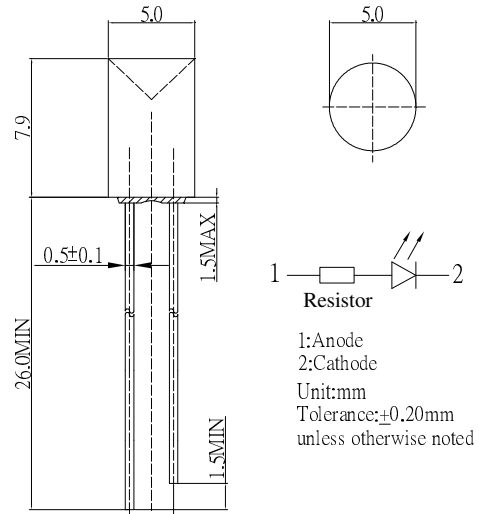
■ **Electrical -Optical Characteristics**

(Ta=25°C)

Part Number	Color		I <sub>F</sub> (mA)			I <sub>v</sub> (mcd)*			λD(nm)*			2θ1/2(deg)
			Min	Typ.	Max.	Min.	Typ.	Max.	Min.	Typ.	Max.	Typ.
			V <sub>F</sub> =12V			V <sub>F</sub> =12V						
OSW5DK5MC1B-12V	Cool White	W	-	10	15	750	1120	-	X=0.27, Y=0.28			120
OSM5DK5MC1B-12V	Warm White	M	-	10	15	500	750	-	X=0.45, Y=0.41			120
OSB5SA5MC1B-12V	Blue	B	-	10	15	220	330	-	465	470	475	120
OSG5DA5MC1B-12V	Pure Green	PG	-	10	15	750	1120	-	520	525	530	120
OSY5JA5MC1B-12V	Yellow	Y	-	10	15	100	150	-	585	590	595	120
OSO5JA5MC1B-12V	Orange	O	-	10	15	100	150	-	600	605	610	120
OSR5JA5MC1B-12V	Red	R	-	10	15	100	150	-	620	625	630	120

\*1 Tolerance of measurements of chromaticity coordinate is ±10%  
 \*2 Tolerance of measurements of dominant wavelength is ±1nm  
 \*3 Tolerance of measurements of luminous intensity is ±15%  
 \*4 Tolerance of measurements of forward voltage is ±0.1V

■ **Outline Dimension**



■ **Directivity**

