

■ Description

- LED Kit contains Multi-voltage DC3-15V LEDs
- 140pcs are supplied in a storage box for easy storage
- Wide input voltage range (3-15V)
- With built-in resistor, direct use
- Cost effective (save space and resistor cost)
- User-friendly
- Widely applied to project design, Arduino/Pi Pico/ Steam kit, TTL/Cmos compatible applications

■ Features

- 3mm round standard 30° directivity
- Red/Yellow/Blue/Pure Green/Warm White/Cool White/ Bi-color Red&Blue/Red&Pure Green
- Color transparent type

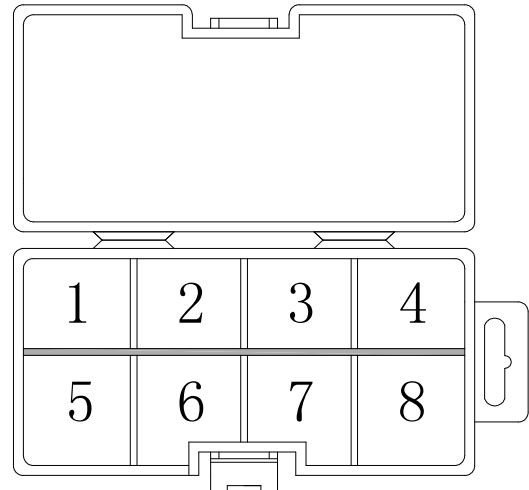
■ Product Picture

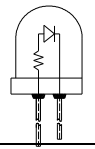
140pcs/Box (Dimensions: 137*68*28mm)



■ Kit Contents

Section	Contents	Pcs	P/N	Spec
1	3mm Multi-voltage LED, Red	20	OSR53133A-VV	Page 2
2	3mm Multi-voltage LED, Yellow	20	OSY53133A-VV	
3	3mm Multi-voltage LED Blue	20	OSB53133A-VV	
4	3mm Multi-voltage LED, Pure Green	20	OSG53133A-VV	
5	3mm Multi-voltage LED, Warm White	20	OSM53131A-VV	
6	3mm Multi-voltage LED, Cool White	20	OSW53131A-VV	
7	3mm Bi-color Multi-voltage LED, Red/Blue	10	OSRBMC3131A-VV	Page 3
8	3mm Bi-color Multi-voltage LED, Red/Pure Green	10	OSRPMC3131A-VV	





■Description

This LED builds with internal resistor to operate with wide operation voltage of DC3-15V.

■Features

- Wide Input Voltage
- Cost Saving and Space Saving
- Color Transparent Type
- Single Color

■Applications

- Toys/Game/Audio
- TTL/Cmos Compatible
- Arduino/Pi Pico/Steam Kit
- Other Electronics Products

■Absolute Maximum Rating (Ta=25°C)

Item	Symbol	Value	Unit
DC Forward Voltage	V _F	15	V
Reverse Voltage	V _R	12	V
Power Dissipation	P _D	190	mW
Operating Temperature	Topr	-30 ~ +85	°C
Storage Temperature	Tstg	-40~ +100	°C
Lead Soldering Temperature	Tsol	260°C/5sec	-

■Electrical -Optical Characteristics (Ta=25°C)

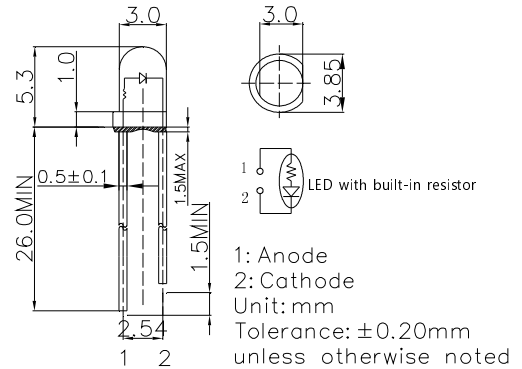
3mm Multi-Voltage LED						
LED P/N	OSR53133A-VV	OSY53133A-VV	OSB53133A-VV	OSG53133A-VV	OSM53131A-VV	OSW53131A-VV
Light Color	Red	Yellow	Blue	Pure Green	Warm White	Cool White
Lens Color	Red Transparent	Yellow Transparent	Blue Transparent	Green Transparent	Water Clear	Water Clear
Wavelength*1/Color Temperature*2	620-630nm	585-595nm	465-475m	520-530nm	2700-3300K	8500-18000K
Luminous Intensity(typ.)*3	2180mcd	2180mcd	1560mcd	4200mcd	4200mcd	4200mcd
Forward Voltage(typ.)	9V	9V	9V	9V	9V	9V
Forward Current(typ.)	8mA	8mA	7.5mA	7.5mA	7.5mA	7.5mA
Viewing Angle(typ.)	30°	30°	30°	30°	30°	30°
Quantity(pcs)/Box	20	20	20	20	20	20

*1 Tolerance of measurements of dominant wavelength is ±1nm

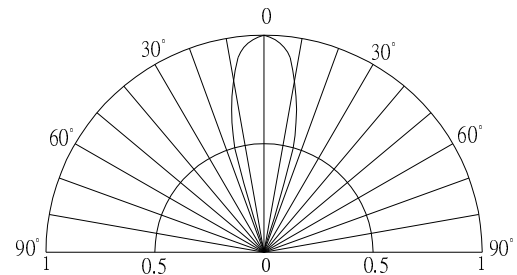
*2 Tolerance of measurements of color temperature is ±10%

*3 Tolerance of measurements of luminous intensity is ±15%

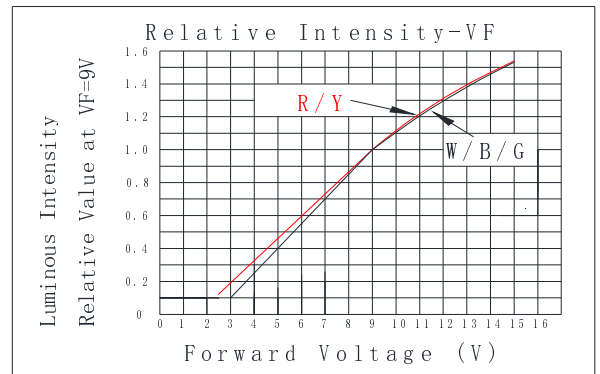
■Outline Dimension



■Directivity



■Optical Characteristic Curves



■ Description

This LED is built with two different or same color LEDs. It builds with resistors to operate with wide operation voltage of DC3-15V.

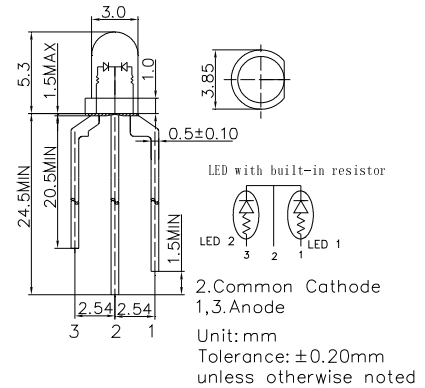
■ Features

- Wide Input Voltage
- Cost Saving and Space Saving
- Water Clear Type
- Bi-color Common Cathode Type

■ Applications

- Toys/Game/Audio
- TTL/Cmos Compatible
- Arduino/Pi Pico/Steam Kit
- Other Electronics Products

■ Outline Dimension

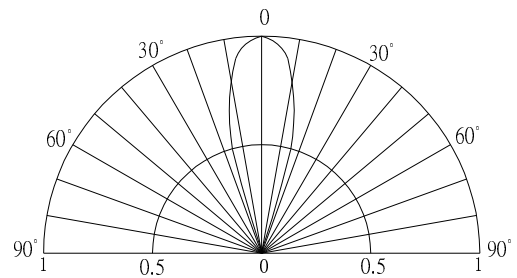


■ Absolute Maximum Rating

(Ta=25°C)

Item	Symbol	Value	Unit
DC Forward Voltage	V _F	15	V
Reverse Voltage	V _R	12	V
Power Dissipation	P _D	190	mW
Operating Temperature	Topr	-30 ~ +85	°C
Storage Temperature	Tstg	-40 ~ +100	°C
Lead Soldering Temperature	Tsol	260°C/5sec	-

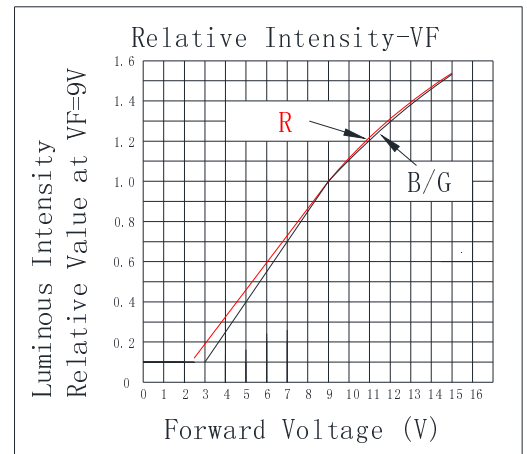
■ Directivity



■ Electrical -Optical Characteristics (Ta=25°C)

LED P/N	OSRBMC3131A-VV		OSRPMC3131A-VV	
Light Color	Red	Blue	Red	Pure Green
Lens Color	Water Clear		Water Clear	
Wavelength*1	620-630nm	465-475m	620-630nm	520-530nm
Luminous Intensity(typ.)*2	2180mcd	1560mcd	2180mcd	4200mcd
Forward Voltage(typ.)	9V	9V	9V	9V
Forward Current(typ.)*3	8mA	7.5mA	8mA	7.5mA
Viewing Angle(typ.)	30°	30°	30°	30°
Quantity(pcs)/Box	10		10	

■ Optical Characteristic Curves



*1 Tolerance of measurements of dominant wavelength is ±1nm

*2 Tolerance of measurements of luminous intensity is ±15%

*3 Tolerance of measurements of forward current ±1mA