
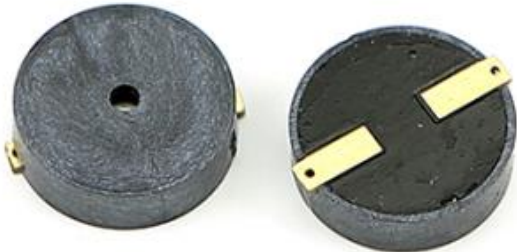

	DATE	27-04-2020	SPECIFICATION	ChangZhou Cre-Sound Electronics Co.,Ltd.
	PAGE	1/9		www.cre-soundbuzzer.com
	Rev.	A/0		www.wj-Lianhua.com
	<i>MODEL NAME: LPT1030AS-HL-05-5.2-10-R</i>			

SPECIFICATION FOR APPROVAL SMD PIEZO TRANSDUCER

Model Name	LPT1030AS-HL-05-5.2-10-R
Note	

Product Photo	Cre-Sound
	DRAWING: 王 杨
	CHECKED: 姚宝鑫
	APPROVED: 宋雪琪
Customer Confirmation:	

ChangZhou Cre-Sound Electronics Co.,Ltd.
Tel: +86-519-86323596; Fax: +86-519-86702455
E-mail: connie@wj-lianhua.com

	DATE	27-04-2020	SPECIFICATION	ChangZhou Cre-Sound Electronics Co.,Ltd.
	PAGE	3/9		www.cre-soundbuzzer.com
	Rev.	A/0		www.wj-Lianhua.com
MODEL NAME: LPT1030AS-HL-05-5.2-10-R				

Technical Terms:

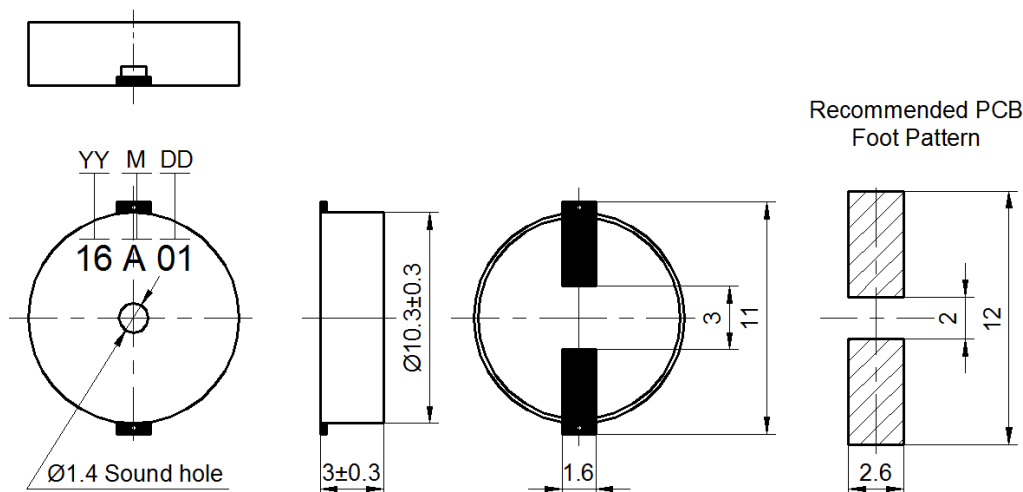
No.	Technical terms	Value
1	Rated Voltage (Vp-p)	5
2	Operating Voltage (Vp-p)	1~25
3	*Current Consumption (mA)	≤5
4	Capacitance at100Hz (PF)	10000±30%
5	*Sound Output at 10 cm (dB)	≥75
6	Oscillation Frequency (Hz)	5200±500
7	Operating Temperature (°C)	-30~+85
8	Storage Temperature (°C)	-40~+90
9	Weight (g)	0.3
10	Housing Material	LCP
11	MSL(Moisture Sensitivity Level)	5a(≤30°C/60%RH 24hrs Floor life)
12	RoHS	Yes

*Value applying at rated voltage (5.2KHz, 1/2 duty , square wave)

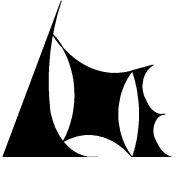
Test Basic State: Temp(20±2°C),Humidity(40~70%RH),Air pressure(860~1060hPa).

Dimensions (UNIT: mm):

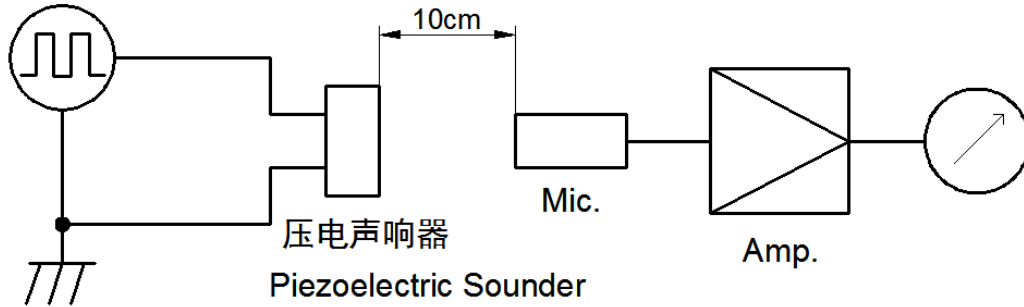
Tolerance: ±0.5mm Except Specified



ChangZhou Cre-Sound Electronics Co.,Ltd.
Tel: +86-519-86323596; Fax: +86-519-86702455
E-mail: connie@wj-lianhua.com

	DATE	27-04-2020	SPECIFICATION	ChangZhou Cre-Sound Electronics Co.,Ltd.
	PAGE	4/9		www.cre-soundbuzzer.com
	Rev.	A/0		www.wj-Lianhua.com
<i>MODEL NAME: LPT1030AS-HL-05-5.2-10-R</i>				

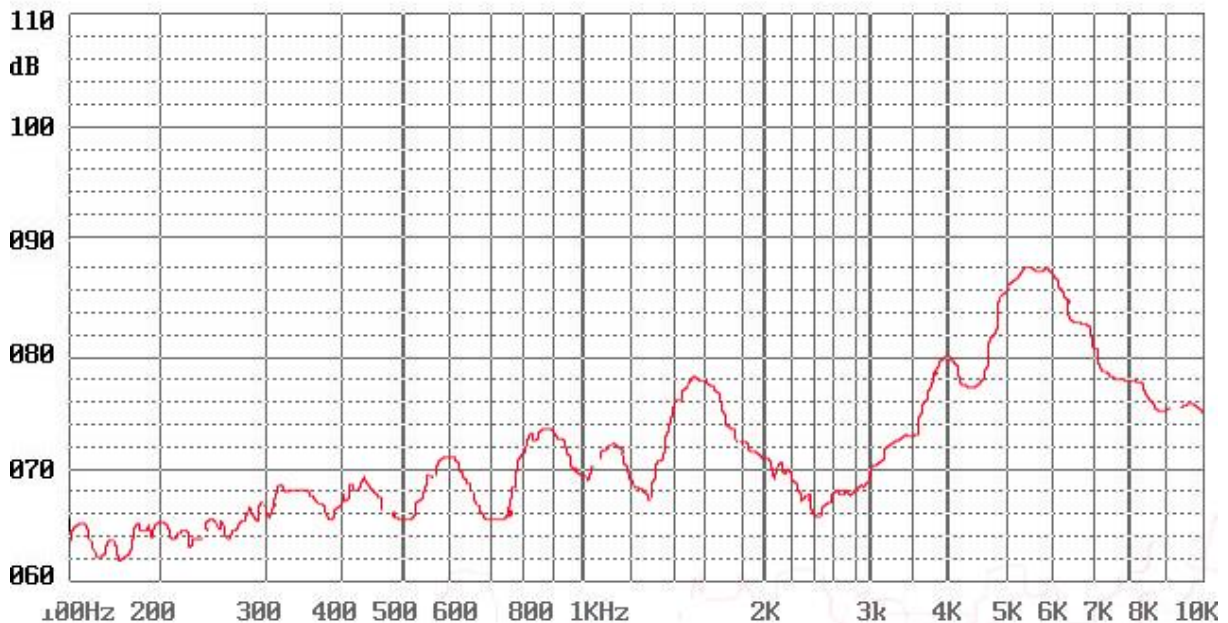
Test Method:




MIC: ND10 普通声级计或等同品
MIC: ND10 Sound Meter or equivalent

信号发生器: DF1641D或等同品
Signal Generator: DF1641D or equivalent

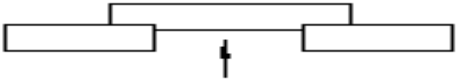
Frequency Response:



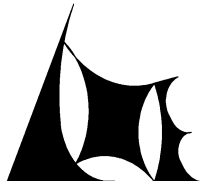
ChangZhou Cre-Sound Electronics Co.,Ltd.
Tel: +86-519-86323596; Fax: +86-519-86702455
E-mail: connie@wj-lianhua.com

	DATE	27-04-2020	SPECIFICATION	ChangZhou Cre-Sound Electronics Co.,Ltd.
	PAGE	5/9		www.cre-soundbuzzer.com
	Rev.	A/0		www.wj-Lianhua.com
	MODEL NAME: LPT1030AS-HL-05-5.2-10-R			

Reliability Test:

No.	Item	Test condition	Variance after test
1	High temp. storage life	The part shall be capable of withstanding a storage temperature is +90°C for 120 hours	After being placed for 2 to 4hrs at room temp , the product shall meet specifications,except the SPL should be in ±10dB compared with initial one.
2	Low temp. storage life	The part shall be capable of withstanding a storage temperature is -40°C for 120 hours	
3	Temp. Cycle	Total 5 cycles, 1 cycle consisting of -40±2°C, 30 minutes 20±5°C 15 minutes 90±2°C, 30 minutes 20±5°C 15 minutes	
4	Humidity Test	40±2°C, 90~95% RH, 120 hours	
5	Vibration Test	To-and-fro. sweep time (from 10 to 55 Hz and then 55 to 10) under single amplitude of 1.0mm is 1 minute. The vibration test shall consist of 2 hours per plane in each three mutually perpendicular planes for a total time of 6 hours.	The SPL shall meet specification.
6	Shock	Sounder shall be measured after being applied shock (980m/s ²) for each three mutually perpendicular directions to each of 3 times by half sine wave.	After the test, the product shall meet specifications,except the SPL should be in ±10dB compared with initial one.
7	Drop Test	Dropped naturally from 700mm height onto the surface of 10mm thick wooden board. 2 directions-upper and side of the part are to be applied.	
8	Lead pull	The part shall be pushed with a force of 9.8N for 10±1 seconds behind the part. 	After the test part shall meet specifications without any degradation in appearance and performance.
9	Recommended temp. Profile for Reflow Oven	Shown in Fig.1	The SPL shall meet specification.

Warranty: For a period of **six months** from date of manufacturer under normal operations.



DATE 27-04-2020

PAGE 6/9

Rev. A/0

SPECIFICATION

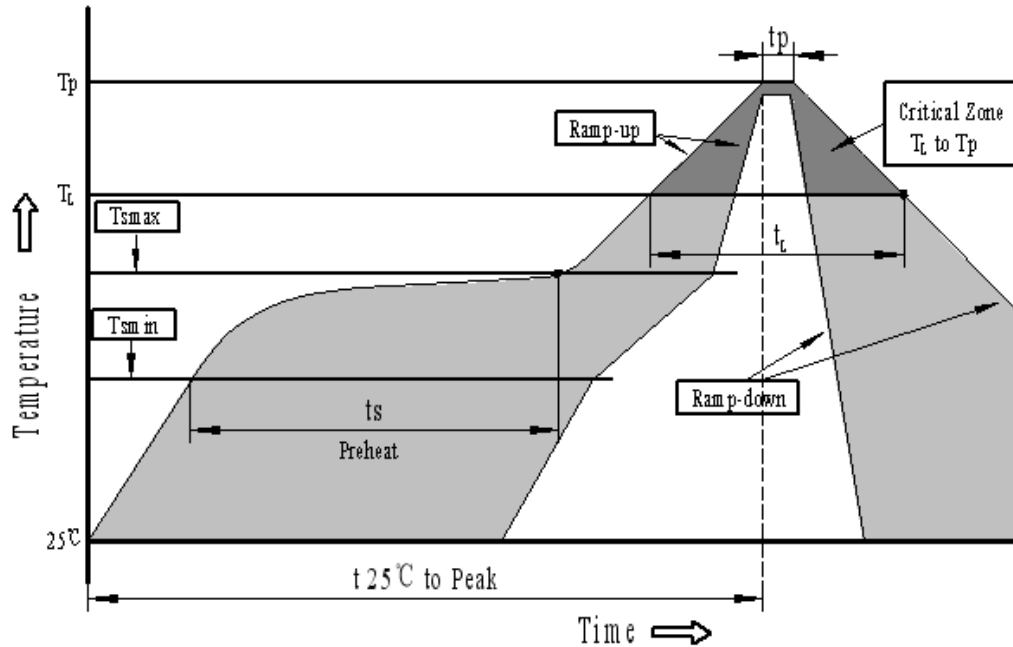
ChangZhou Cre-Sound Electronics Co.,Ltd.

www.cre-soundbuzzer.com

www.wj-Lianhua.com

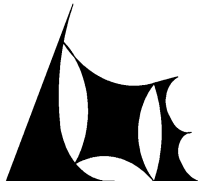
MODEL NAME: LPT1030AS-HL-05-5.2-10-R

Recommended Temp. Profile for Reflow Oven (Fig.1)



Profile Feature	Pb-Free Assembly
Average ramp-up rate(T_L to T_p)	3°C/second max.
Preheat	
-Temperature Min.(T_{Smin})	150°C
-Temperature Min.(T_{Smax})	200°C
-Temperature Min.(t_s)	60~180 seconds
T_{Smax} to T_L	
-Ramp-up Rate	3°C/second max.
Time maintained above:	
- Temperature(T_L)	217°C
-Time(t_L)	60~150 seconds
Peak temperature(T_p)	245°C +0/-5°C
Time within 5°C of actual Peak temperature (t_p)	6 seconds max.
Ramp-down Rate	6°C/second max.
Time 25°C to Peak Temperature	8 minutes max.
We suggest the customer do the reflow soldering once.	

ChangZhou Cre-Sound Electronics Co.,Ltd.
Tel: +86-519-86323596; Fax: +86-519-86702455
E-mail: connie@wj-lianhua.com



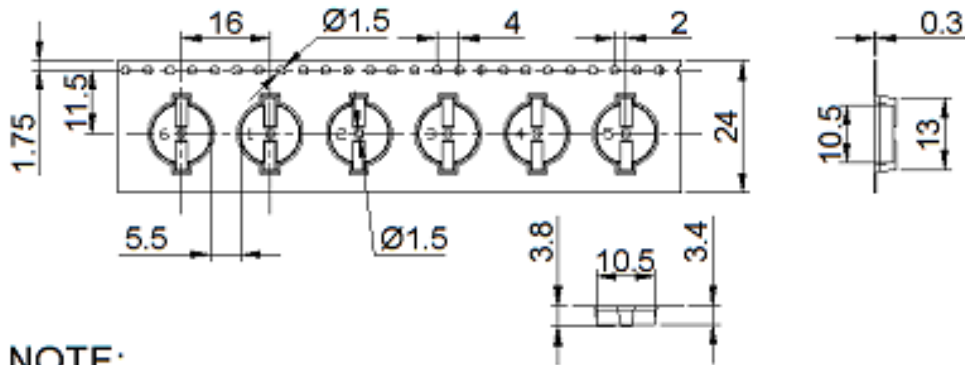
DATE 27-04-2020
PAGE 7/9
Rev. A/0

SPECIFICATION

ChangZhou Cre-Sound
Electronics Co.,Ltd.
www.cre-soundbuzzer.com
www.wj-Lianhua.com

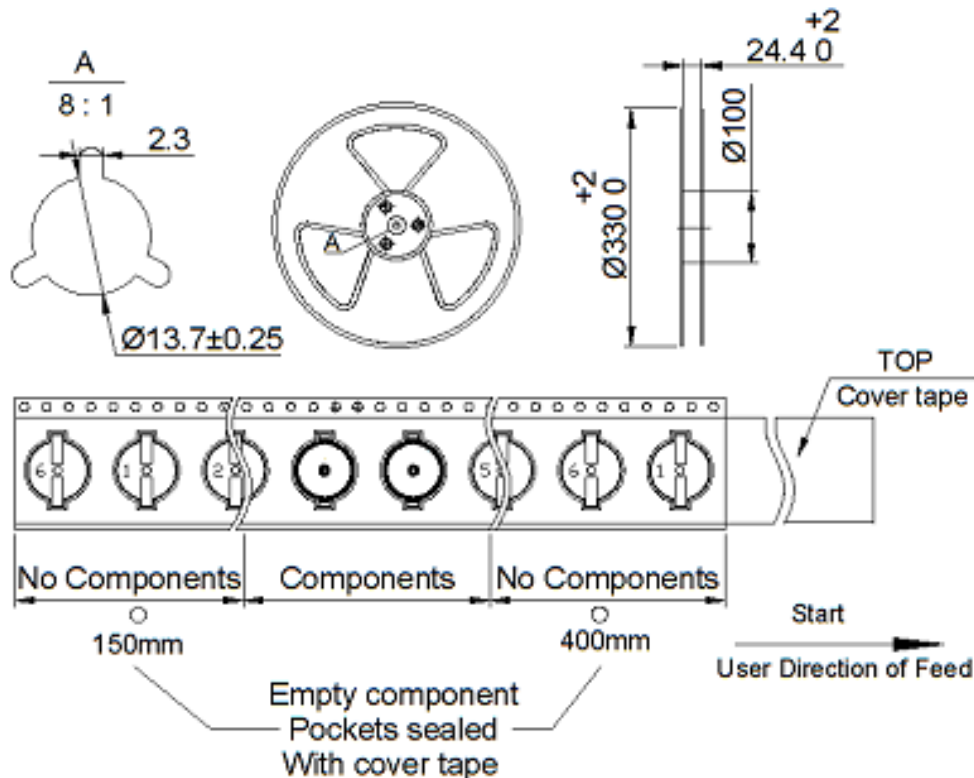
MODEL NAME: LPT1030AS-HL-05-5.2-10-R

Packing:

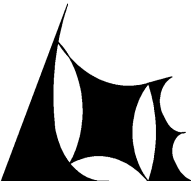


NOTE:

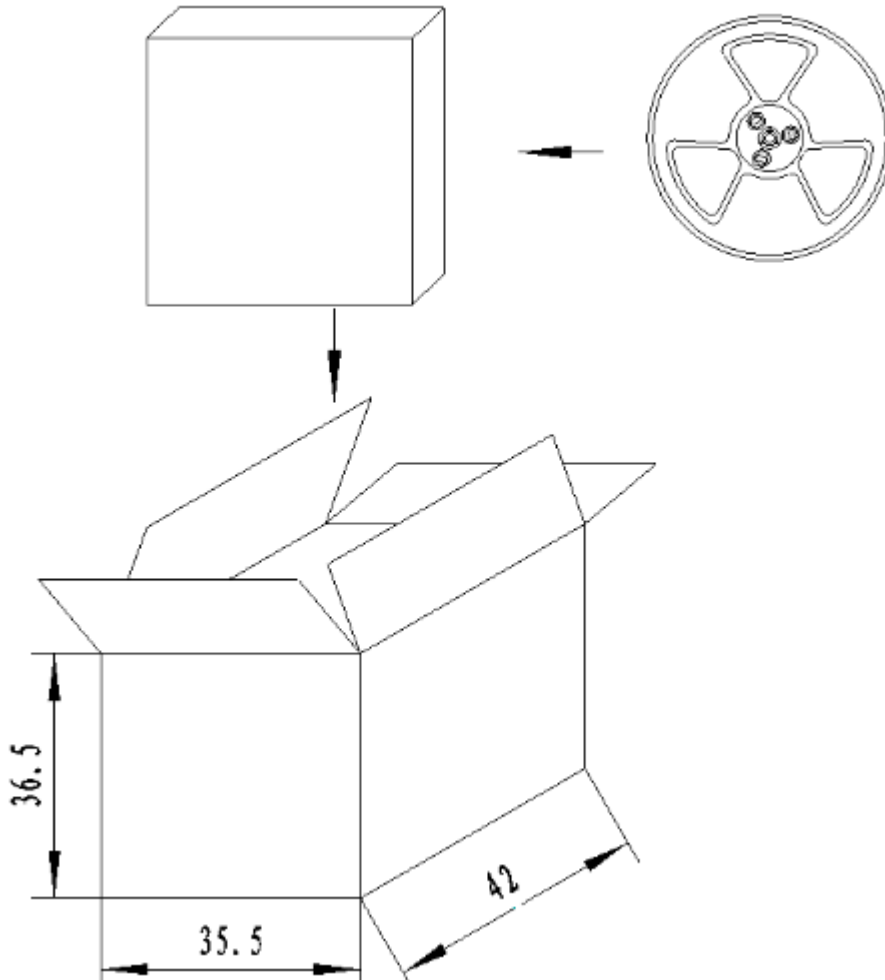
- 1.10 sprocket hole pitch cumulative tolerance $\pm 0.20\text{mm}$.
2. All dimensions meet EIA-481-D requirements.
3. Thickness: $0.3 \pm 0.05\text{mm}$.
4. Component loaded per 13" reel: 1000 pcs.



ChangZhou Cre-Sound Electronics Co.,Ltd.
Tel: +86-519-86323596; Fax: +86-519-86702455
E-mail: connie@wj-lianhua.com

	DATE	27-04-2020	SPECIFICATION	ChangZhou Cre-Sound Electronics Co.,Ltd.
	PAGE	8/9		www.cre-soundbuzzer.com
	Rev.	A/0		www.wj-Lianhua.com
<i>MODEL NAME: LPT1030AS-HL-05-5.2-10-R</i>				

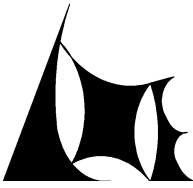
Packing:



NOTES:

- 1.1000 PCS per box
- 2.Total 10 boxes per carton
- 3.Total 10000 PCS carton
- 4.Volum:42*35.5*36.5cm

ChangZhou Cre-Sound Electronics Co.,Ltd.
Tel: +86-519-86323596; Fax: +86-519-86702455
E-mail: connie@wj-lianhua.com

	DATE	27-04-2020	SPECIFICATION	ChangZhou Cre-Sound Electronics Co.,Ltd.
	PAGE	9/9		www.cre-soundbuzzer.com
	Rev.	A/0		www.wj-Lianhua.com
	<i>MODEL NAME: LPT1030AS-HL-05-5.2-10-R</i>			

MSL Rating and Notice

Moisture Sensitivity level and Floor Life

Level	Floor life(out of bag) at factory Ambient $\leq 30^{\circ}\text{C}/60\% \text{RH}$
5a	24 hours

① **The products must not be washed.**

② **Storage Condition:**

The products should be stored in the room, where the temperature/humidity is stable.

And avoid such places where there are large temperature changes.

Please store the products at the following conditions:

Temperature: -10 to $+40^{\circ}\text{C}$ Humidity: 15 to 85% R.H.

③ **Expire Date on Storage:**

Expire date (shelf life) of the products is **six months** after delivered under the conditions of a sealed and an unopened package.

Please use the products with **six months** after delivered.

④ **Notice on product Storage:**

Please use the products immediately after the package is opened, because the characteristics may be reduced at quality.