

CUSTOMER:

CLUE No.:

MODEL NUMBER:

OUR PART NUMBER:

CUSTOMER PART NO.:

CUSTOMER	APPROVED	CHECKED

F017-16K0701	<b>Specification for Piezoelectric Ceramic Buzzer With built-in oscillating circuit</b>	Des.	Page 2 of 4

### 1. Technical Parameter

#### Measuring condition

Part shall be measured under a condition (Temperature: 5~35°C, Humidity: 45%~85%R.H., Atmospheric pressure: 860 ~1060hPa) unless the standard condition (Temperature: 25±3°C, Humidity: 60±10%R.H. Atmospheric pressure: 860 ~1060hPa) is regulated to measure.

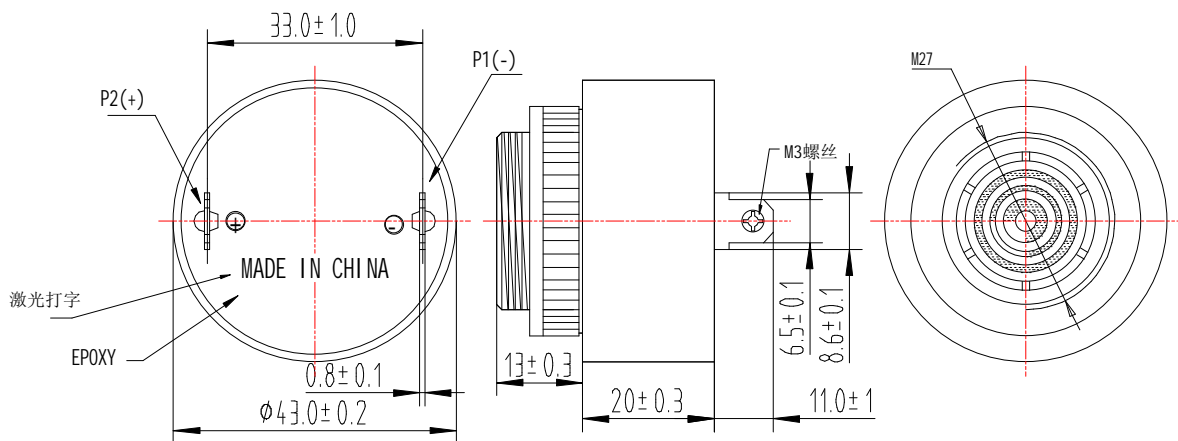


1	Dimension	Φ43.0
2	Net Weight	Approx 35g
3	Rated Voltage	12 VDC
4	Operating Voltage	4~20 VDC
5	Rated Current	Max.30mA at 12VDC
6	Sound Output	Min.95dB at 12VDC,10cm
7	Resonant Frequency	2800 ± 500Hz
8	Tone	Slow pulse 慢脉冲
9	Operating Temperature	-20°C ~ +60°C
10	Store Temperature	-30°C ~ +70°C

### 2. Dimensions

Unit: mm

Tolerance: ±0.5mm Except Specified



\*Housing Material: Black ABS

F017-16K0701	<b>Specification for Piezoelectric Ceramic Buzzer With built-in oscillating circuit</b>	Des.	Page 3 of 4

### 3. Reliability Test

After any following tests the part shall meet specifications without any degradation in appearance and performance except SPL. SPL shall not deviate more than -10 dB from the initial value

#### 3.1 Ordinary Temperature Life Test

The part shall be subjected to 96 hours at  $25 \pm 10^\circ\text{C}$ . Input rated voltage Resonant frequency, 1/2 duty Square wave.

#### 3.2 High Temperature Test

The part shall be capable of with standing a storage temperature of  $+70^\circ\text{C}$  for 96 hours.

#### 3.3 Low Temperature Test

The part shall be capable of with standing a storage temperature of  $-30^\circ\text{C}$  for 96 hours.

#### 3.4 Humidity Test

Temperature:  $+40^\circ\text{C} \pm 3^\circ\text{C}$  Relative Humidity: 90%~95% Duration: 48 hours and expose to room temperature for 6 hours

#### 3.5 Temperature Shock Test

Temperature:  $70^\circ\text{C}$  /1hour  $\rightarrow$   $25^\circ\text{C}$  /3hours  $\rightarrow$   $-30^\circ\text{C}$  /1hour  $\rightarrow$   $25^\circ\text{C}$  /3hours (1cycle)  
Total cycle: 10 cycles

#### 3.6 Drop Test

Standard Packaging From 75cm (Drop on hard wood or board of 5cm thick, three sides, six plain.)

#### 3.7 Vibration Test

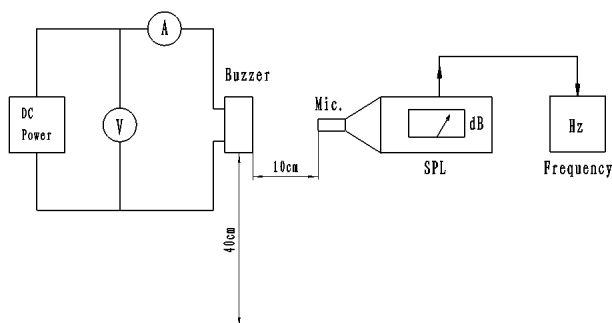
Vibration: 1000cycles /min. Amplitude: 1.5mm, Duration: 1 hour in each 3 axes

#### Note:

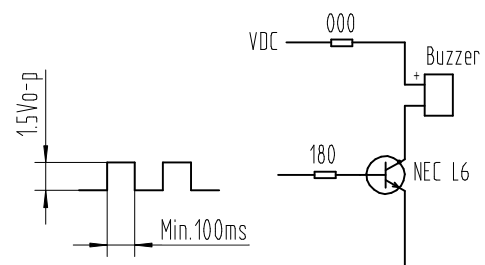
As this product is not protected from foreign material entering, please make sure that any foreign materials (e.g. magnetic powder, washing solvent, flux, corrosive gas) do not enter this product in your production processes. The functional degradation (e.g. SPL down) may occur if foreign material enter it.

### 4. Electrical And Acoustical Measuring Condition

#### a) Recommended Setting



#### b) Recommended Test Circuit



Buzzer在电源电压超过0.7VDC时即可起振；但在电源电压小于4VDC时，电路频率会下降，SPL值也会降低较大；如要低电压使用，建议使用FHD的5VDC机种

F017-16K0701	<b>Specification for Piezoelectric Ceramic Buzzer With built-in oscillating circuit</b>	Des.	Page 4 of 4

**5. 其他信息**

包装要求	1. 50 喇叭泡沫盒 30PCS/盒 料号: F6-750 150PCS/幢 2. 外箱 300PCS/箱 外箱尺寸 58*31.5*31 料号: F6-017		
唛头要求	内盒: 按订单要求	外箱: 按订单要求	

**6. 变更记录**

日期	变更项目	备注	确认人

--	--	--	--