

深圳市炬烜科技有限公司
CHIP SUN TECHNOLOGY CO., LTD

**APPROVAL
SHEET**



CUSTOMER: _____
DESCRIPTION: SMD2520 VCTCXO 38.400MHz
MANUFACTURER PART NO.: FVTO38.400M3.0SM2-2.0/0.5CEW
CUSTOMER PART NO.: _____
USED IN MODEL: _____

APPROVAL		
TECHNOLOGY DEPT.	QUALITY DEPT.	PURCHASING DEPT.

Date: March 24, 2023



深圳市炬烜科技有限公司

CHIP SUN TECHNOLOGY CO., LTD

地址 ADD: 深圳市龙华新区大浪腾龙路淘金地电子商务孵化基地 B 座 206

Rm. 206, Tower B, Taojindi Building, Tenglong Road, Dalang Street,

Longhua New District, Shenzhen, China

电话 TEL: 86-755-83458769 传真 FAX: 86-755-83459818

网址 WEB ADD: <http://www.chinachipsun.com>

E-MAIL: lily@chinachipsun.com

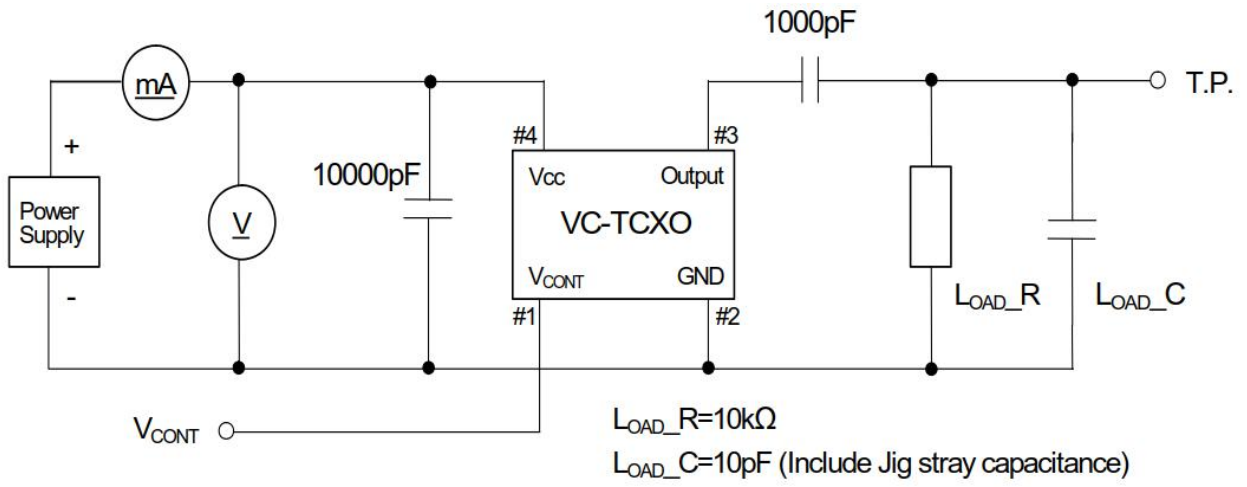
1. TEMPERATURE COMPENSATED CRYSTAL OSCILLATOR SPECIFICATION

Parameter	Value	Condition
1.1 Frequency:	38.400MHz	
1.2 Holder type:	FVTO221S	
1.3 Supply voltage:	3.0V _{DC} ±5%	
1.4 Current:	1.5mA max	10KΩ//10pF
1.5 Output Level:	0.8 Vp-p Min (Clipped Sine Wave DC-coupled 10KΩ//10pF)	
1.6 Output Load:	10KΩ//10pF	
1.7 Operable temperature range:	-40℃ To +85℃	
1.8 Storage temperature range:	-55℃ To +125℃	
1.9 Frequency tolerance:	±2.0ppm max	at 25±2℃ (After 2 times reflow)
1.10 Frequency Stability:		
vs. Temperature:	±0.5ppm max	T _A =-30℃ To +85℃ Ref. to nominal frequency
vs. Supply voltage:	±0.1ppm max	V _{CC} =3.0V±5%
vs. Load Coefficient:	±0.1ppm max	10KΩ//10pF ±10%
	±1.0ppm max	1 st Year (25±2℃)
vs. Aging:	±1.5ppm max	2 Years (25±2℃)
	±2.5ppm max	5 Years (25±2℃)
1.11 Start Up Time	2.0 ms max	More than 90% of final amplitude
1.12 Frequency Control Range	±9~±15ppm	V _{CONT} =+1.4V±1.0V
1.13 Duty Cycle	40~60% / 60~40%	
	-134 dBc/Hz max	Relative to f ₀ level offset 1kHz
1.14 SSB Phase Noise:	-144 dBc/Hz max	Relative to f ₀ level offset 10kHz
	-152 dBc/Hz max	Relative to f ₀ level offset 100kHz
1.15 Test circuit	Refer to fig.2	
1.16 Dimensions and marking	Refer to page.3	
1.17 Emboss carrier tape & reel	Refer to page.5 and page.6	

CHIP SUN TECHNOLOGY CO., LTD

DESCRIPTION	VCTCXO-SMD2520 38.400MHz ±0.5ppm 3.0V	Page:
DATE	2023-03-24	1/10

2. Measurement circuit



CHIP SUN TECHNOLOGY CO., LTD

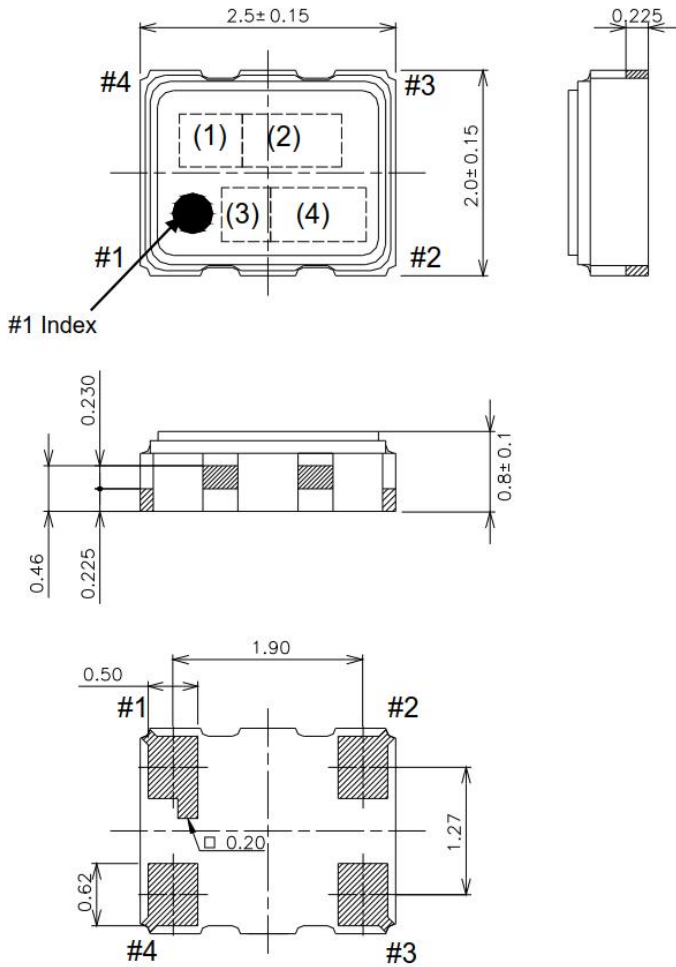
DESCRIPTION VCTCXO-SMD2520 38.400MHz $\pm 0.5ppm$ 3.0V

Page:

DATE 2023-03-24

2/10

3. FVTO221S MARKING & DIMENSIONS



Pin Connections

Pin No.	Connection
#1	V_{CONT}
#2	GND
#3	Output
#4	V_{CC}

Marking

(1) Model code	AN
(2) Frequency	26.0 (MHz, 3digits)
(3) Logo	D
(4) Date code	Year (1digit) +Week (2digits) e.g.2015/1/1 → 501

unit: mm

Dimensional Tolerance: ± 0.15

(Unless otherwise noted)

CHIP SUN TECHNOLOGY CO., LTD

DESCRIPTION VCTCXO-SMD2520 38.400MHz ± 0.5 ppm 3.0V

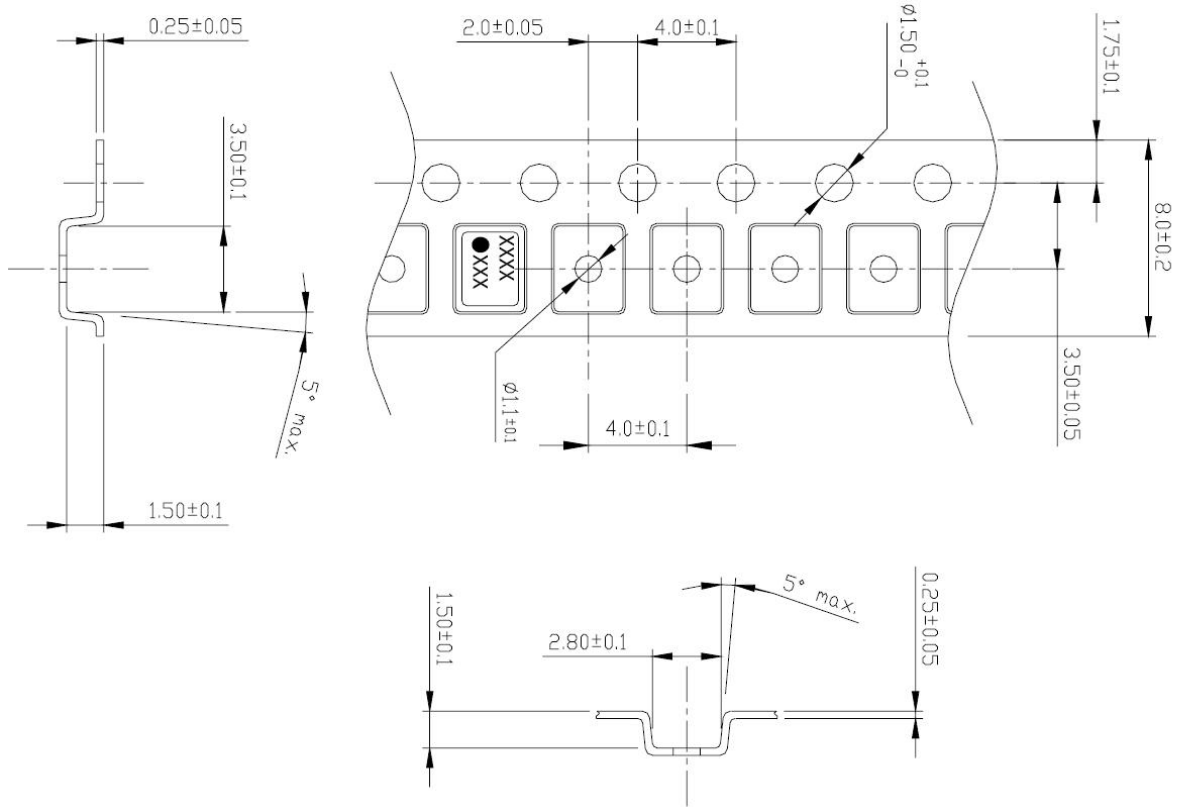
Page:

DATE 2023-03-24

3/10

4. FVTO221S EMBOSS CARRIER TAPE & REEL

a.) Dimensions of Carrier Tape



1. Clearance of an embossing tape, and a product unit: mm

Direction	Pocket size	TCXO size	Clearance
L	2.8 ± 0.1	2.5 ± 0.15	0.3 ± 0.25
W	2.3 ± 0.1	2.0 ± 0.15	0.3 ± 0.25
H	1.15 ± 0.1	0.9 max.	0.25 min.

2. Quality : Polystyrene (Conductivity)

3. Tensile strength of an embossing tape : more than 14N

CHIP SUN TECHNOLOGY CO., LTD

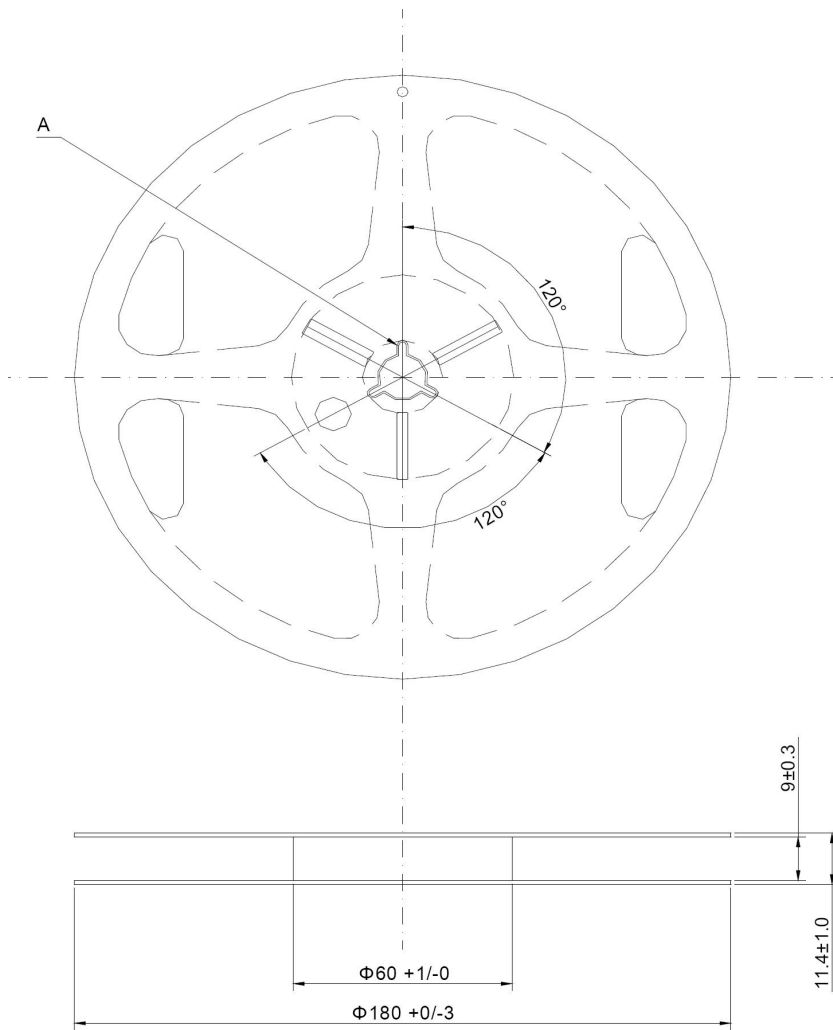
DESCRIPTION VCTCXO-SMD2520 38.400MHz ± 0.5 ppm 3.0V

Page:

DATE 2023-03-24

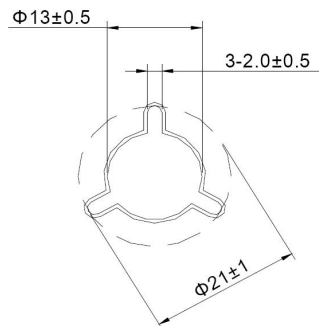
4/10

b.) Dimensions of Reel



Material: Polystyrene (Conductivity)
unit: mm

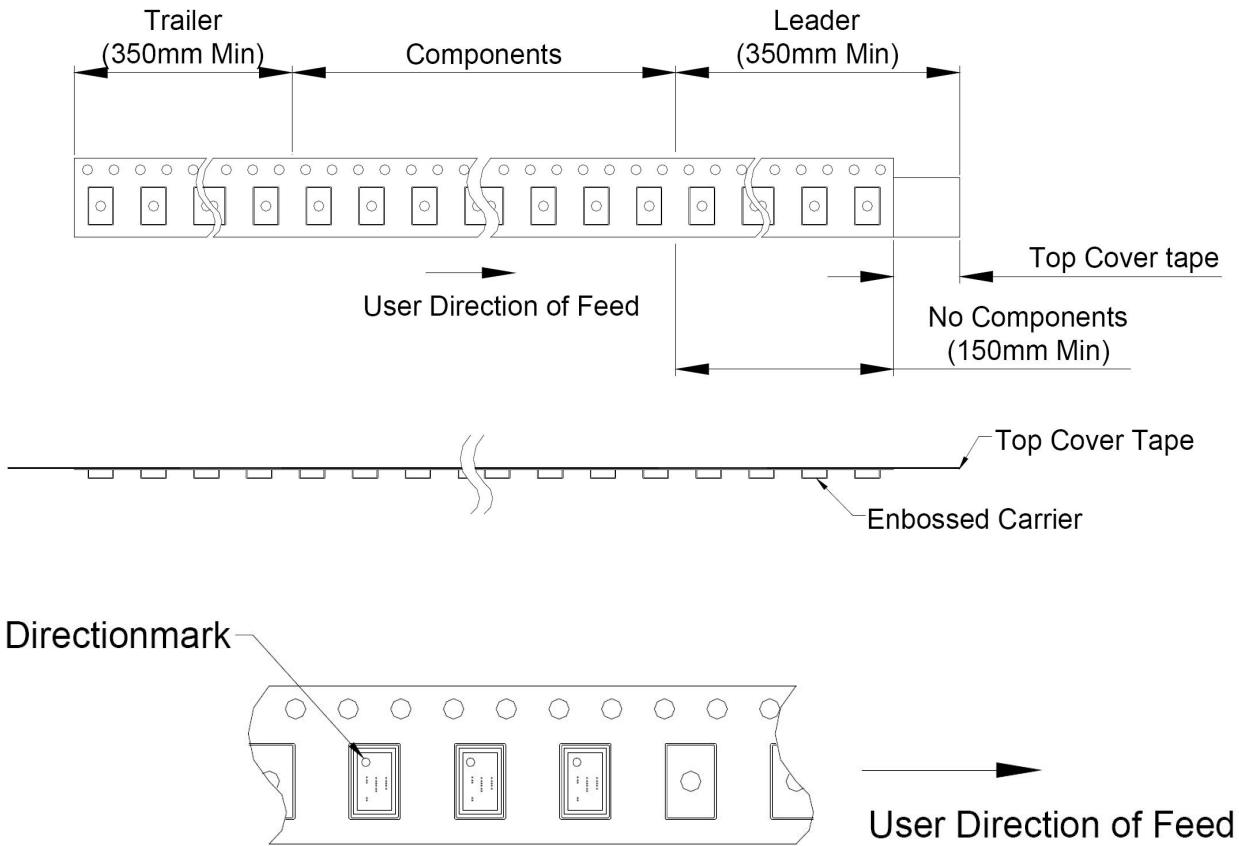
Section A



CHIP SUN TECHNOLOGY CO., LTD

CHIP SUN TECHNOLOGY CO., LTD		
DESCRIPTION	VCTCXO-SMD2520 38.400MHz ±0.5ppm 3.0V	Page:
DATE	2023-03-24	6/10

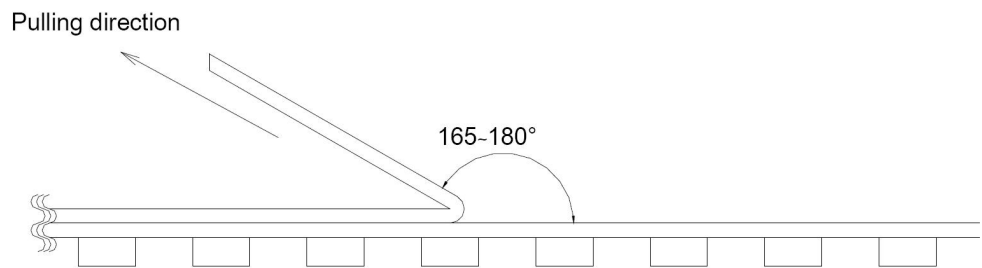
c.) Packing



When a tape end is taken out to the front, sprocket holes becomes right hand side.

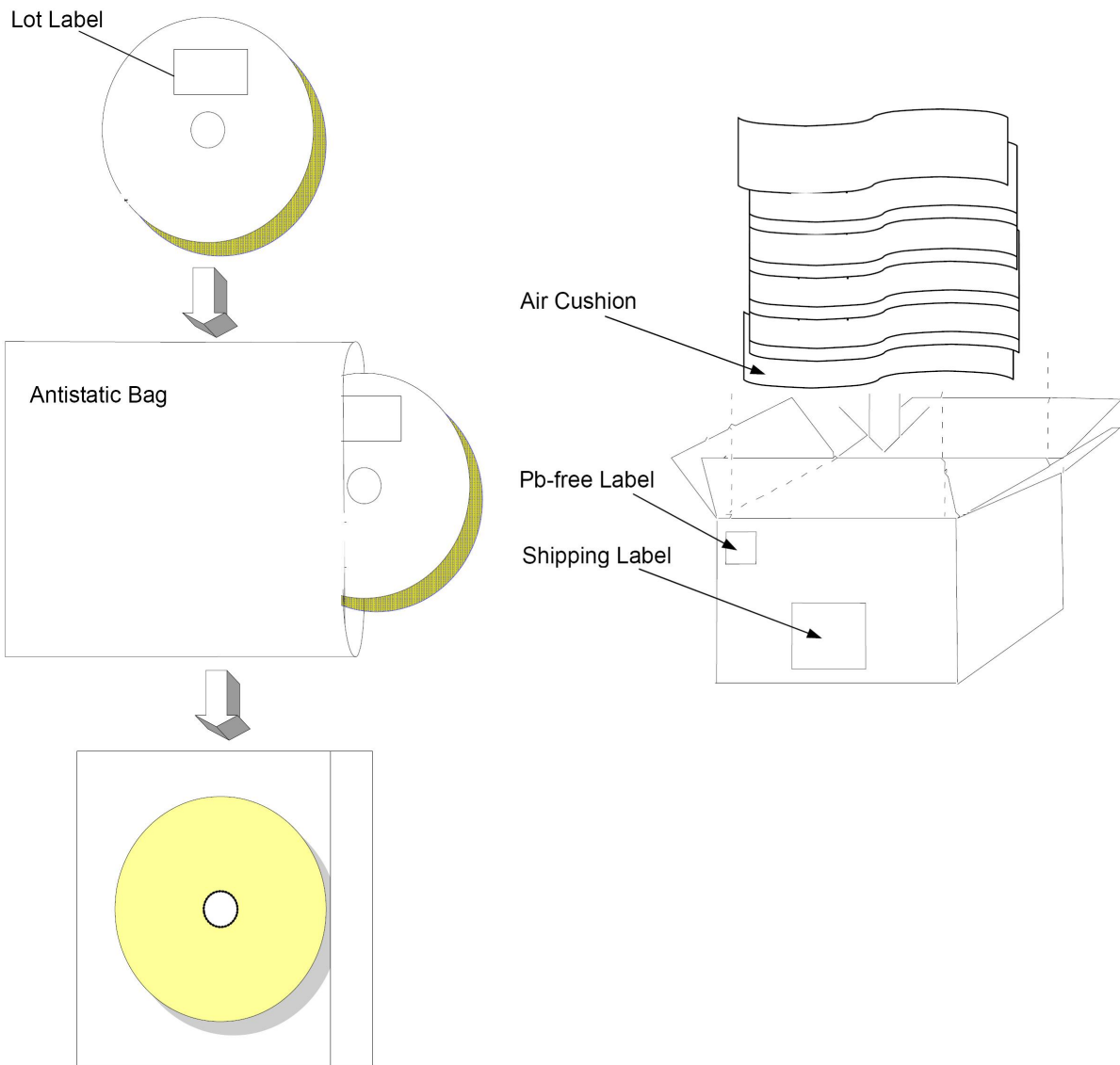
Peel strength

Pulling angle 165~180°, pulling speed at 300mm/min, strength should be 0.2~0.7N.



CHIP SUN TECHNOLOGY CO., LTD		
DESCRIPTION	VCTCXO-SMD2520 38.400MHz ±0.5ppm 3.0V	Page:
DATE	2023-03-24	6/10

d.) Inner& Outer carton



e.) Standard packing quantity

3,000PCS / REEL

CHIP SUN TECHNOLOGY CO., LTD

DESCRIPTION	VCTCXO-SMD2520 38.400MHz \pm 0.5ppm 3.0V	Page:
DATE	2023-03-24	7/10

5. STORAGE ENVIRONMENT

- * Storage the reel at normal temperature and humidity
- * Open the packing just before using.
- * Do not expose the sun.
- * Do not storage with some erosive chemicals.
- * Nothing is allowed to put on the reel or carton to prevent mechanical damage.

6. HANDLING

- * Handle with care to prevent the damage of tape, reel and products.

- ELECTROSTATIC DISCHARGES

This device contains a CMOS IC. Please take precautionary measures against ESD damage.

- SHOCK RELIABILITY

This device contains a quartz crystal, so please do not give too much shock or vibration. Surface mounters can be used for assembling, but be sure to check your machine conditions before using them.

- ULTRASONIC CLEANING

Also be sure to check your cleaning condition of ultrasonic cleaning apparatus.

- TEMPERATURE AND HUMIDITY

We recommend to store and use device under normal temperature and humidity for frequency stability. Condensation may cause this device damages.

CHIP SUN TECHNOLOGY CO., LTD

CHIP SUN TECHNOLOGY CO., LTD		
DESCRIPTION	VCTCXO-SMD2520 38.400MHz \pm 0.5ppm 3.0V	Page:
DATE	2023-03-24	8/10

7. Mechanical Characteristics:

NO.	ITEM	CONDITIONS	REQUIREMENT
7.1	Drop	Natural drop (On concrete) Mounting on the set or test fixture.(Total weight 100g) Height : 150cm Direction : X,Y,Z, 6directions Test cycle : 3cycles Reference specification : EIAJ-ED-4702A Method5	df/f=<±1.0ppm
7.2	Vibration Test	Sweep range : 10~500Hz Sweep speed : 11min/cycle Amplitude : 1.5mm (10~55Hz) Acceleration : 200m/s ² (55~500Hz) Direction : X,Y,Z, 3directions Test cycle : 10cycles Reference specification : IEC 60068-2-6	df/f=<±0.5ppm
7.3	Shock	Acceleration : 1000m/s ² Direction : X,Y,Z, 6directions Duration : 6ms Test cycle : 3cycles/each directions Reference specification : IEC 60068-2-27	df/f=<±0.5ppm
7.4	PCB bend strength	PWB : t=1.6mm Pressure speed : 1.0mm/s Bend width : 1 2 3mm Duration : 10±1s Reference specification : IEC 60068-2-21 Ue1	df/f=<±0.5ppm No visible damage. No leak damage.
7.5	Adherence nature	PWB : t=1.6mm Direction : X,Y, 2directions Pressure : 10N Duration : 10±1s Reference specification : IEC 60068-2-21 Ue3	df/f=<±0.5ppm No visible damage. No leak damage.
7.6	Package strength	Pressure : 10N Duration : 10±1s Reference specification : IEC 60068-2-77	df/f=<±0.5ppm No mechanical damage. No leak damage.
7.7	Gross leak	It is immersed for 3min into +125±5°C Chlorofluorocarbon (CFCs) liquid. Reference specification : IEC 60068-2-17	No continuous air bubbles.
7.8	Fine leak	It shall be measured by the helium leak detector after pressurization for 60min by the pressure of (3.92±0.49) x10 ⁵ Pa in a helium gas atmosphere. Reference specification : IEC 60068-2-17	Less than 1.0x10 ⁻⁹ Pa m ³ /s.
7.9	Solderability	Solder bath temperature : +245±5°C Duration : 3±0.3s Reference specification : IEC 60068-2-58	A new uniform coating of solder shall cover a minimum of 95% of the surface being immersed.
7.10	Resistance to soldering heat	1) Solder iron method Bit size : B(φ3) Bit temperature : +350±10°C Duration : 3+1/-0s /each terminal It shall be measured after 2h at room temperature, humidity. Reference specification : IEC 60068-2-20	df/f=<±0.5ppm dV _{OUT} =<±0.2V _{P-P} No visible damage.
		2) Reflow In refer to temperature profile shown in clause13. Test cycle : 3cycles It shall be measured after 2h at room temperature, humidity. Reference specification : IEC 60068-2-58	df/f=<±1.0ppm dV _{OUT} =<±0.2V _{P-P} No visible damage.

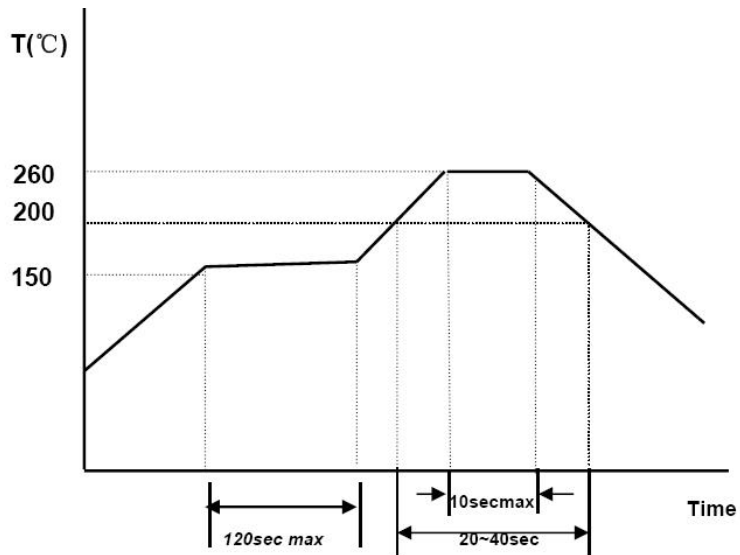
CHIP SUN TECHNOLOGY CO., LTD

DESCRIPTION	VCTCXO-SMD2520 38.400MHz ±0.5ppm 3.0V	Page:
DATE	2023-03-24	9/10

8. Environmental Characteristics:

NO.	ITEM	CONDITIONS	REQUIREMENT
8.1	Low temperature storage	Temperature : $-40\pm 3^{\circ}\text{C}$ Duration : 1000h It shall be measured after 2h at room temperature, humidity. Reference specification : IEC 60068-2-1 Ab	$df/f < \pm 1.0\text{ppm}$ $dV_{OUT} < \pm 0.2\text{VP-P}$ The electrical characteristics are satisfied.
8.2	High temperature storage	Temperature : $+85\pm 2^{\circ}\text{C}$ Duration : 1000h It shall be measured after 2h at room temperature, humidity. Reference specification : IEC 60068-2-2 Bb	$df/f < \pm 1.0\text{ppm}$ $dV_{OUT} < \pm 0.2\text{VP-P}$ The electrical characteristics are satisfied.
8.3	Humidity	Temperature : $+85\pm 2^{\circ}\text{C}$ R.H. 85 \pm 5% Duration : 1000h It shall be measured after 2h at room temperature, humidity. Reference specification : IEC 60068-2-3	$df/f < \pm 1.0\text{ppm}$ $dV_{OUT} < \pm 0.2\text{VP-P}$ The electrical characteristics are satisfied.
8.4	HTB	Temperature : $+85\pm 2^{\circ}\text{C}$ Duration : 1000h BIAS : Max value of supply voltage It shall be measured after 2h at room temperature, humidity. Reference specification : IEC 60068-2-2 Bb	$df/f < \pm 1.0\text{ppm}$ $dV_{OUT} < \pm 0.2\text{VP-P}$ The electrical characteristics are satisfied.
8.5	THB	Temperature : $+40\pm 2^{\circ}\text{C}$ R.H. 90~95% Duration : 1000h BIAS : Max value of supply voltage It shall be measured after 2h at room temperature, humidity. Reference specification : IEC 60068-2-3	$df/f < \pm 1.0\text{ppm}$ $dV_{OUT} < \pm 0.2\text{VP-P}$ The electrical characteristics are satisfied.
8.6	Thermal shock	Thermal shock : $-40\pm 3^{\circ}\text{C}$: 0.5h -- $+85\pm 2^{\circ}\text{C}$: 0.5h Test cycle : 200cycles Shift time : 2~3min It shall be measured after 2h at room temperature, humidity. Reference specification : IEC pub.68-2-14. Na	$df/f < \pm 1.0\text{ppm}$ $dV_{OUT} < \pm 0.2\text{VP-P}$ The electrical characteristics are satisfied.

INFRARED REFLOW TEMP. PROFILE:



CHIP SUN TECHNOLOGY CO., LTD

DESCRIPTION	VCTCXO-SMD2520 38.400MHz $\pm 0.5\text{ppm}$ 3.0V	Page:
DATE	2023-03-24	10/10