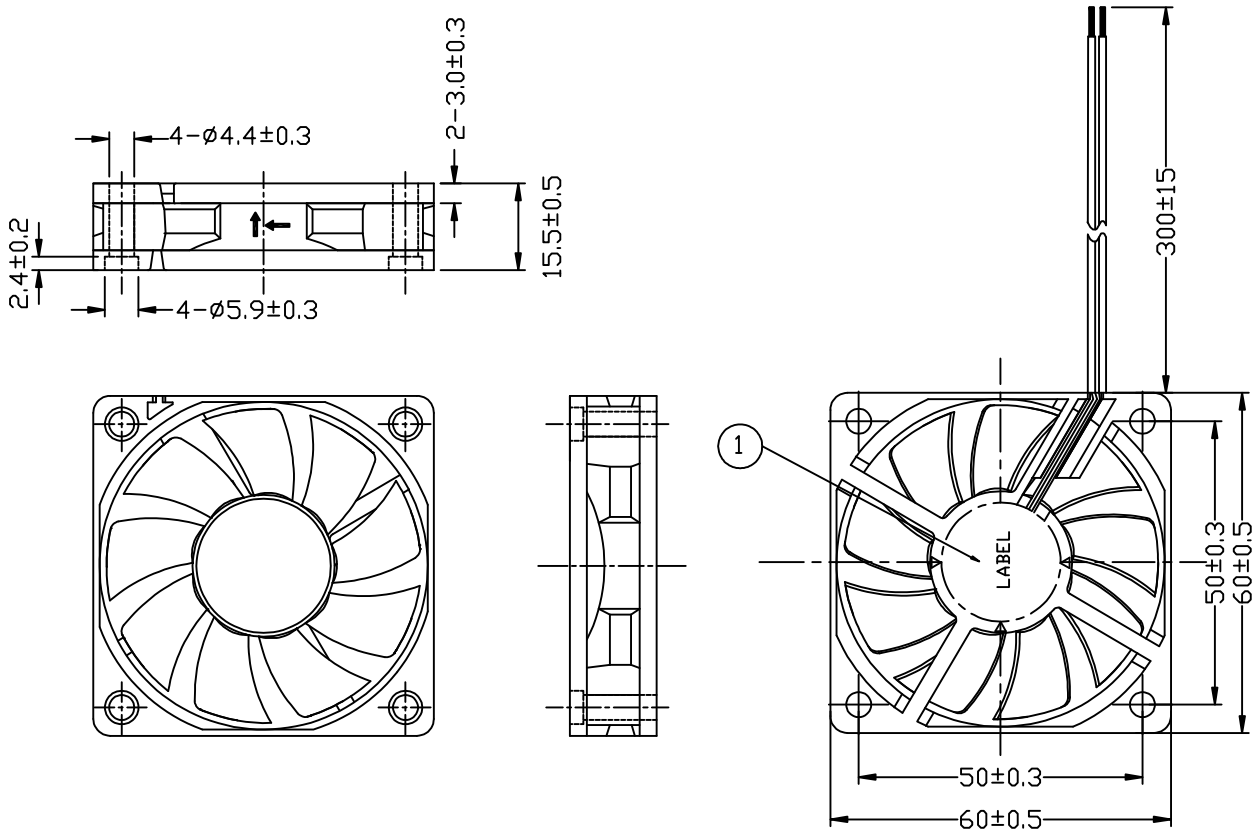


10. Dimension Drawing

Unit: mm



Lead Wire: UL1007;24AWG; Red Positive(+); Black Negative(-);

No.	Qty	Part Name	Description
①	1	Label	