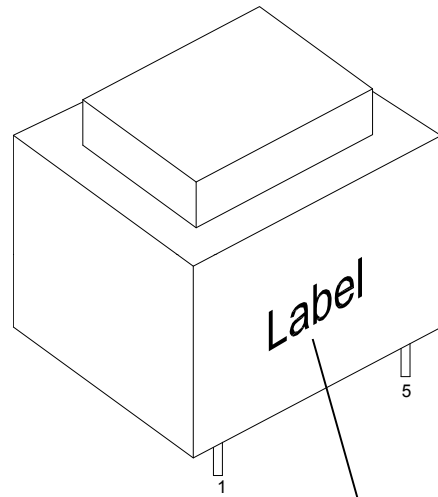
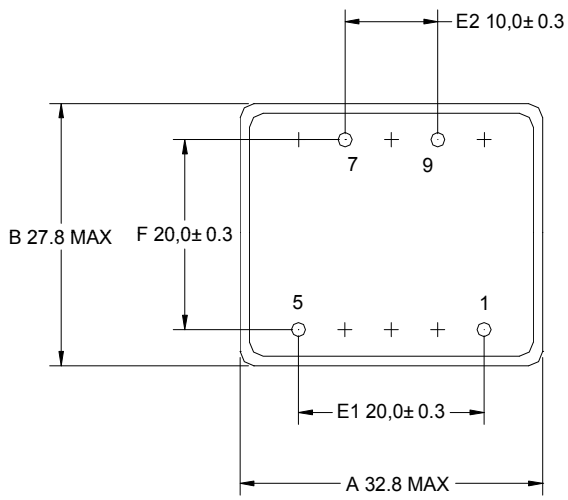
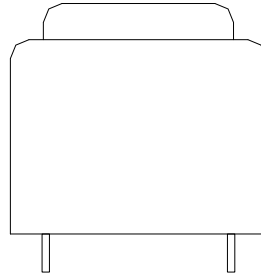
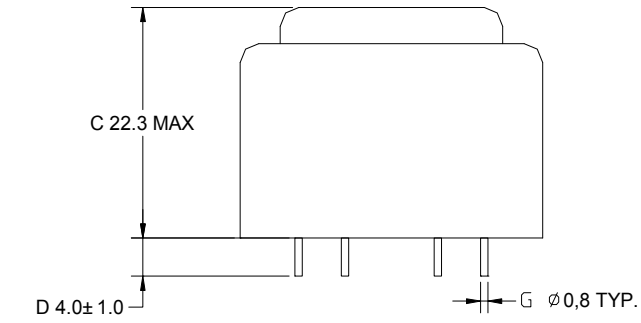




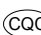
TR Z01.50/2x15b II

Outline Drawing

1. Physical Dimension (UNIT: mm)



PRI	230V~	50/60Hz	1-5
SEC	15V~	0.75VA	6-7
	15V~	0.75VA	9-10
			ta 70/B

①    ⑤ 22

TR Z01.50/2x15b II

Electrical Performance

1、SAFETY STANDARD: EN61558 CORE SIZE: EI-30

2、ELECTRICAL PERFORMANCE:

2-1. PRIMARY RATED VOLTAGE: AC 230 V / 50 Hz

EXCITING CURRENT(I): 15 mA MAX. LOSS POWER/(P0): 1.0 W MAX.

2-2. SECONDARY RATED VOLTAGE AND CURRENT:

	UNLOAD VOLTAGE (I)	LOADING VOLTAGE	RATED CURRENT	DC RESISTANCE T=25°C
P: 1--5				4000 Ω MAX
S1: 6--7	25VAC MAX	15VAC ±10%	50mA	112 Ω MAX
S2: 9--10	25VAC MAX	15VAC ±10%	50mA	98 Ω MAX

3、INSULATION RESISTANCE TEST:

500V DC 100MΩ min. FOR 1 MIN. (PRODUCTION LINE FOR 2S.) (PRI-SEC. & PRI.-CORE)

4、HI-POT TEST (S):

SHALL WITHSTAND WITHOUT BREAKDOWN

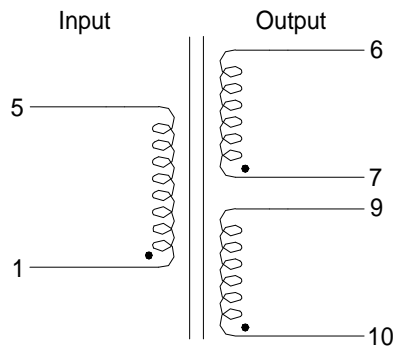
AC 3.75 KV FOR 1 MIN. OR AC 4.2 KV FOR 1S. (PRI.-SEC. & PRI.-CORE.)

(CUT-OFF CURRENT 1 mA)

5、TEMPERATURE RISE TEST:(Ta=25°C INPUT 230V 50Hz)

PRI. & SEC. WINDING' S TEMPERATURE RISE 45°C MAX. AT RATED LOAD. (RESISTANCE METHOD)

6、ELECTRICAL SCHEMATIC:



7、MAJOR MEASUREMENT FACILITIES:

A、DC-RESISTANCE METER:TH2512B

B、VOLTMETER:GDW4033A

C、AMPEREMETER:GDW4033A

D、TURN RATIO DETECTOR:YG-108R

E、HI-POT TESTER:CS5603

F、INSULATION-RESISTANCE METER:CS5603

G、MILIVOLTMETER:FLUCK 287

H、MULTI-FUNCTION OSCILLOSCOPE:DS-8608A

✓
✓
✓
✓
✓
✓

8、THE ABOVE-MENTIONED MEASUREMENT IS BASED ON THE BEGINNING OF AMBIENT TEMPERATURE.

9、Net Weight: 82 g/PCS