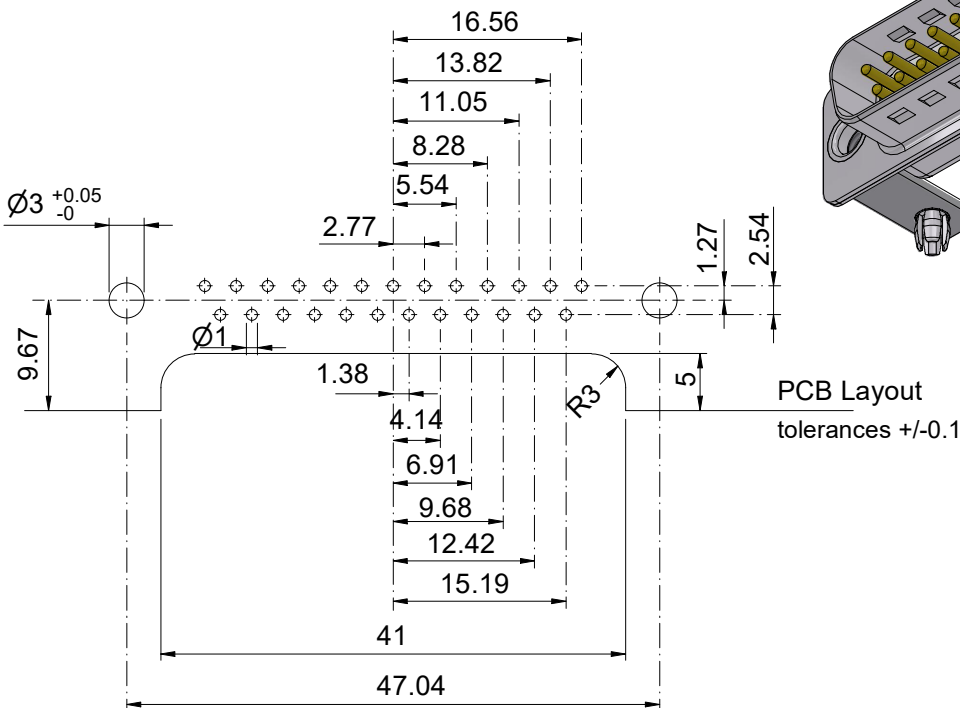
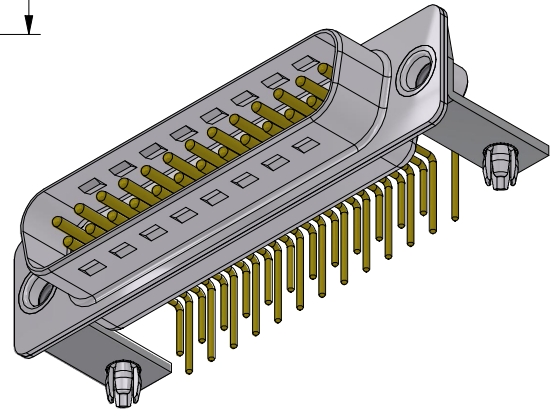
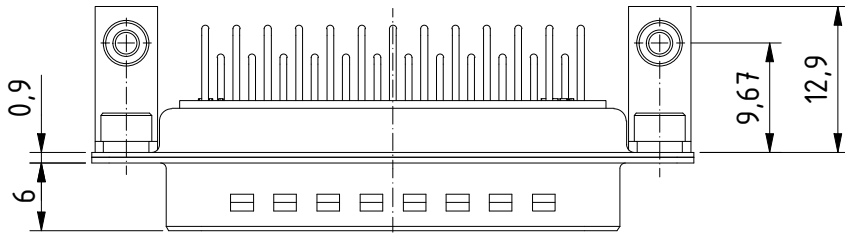
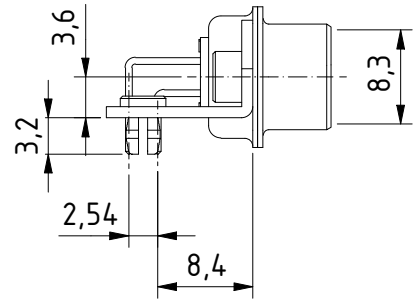
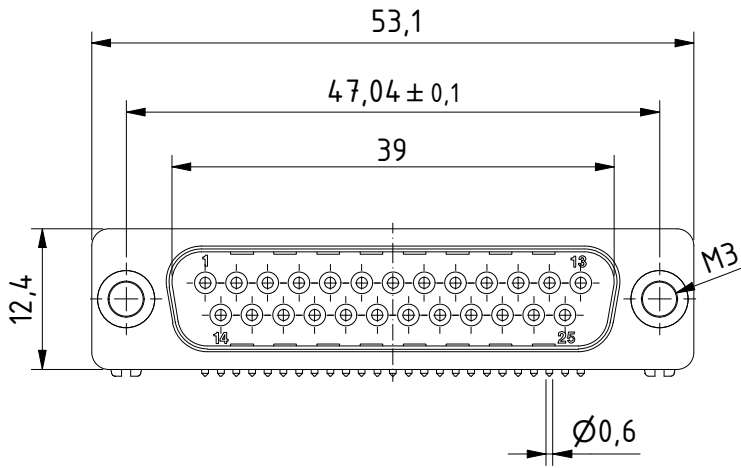


RoHS compliant



Product is suitable for Wave Solder Process

MATERIALS

- Insulator: Thermoplastic UL 94-V-0 white
- Contact: Machined / Copper alloy
- Contact finish: Quality class 2
- Shell: steel tin plated

CHARAKTERISTICS

- Test voltage: 1000 VAC
- Current rating: 7.5A
- Contact resistance: according to IEC 60512
- Insulation resistance: >5GΩ
- Temperature range: -55° to +125°C

General tolerances (Deltron standard)		size in mm		tolerances	
> 0.5	up to 3	> 3	up to 6	±0.1	±0.2
> 6	up to 30	> 30	up to 120	±0.2	±0.3

	All dimensions in mm	Rev.	Rev.	Rev.	DE0xxxxx part no.		
		Rev.	Rev.	Rev.	drawn	01.05.2023	tp
DTS25PYCE/2M447M3				1.5:1 scale	checked		
				approved			
				Industrie Neuhof 8c CH-3422 Kirchberg www.d-sub.swiss		K065654 drawing no.	