

The information provided herein is from CONNELY Electronic Co., Ltd. and is confidential. Any disclosure to a party other than the recipient is prohibited. The intellectual properties and its rights contained herein, including but not limited to, trademarks, patents, copyrights, trade secrets, and technical know-how, are owned exclusively by CONNELY or its affiliates. Unauthorized use of this information in any format or manner. CONNELY may enforce its intellectual property rights at its own discretion; failures or delays to exercise such rights does not constitute a waiver of such rights.

1 2 3 4 5 6 7 8

Dept	
Qty	
DC	1
ED	1
IE	1
ISO	1
PD	1
R&D	1
SD	1
QA	1
QC	1
QE	1

B	
QA	
QC	
QE	

C	
QA	
QC	
QE	

D	
QA	
QC	
QE	

E	
QA	
QC	
QE	

F	
QA	
QC	
QE	

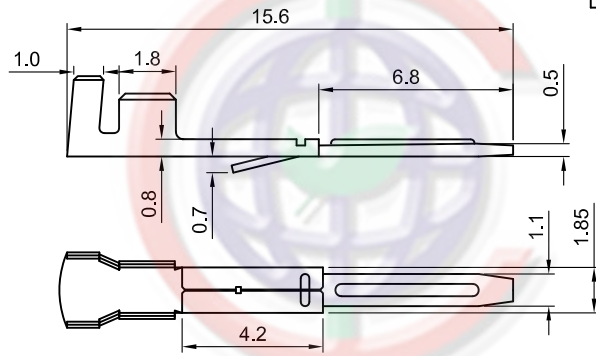
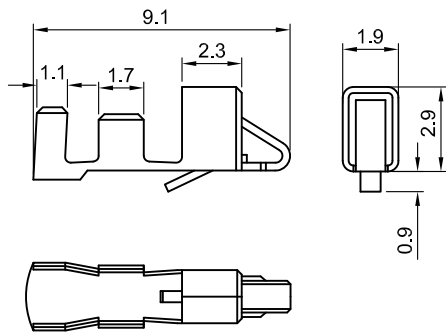
G	
QA	
QC	
QE	

H	
QA	
QC	
QE	

REV.	DESCRIPTION	DRAWN	CHECKED	APPROVED
A	NEW RELEASE	LL 07/05/06'		LJC 07/05/06'
B	P/N CODE CHANGE	JLZ 03/03/15'	HZW 03/03/15'	LJC 03/03/15'
C	DRAWING UPDATE	JLZ 08/07/19'		

Female Terminal

Male Terminal



NOTES:

1. SPECIFICATIONS

- . Housing material: NYLON 66
- . Wire range: AWG#28-#22
- . Rated voltage: 250V
- . Rated current: 3A
- . Contact resistance: 30mΩ Max
- . Insulation resistance: 1000MΩ Min
- . Withstanding voltage: 500V, AC 1 minute
- . Temperature range: -25 ~ +85°C

2. PRODUCT NUMBER CODE:

I-DS1068-02 - X C X 0 X

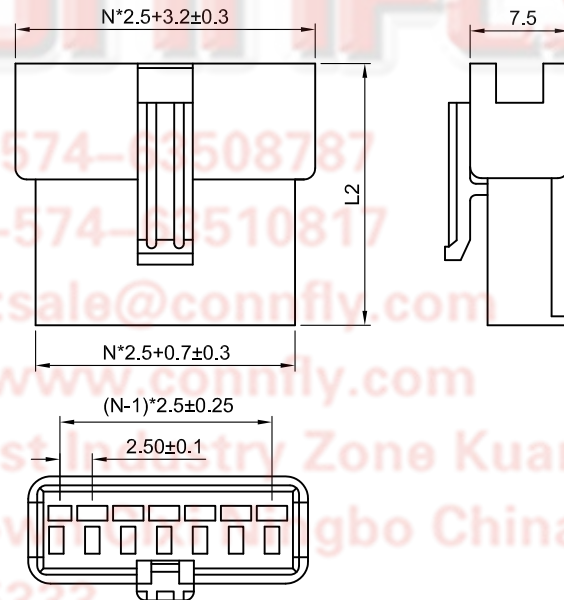
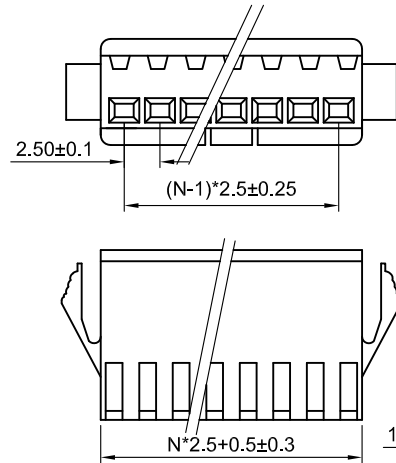
X: No. of Housing
 02~12
 C: Housing Color
 W: White
 T: Transparent
 B: Black
 X: Housing type
 S: Female Housing
 P: Male Housing

T-DS1068-02 - X C X 0 0

X: Terminal Plating
 6: Tin
 8: Full gold flash
 X: Terminal type
 S: Female Terminal
 P: Male Terminal

Female Housing

Male Housing



N=No. of contact

Pos	Dim.		
	H1	L1	L2
2~5	6.7	12.0	18.6
6~12	7.2	12.2	18.35

GENERAL TOLERANCE		ANGLE TOLERANCE	
X.	±0.60	X.	±5°
.X	±0.38	.X	±3°
.XX	±0.25	.XX	±2°

PROJECTION		TITLE	P.C.B CONNECTOR 2.5mm SM TYPE	
UNITS	mm	SHEET	A4	
SHEET SIZE	A4	SERIES	DS1068-02 SERIES	

DRAWING TYPE	CUSTOMER			
SCALE	1:1	SHEET	1 OF 1	
DRAWING NO.	C-DS1068-02-XXXXX-C			

晨翔电子有限公司
CONNFLY CONNELY ELECTRONIC CO. LTD

1 2 3 4 5 6 7 8