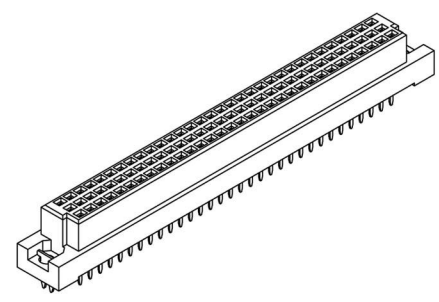
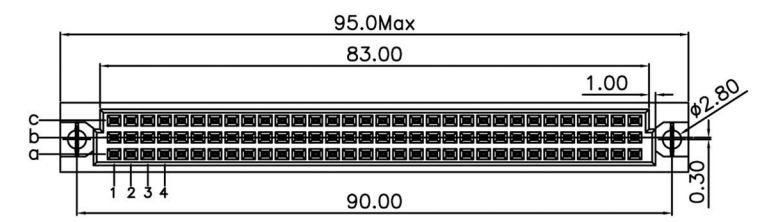


1 2 3 4 5 6 7 8

A



**Material:**

Housing: PBT,UL94V-0,Beige.  
 Contacts: Phosphor Bronze.  
 Lock: Phosphor Bronze.  
 Gold Plated on Contact Area and 80u" Min Tin or Gold Flash Plated on Solder tail over 50u"Min Nickel.

**Electrical Characteristics:**

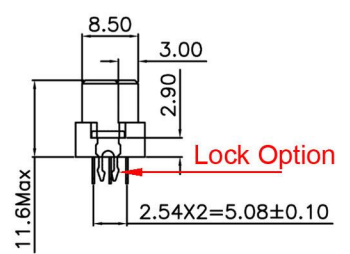
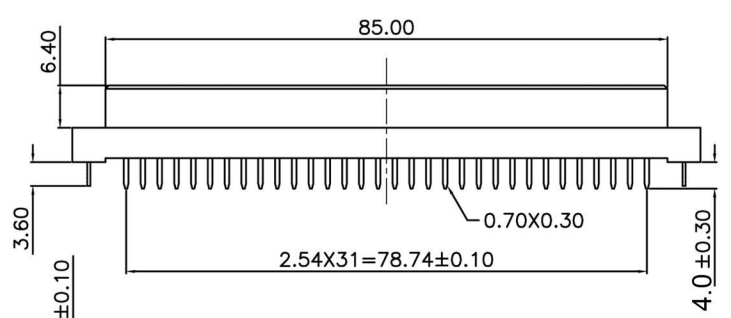
Current Rating: 2 AMP.  
 Dielectric Withstanding Voltage: AC 1000V For 1 minute.  
 Insulator Resistance: 1000MΩ min. at DC 500V.  
 Contact Resistance: 20mΩ max. at DC 100mA.  
 Operating Temperature: -55°C~+125°C .

**\*RoHS Compliant**

B

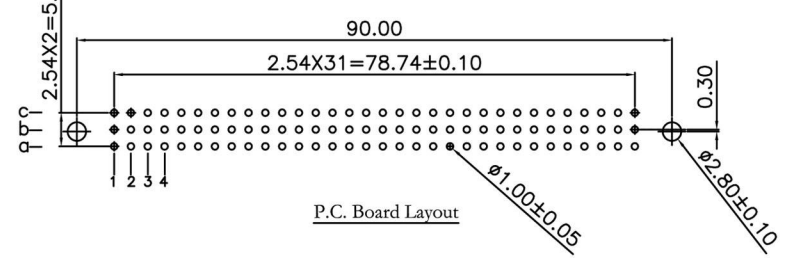
C

D



E

F



2.54mm	96	a b c		C4163-96FFASSOR
	64	a - c		C4163-64FDASSOR
	32	a - -		C4163-32FXXXSOR
Pitch	Position	Rows With Contacts	Contact Arrange	P/N

G

**C 4163 — 32 M D A R S O R**

- 1. PRODUCTS: C:Connector
- 2. SERIES NO.: 4163
- 3. CONTACT NO.: 16, 24, 30, 32, 48, 64, 96
- 4. CONTACT TYPE: M:Male, F:Female, A:Male W/ Boardlock, B:Female W/ Boardlock
- 5. CONTACT OPTION: A:Single Row(A), B:Single Row(B), C:Dual Row(A+B), D:Dual Row(A+C), E:Dual Row(B+C), F:Triple Row(A+B+C)
- 6. BODY OPTION: A:Long Body (32P Per Row), B:Short Body (16P Per Row)
- 7. MOUNTING OPTION: S: Straight(4.0mm Dip Length), A: Straight(2.5mm Dip Length), B: Straight(13.0mm Dip Length), C: Straight(17.0mm Dip Length), D: Straight(4.6mm Press Fit Only), E: Straight(6.3mm Press Fit Only), R: Right Angle(2.9mm Dip Length), I:I.D.C. Type
- 8. CONTACT PLATING: S: Selective Gold, G: Gold Flash, A: Gold 50", B: Gold 100", C: Gold 150", D: Gold 300"
- 9. OTHERS: O: No Option, P: Press Fit, C: W/Cover Back On Pin, L: W/Locking Clip, D: W/Cover Back On Pin & Locking Clip, 10. R: ROHS

H

**RoHS Compliant**

**HSM 玄茂科技股份有限公司**  
**HSUAN MAO TECHNOLOGY CO., LTD.**

APPD. 核准		TOLERANCE x = ±0.5 .x = ±0.25 .xx = ±0.15	PART NAME 品名 DIN41612 2.54mm DIP TYPE STRAIGHT TYPE XXP SIZE-X+X+X XXP FEMALE DIP LENGTH=4.0mm SELECTIVE GOLD PLATING ROHS
DWG. 製圖 Hedy	SCALE 比例 參考	SIZE. 紙張尺寸 A 4	PART NO. 料號 C4163-XXFXXSSOR
DATE 制表日 2022/05/05	UNIT 單位 MM	REV. 版次 A	
	PAGE 張數 1 / 1		

1 2 3 4 5 6 7 8