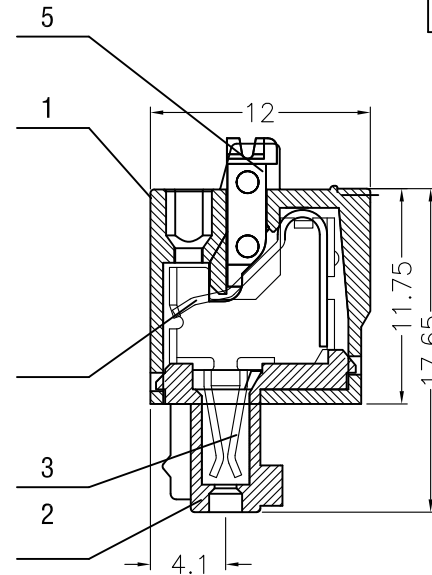
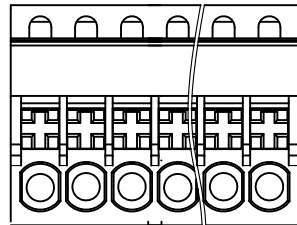
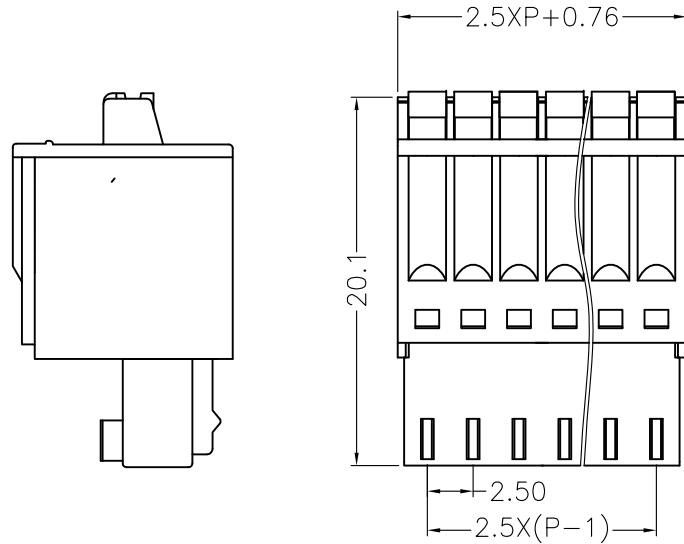


序号/NO	名称/TITLE	图纸号/DWG. NO.	材料/MATERIAL
1	Housing/塑壳	QJ/XYT-B100100	PA66(UL94-V0)
2	Cover / 塑盖	QJ/XYT-B100200	PA66(UL94-V0)
3	Contact/端子	QJ/XYT-C100100	Phosphor Bronze,Sn Plated
4	Spring/弹片	QJ/XYT-C200100	Stainless steel
5	Button/按钮	QJ/XYT-B300100	PA66(UL94-V0)



Note

Poles: P=(2P~24P)

Pitch: 2.5mm

Use and Performance

Wire range:28-20AWG, 0.5mm²

Strip length:5-6mm

Rated voltage:125V

Rated current:4A

Withstanding voltage:AC2000V/Min

Ambient temperature:-40℃~+105℃

Undeclared tolerance:DIN16901-140B

未注公差/Undeclared tolerance:DIN 16901-140B															
尺寸(mm) Dimension(mm)	0 ~ 1	1 ~ 3	3 ~ 6	6 ~ 10	10 ~ 15	15 ~ 22	22 ~ 30	30 ~ 40	40 ~ 53	53 ~ 70	70 ~ 90	90 ~ 120	120 ~ 160	160 ~ 200	200 ~ 250
	±0.10	±0.11	±0.12	±0.14	±0.17	±0.20	±0.24	±0.28	±0.33	±0.40	±0.50	±0.60	±0.75	±0.95	±1.15

设计/DRAWN BY	绘图/DRAWING BY	审核/CHECKED BY	批准/APPROVED BY	未注公差 General Tolerance	
		名称/TITLE	图纸号/DWG. NO.	x. ±0.2	x.° ±2°
		XY2500FT-2.5 产品图	QJ/XYT-A100800	.x ±0.1	.x° ±1°
比例/SCALE:		版本/REV	页序/SHEET	.xx ±0.05	.xx° ±0.5°
		A0	1 of 1	.xxx ±0.01	单位/Units: mm