

Specification Sheet

Electrical Rating at 25°C
 Max Interrupt Voltage: 500 Vac
 Max Operating Voltage: 60 Vdc
 Maximum Interrupt Current: 3 A

Insulating Material:
 meets UL94 V-0 Requirements

Lead Material:
 Tin plated copper, 0.6 mm

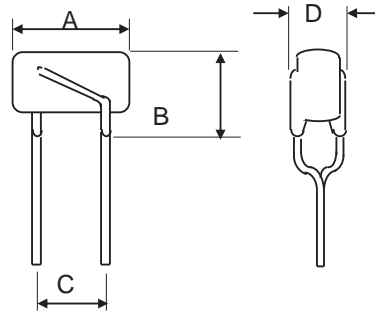


TABLE I. DIMENSIONS:

| | A MAX | B MAX | C TYP | D MIN |
|----|----------|----------|-----------|----------|
| mm | 15.0 | 15.0 | 5.1 ± 0.5 | 7.5 |

TABLE II. PERFORMANCE RATINGS:

| Model | V _{max} (V) | I _{max} (A) | I _{hold} @25°C (A) | I _{trip} @25°C (A) | P _d Max. (W) | Maximum Time To Trip | | Resistance | | |
|-----------|-------------------------|-------------------------|-----------------------------------|-----------------------------------|-------------------------------|-------------------------|---------------|---------------------------|---------------------------|---------------------------|
| | | | | | | Current (A) | Time (Sec) | R _{i min} (Ω) | R _{i max} (Ω) | R _{1 max} (Ω) |
| Bp150-500 | 500 | 3 | 0.150 | 0.500 | - | 1.0 | 10 | 5.5 | 13 | 19.5 |