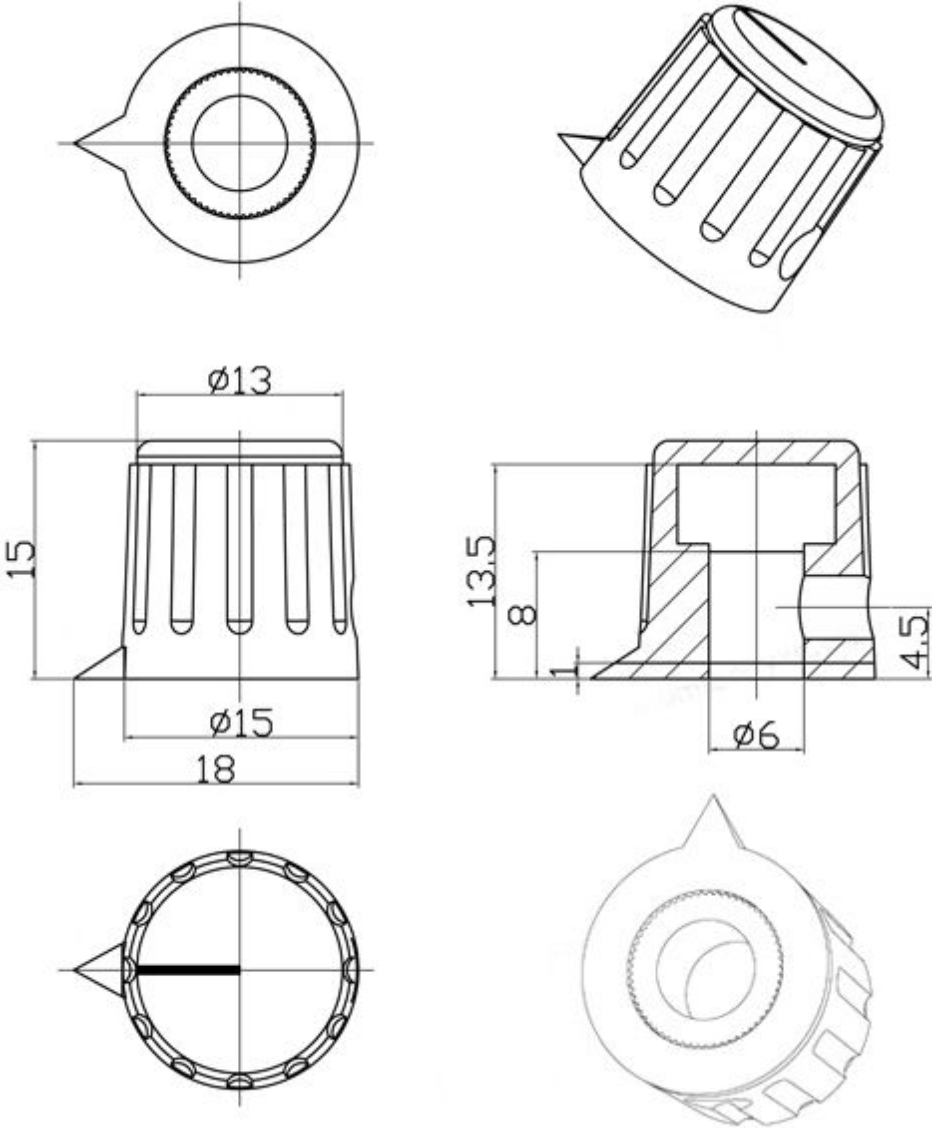


Part NO.	G 204B_x	Drawing	
Dimensions	15x15mm		
Material	Copper+ABS		
Color	Black body Blue/Green/Red/White/Yellow Top		
Shaft Hole	6.35mm		
