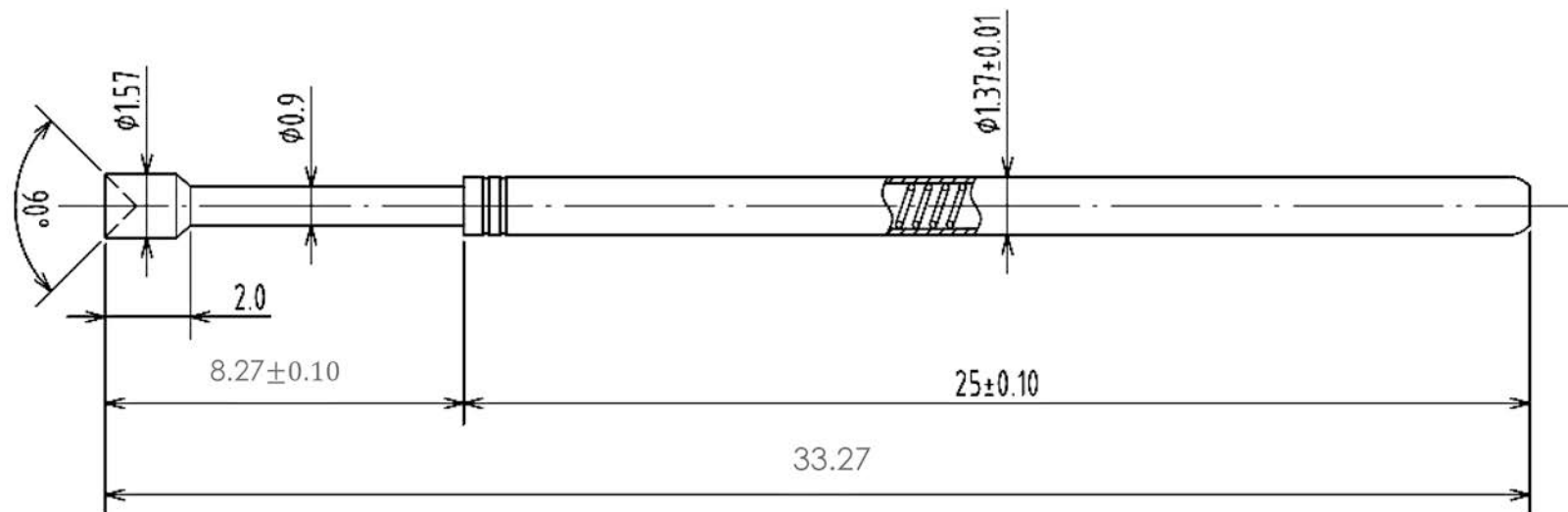


REVISIONS

NO.	DATE	DESCRIPTION	APPROVE
-----	------	-------------	---------

Mechanical

- Mechanical Life: 200K
- Operating Temp: -50°C ~ 150°C



Electrical Characteristics

- Current Capacity: 5A Continuous
- DC Resistance: <math>\lt; 100\text{m}\Omega</math> (AVG)

NO.	PRODUCT	MATERIAL	PLATING	HARDNESS	REMARK	TOLERANCE DECIMALS	Unit	Scale	Spring Force( $\pm 20\%$ )	Part Name
5							mm	60:1	Maximum	IT100-A
4									6.35(mm)	
3	SPRING	SUS	-			X.X			Maximum	File No
2	BARREL	PhBr	Au/Ni			X.XX		2019/03/02	(gf)	
1	PLUNGER	BeCu	Au/Ni			X.XXX		Jay	Work.Stroke	
						ANGLES		Design	4.00(mm)	
						0	$\pm 3^\circ$	Max	Work.Stroke	
						0.0	$\pm 1^\circ$	Approved	200(gf)	
								Cherry	(gf)	A/0