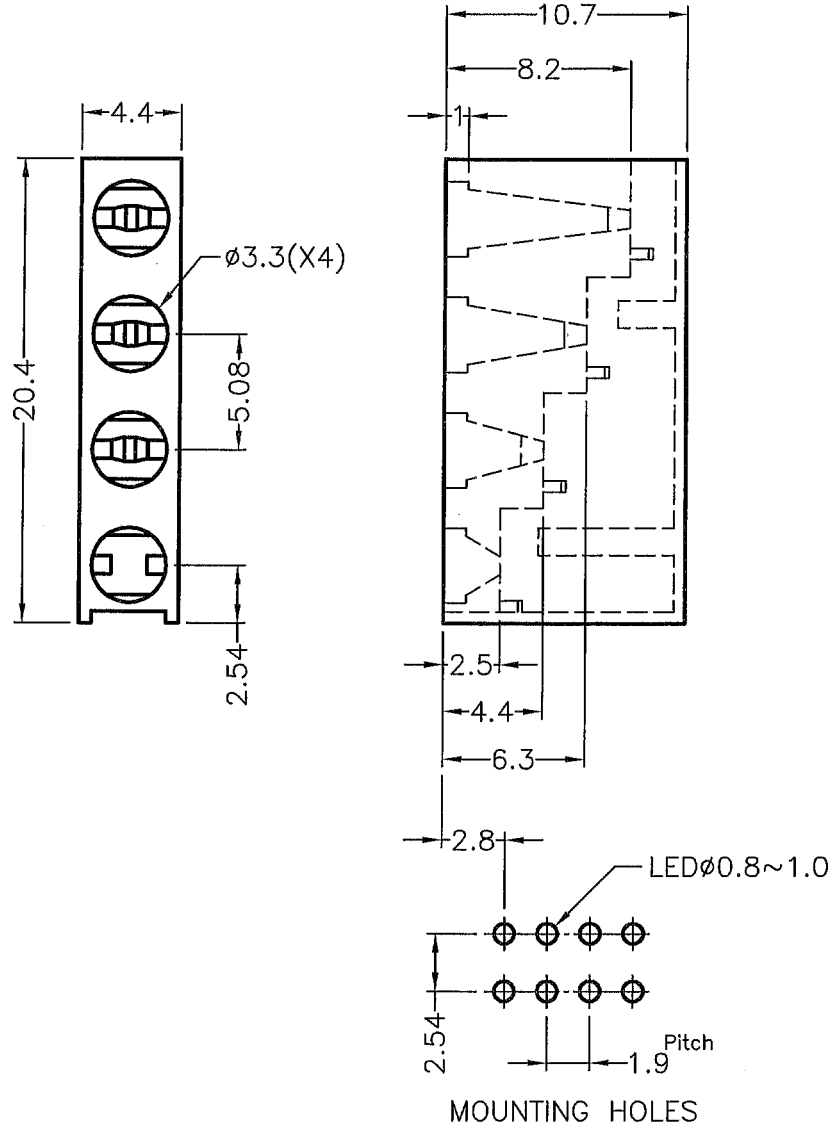

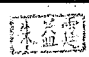


DIM.	TOL
5mm DOWN	±0.2
5~20mm	±0.3
20~40mm	±0.4
40~60mm	±0.5
60~100mm	±0.8
100mm UP	±1.0

REVISIONS			
REV	DESCRIPTION	DATE	BY



 <p>康揚企業股份有限公司 KANG YANG HARDWARE ENTERPRISE CO., LTD. 康揚塑膠(東莞)有限公司 KANG YANG PLASTIC(DONG GUAN) CO., LTD. 康哲電腦配件(吳江)有限公司 KANG CHE COMPUTER COMPONENTS(WUJIANG) CO., LTD.</p>	TITLE LED SPACER SUPPORT		SPEC. DWG.	
	MATERIAL NYLON 66 UL94V-2 or EQUIVALENT		DATE 1999.01.07	
	FINISH		DRAWN 林秀儉	
	COLOR BLACK		CHECK 	
PART NUMBER LED-340	DRAWING NUMBER LED-340H		UNLESS OTHERWISE SPECIFIED TOLERANCE SEE ABOVE	
SIZE A4	SCALE 3:1	UNIT mm	REV B	APPROVED 