

# LED Automotive Light Series Technical Data Sheet

Model No.: L-ALXXDA36R



### Features:

- ◇ High intensity.
- ◇ Low power consumption.
- ◇ Long life.
- ◇ Voltages available: 12V DC.
- ◇ Available for all color.
- ◇ Easy-equipped.

### Description:

It is has high intensity by using High brightness LED. The colors of lighting can be white, warm white, red, yellow, blue, green and other colors.

### Application:

- ◇ Entertainment Lighting.
- ◇ Architectural lighting.
- ◇ City Beautification.
- ◇ Landscape lighting.
- ◇ Furniture decoration.
- ◇ Other light sources.

### Device Selection Guide:

Part No.	Color	Q'ty of LEDs (pcs)	Color Temp / Wavelength Typ (kelvin/nm)	Total Lumens Typ (lm)
L-ALW6DA36R	Warm White	36	3000K	44
L-ALWDA36R	White	36	8000K	47
L-ALBDA36R	Blue	36	470nm	8
L-ALGDA36R	Green	36	525nm	42.4
L-ALYDA36R	Yellow	36	590nm	15.2
L-ALRDA36R	Red	36	625nm	11

**Absolute Maximum Ratings (Ta = 25°C)**

Items	Symbol	Rating	Units
Operating Voltage	Viac	DC13	V
Operating frequency	Freo	---	Hz
Power Dissipation	Pa	2. 5	W
Operating Temperature	Tope	-30 - +50	°C
Storage Temperature	Tsto	-40 - + 80	°C

**Typical Performance (Ta = 25°C):**

Items	Symbol	Min	Typ.	Max.	Units
Input Voltage	V	11	12	13	V
Beam Pattern	BP	---	360	---	Deg
Total Length	Lmod.	---	44.45	---	mm
Net Weight	Wei.	---	11.7	---	g
Estimated Life [1]	Life	---	50000	---	hour
Optimized Thermal Management (Body Temperature)	/	---	---	45	°C

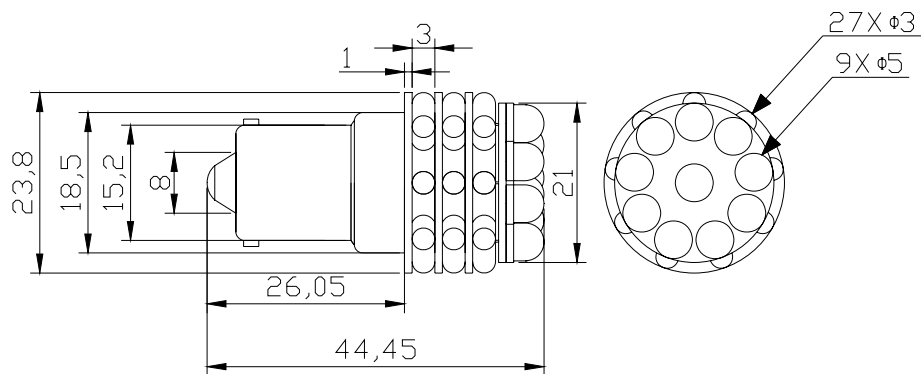
**Notes:**

- [1] The BA9S base automotive light can work 4-8 hours per day, and the lifetime can reach 50,000 hours, even longer. All the parameters are tested by Lucky Light's equipment.
- Rank ratings will be determined by Lucky Light, if you have any request or queries for Lucky Light products, please directly contact salesman.
- The brightness and forward voltage can be designed according to customer specifications.
- Specifications are subject to change without notice.

Product picture



Product Dimensions:



Notes:

1. All dimensions unit in mm.
2. The tolerance is +/- 0.2mm unless otherwise noted.