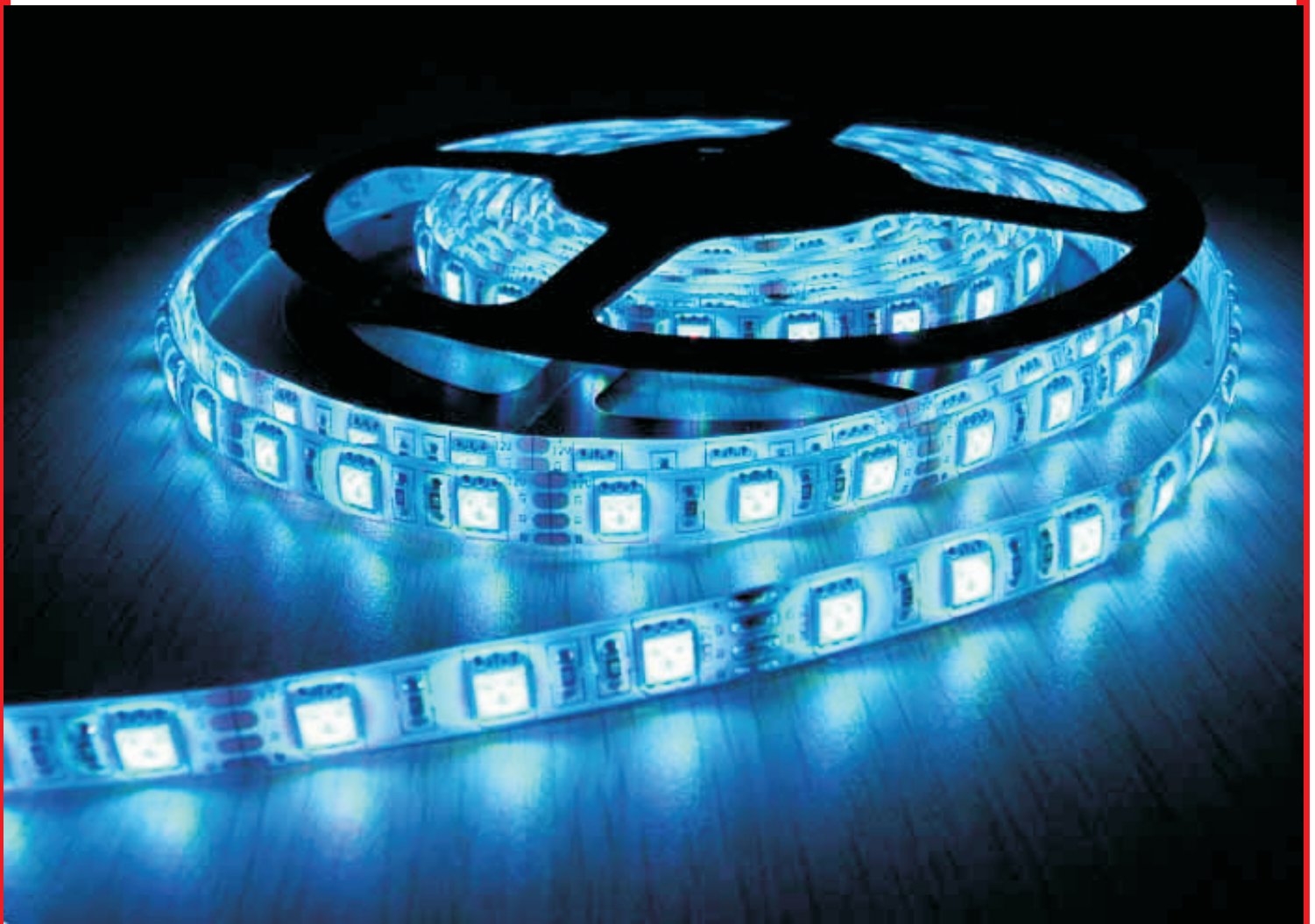
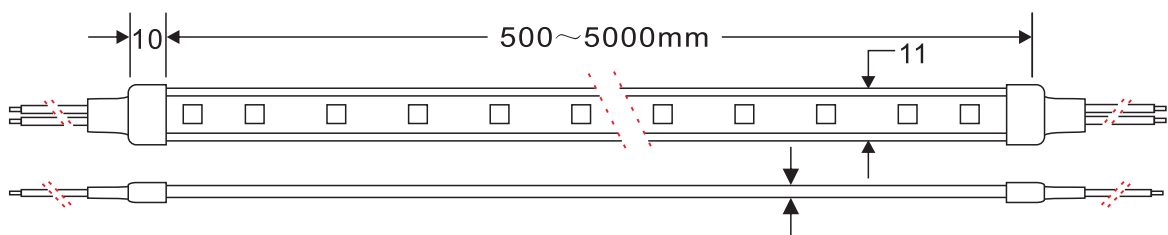
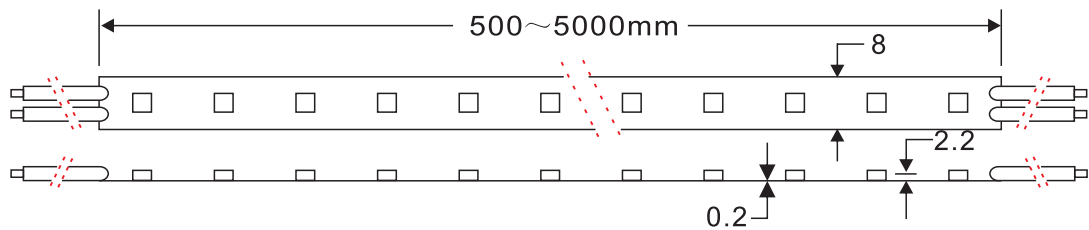
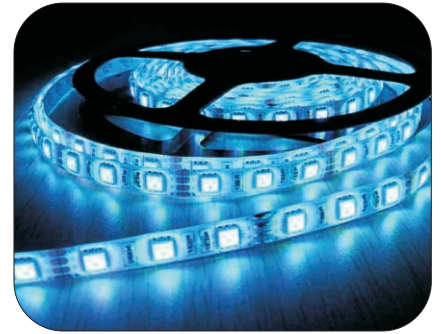
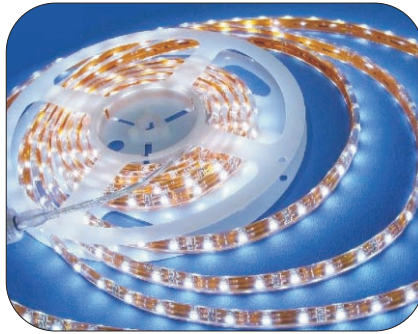
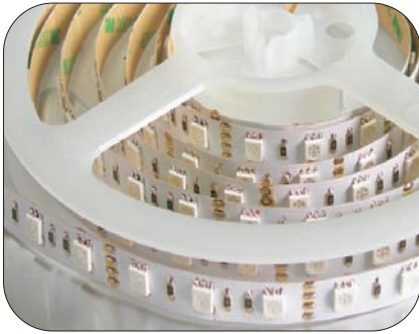


LED Strip light specifications



5050SMD

1- Pictures and size of 5050 LED Strip



2- Color Options for 5050 LED Strip

Cool White	Normal White	Warm White	Amber	Red	Green	Blue	Yellow	Orange	Violet	Purple	RGB	RGB plus one color	Cool white Warm white	Running RGB
CW	NW	ww	A	R	G	B	Y	O	V	P	RGB	RGB+ CW/WW	CW+WW	LED fake Symphony of Lights
6000-6500K	4100-5000K	2700-3500K	600-605nm	620-625nm	518-521nm	468-471nm	588-590nm	603-606nm	400-405nm	500-550nm	----	----	4000-5000K	----

3- Colors and width of PCB board, quantity of SMD for 3528 LED strip

PCB Color \ PCB Width Quantity of SMD	10MM	12MM
	White PCB	30LED.60LED. 48LED
Yellow PCB	30LED.60LED. 48LED	54LED (running RGB)
Black PCB	30LED.60LED.	54LED (running RGB)

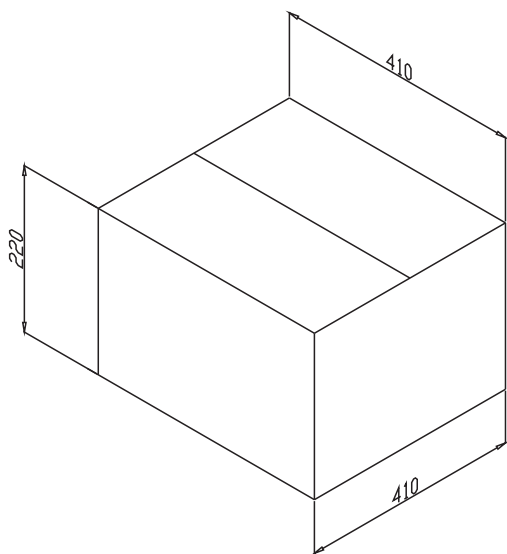
4 - Optional IP rates for 5050 LED strip

non waterproof (IP20)	F1 (IP65)	F2 (IP54)	F3 (IP65)	F5 (IP68)
Naked PCB (indoor only)	PVC tube U form covered with silicon	Glue on the surface	PVC tube no glue inside	Waterproof tube fulfilled with silicon

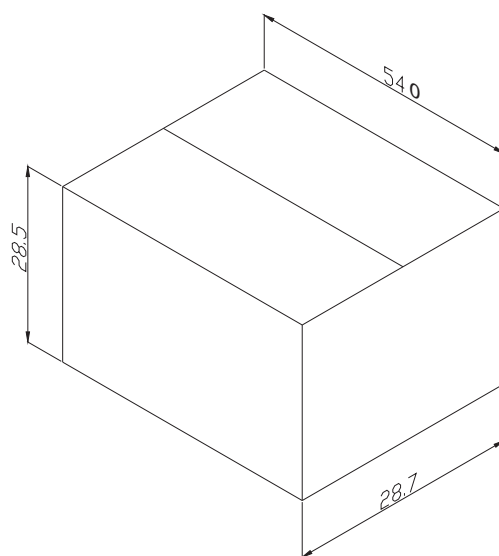
5 - Options of the wires on both sides of the strip

RGB single wires	4-core RGB insulation wires	Transparent 4-core waterproof DC wires	5.5*2.1 black male and female insulation wires	SM4P male and female wires	Double insulation wires	Transparent 2-core waterproof DC wires	Black male and female doublings	Black and red single wires (single color only)
White 4-core waterproof RGB wires	RGB 4-pin male and female connector	Running RGB 10 loops male and female connector	Red and black doublings	Red, green, blue and black doublings	Dual bamboo joint like doublings			

6 - Normal packages of 5050 LED strip

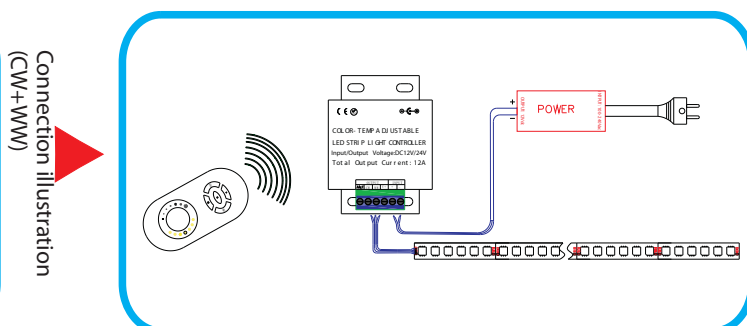
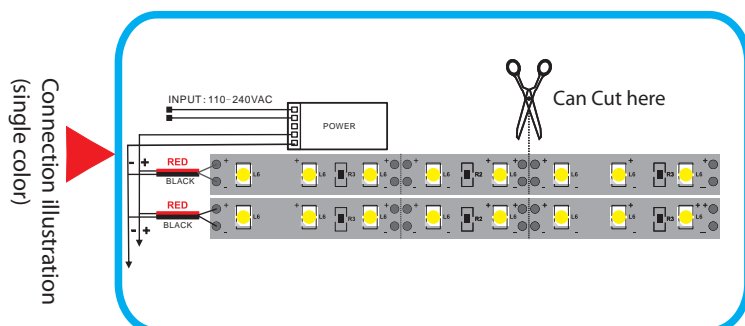
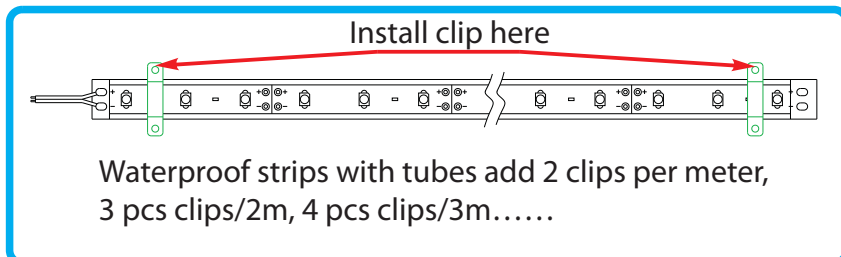
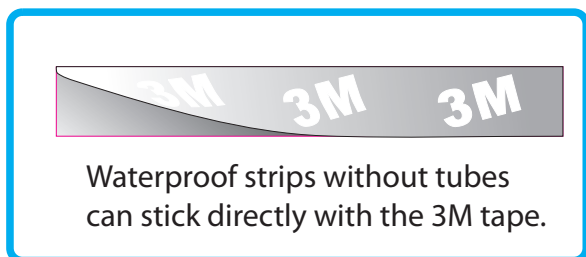


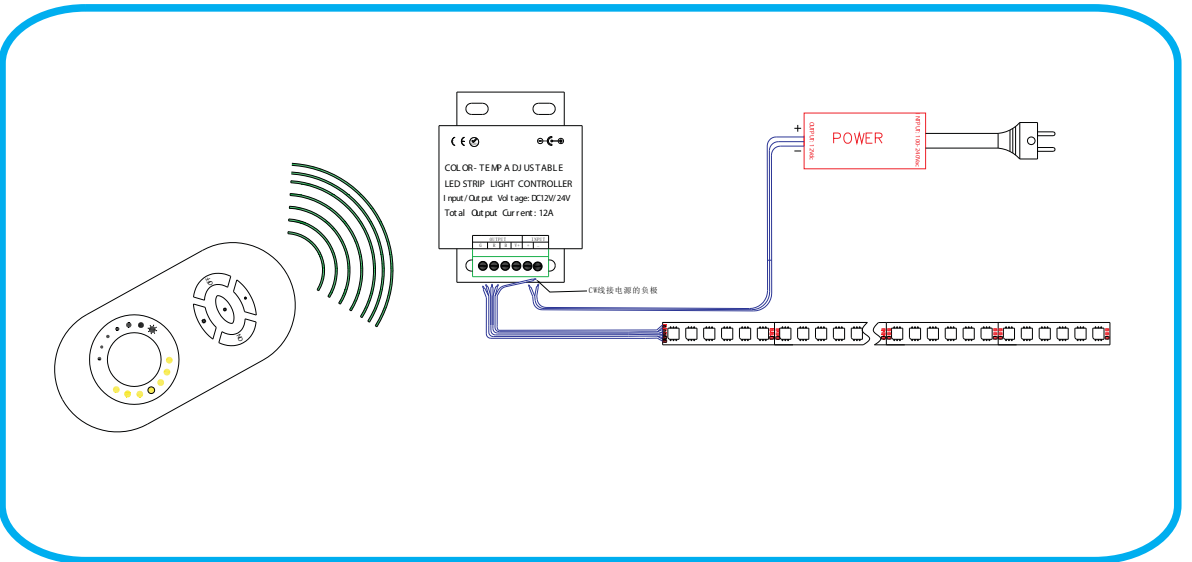
This carton: 50 reels/carton,
5m/reel, 250m in total



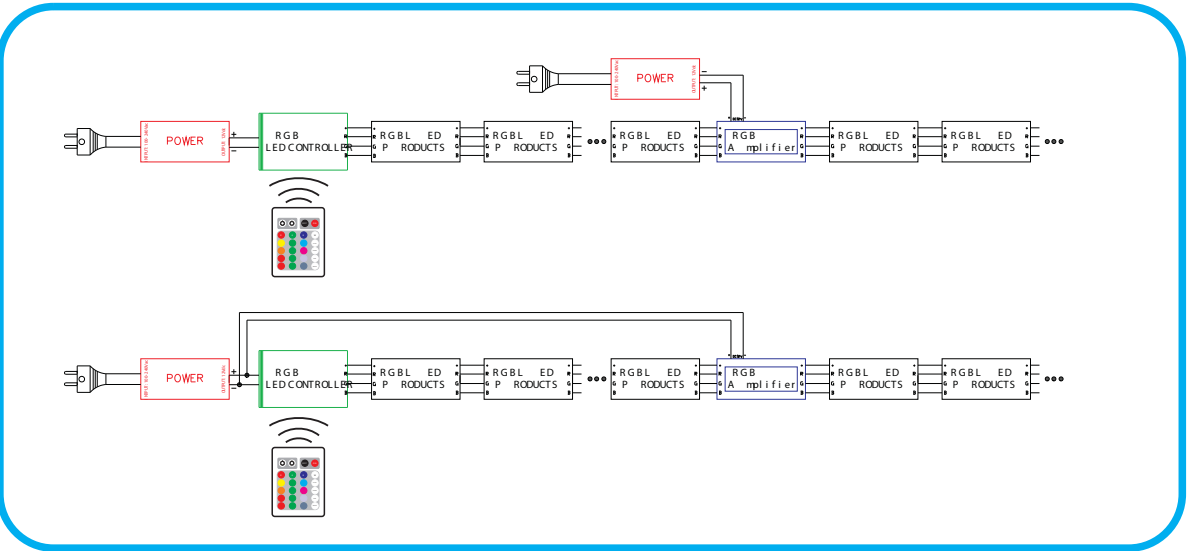
This carton: 60 reels/carton,
5m/reel, 300m in total

7 - Normal installation and connection of 5050 LED strip

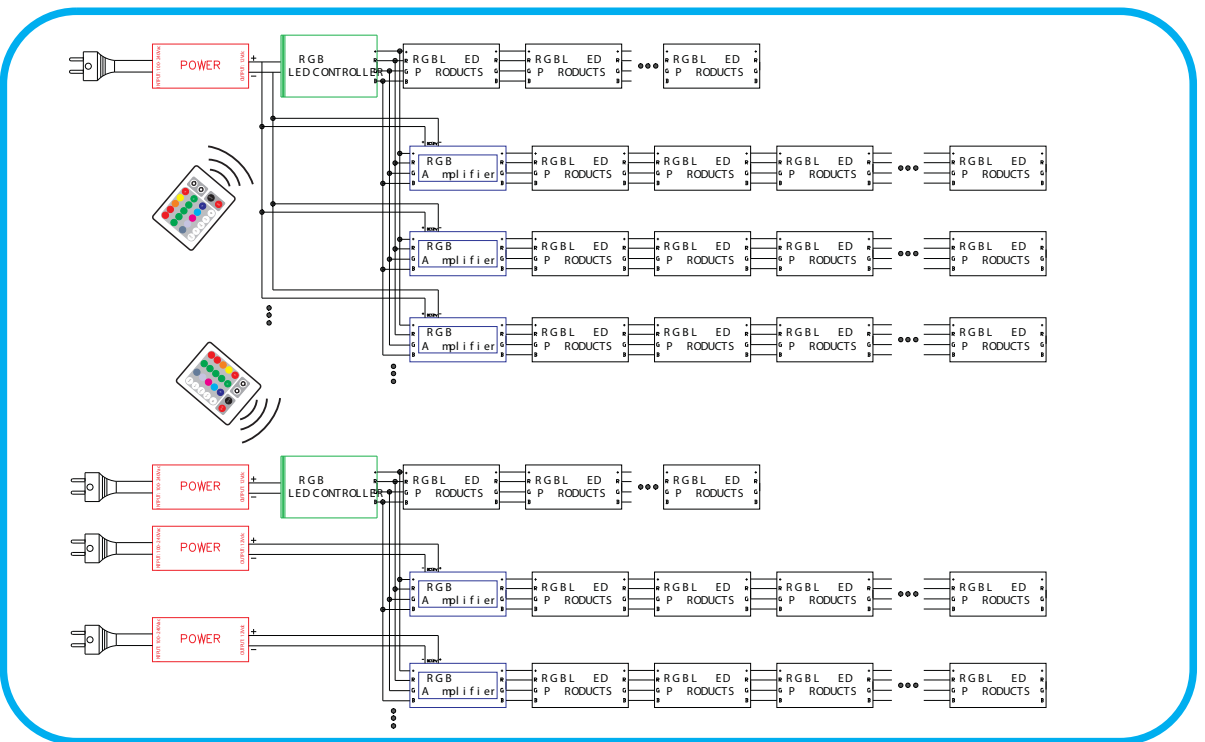




Connection illustration
(RGB+CW/MW)



Connection solutions
to common RGB strip



Two options for
RGB strip+ controller
+ amplifier

Model	Lumerns per meter	CCT/Wave Length	Current per meter	Working voltage	Normal resistors	Power per meter	Voltage drop in per 5 meter	IP Class
OLTBZ150B20b24s	336.5lm	6000-6500K	0.36A	24V	430R	33.6W	1.9V	IP20
OLTBN150B20b24s	315.2lm	4000-4500K	0.36A	24V	430R	33.6W	1.7V	IP20
OLTBC150B20b24s	287.8lm	2700-3300K	0.36A	24V	430R	33.6W	1.83V	IP20
OLTC150B20b24s	98.3lm	625nm	0.36A	24V	750R	33.6W	1.84V	IP20
OLTZ150B20b24s	186.5lm	518nm	0.36A	24V	430R	33.6W	1.68V	IP20
OLTN150B20b24s	97lm	463nm	0.36A	24V	430R	33.6W	1.7V	IP20
OLTY150B20b24s	96.8lm	590nm	0.36A	24V	750R	33.6W	1.6V	IP20
OLTBZ150B65b24s	336.5lm	6000-6500K	0.36A	24V	430R	33.6W	1.9V	IP65
OLTBN150B65b24s	315.2lm	4000-4500K	0.36A	24V	430R	33.6W	1.7V	IP65
OLTBC150B65b24s	287.8lm	2700-3300K	0.36A	24V	430R	33.6W	1.83V	IP65
OLTC150B65b24s	98.3lm	625nm	0.36A	24V	750R	33.6W	1.84V	IP65
OLTZ150B65b24s	186.5lm	518nm	0.36A	24V	430R	33.6W	1.68V	IP65
OLTN150B65b24s	97lm	463nm	0.36A	24V	430R	33.6W	1.7V	IP65
OLTY150B65b24s	96.8lm	590nm	0.36A	24V	750R	33.6W	1.6V	IP65
OLTBZ150B68b24s	336.5lm	6000-6500K	0.36A	24V	430R	33.6W	1.9V	IP68
OLTBN150B67b24s	315.2lm	4000-4500K	0.36A	24V	430R	33.6W	1.7V	IP68
OLTBC150B68b24s	287.8lm	2700-3300K	0.36A	24V	430R	33.6W	1.83V	IP68
OLTC150B68b24s	98.3lm	625nm	0.36A	24V	750R	33.6W	1.84V	IP68
OLTZ150B68b24s	186.5lm	518nm	0.36A	24V	430R	33.6W	1.68V	IP68
OLTN150B68b24s	97lm	463nm	0.36A	24V	430R	33.6W	1.7V	IP68
OLTY150B68b24s	96.8lm	590nm	0.36A	24V	750R	33.6W	1.6V	IP68
OLTF150B20b24s	124lm	R:620-760nm G:490-575nm B:435-450nm	0.36A	24V	R=560R G,B=270R	32W	2.1V	IP20
OLTF150B65b24s	124lm	R:620-760nm G:490-575nm B:435-450nm	0.36A	24V	R=560R G,B=270R	32W	2.1V	IP65
OLTF150B68b24s	124lm	R:620-760nm G:490-575nm B:435-450nm	0.36A	24V	R=560R G,B=270R	32W	2.1V	IP68
OLTF300B20b24s	210lm	R:620-760nm G:490-575nm B:435-450nm	0.6A	24V	R=560R G,B=270R	40W	2.1V	IP20
OLTF300B65b24s	210lm	R:620-760nm G:490-575nm B:435-450nm	0.6A	24V	R=560R G,B=270R	40W	2.1V	IP65
OLTF300B68b24s	210lm	R:620-760nm G:490-575nm B:435-450nm	0.6A	24V	R=560R G,B=270R	40W	2.1V	IP68
OLTBZ300B20b24s	650lm	6000-6500K	0.6A	24V	27R	42W	1.8V	IP20
OLTBC300B20b24s	720lm	2700-3300K	0.6A	24V	27R	42W	1.8V	IP20
OLTC300B20b24s	167lm	625nm	0.6A	24V	27R	42W	1.8V	IP20
OLTZ300B20b24s	320lm	518nm	0.6A	24V	47R	42W	1.7V	IP20
OLTN300B20b24s	98lm	463nm	0.6A	24V	27R	42W	1.7V	IP20
OLTY300B20b24s	167lm	590nm	0.6A	24V	47R	42W	1.7V	IP20
OLTBZ300B65b24s	650lm	6000-6500K	0.6A	24V	27R	42W	1.8V	IP65
OLTBC300B65b24s	720lm	2700-3300K	0.6A	24V	27R	42W	1.8V	IP65

OLTC300B65b24s	167lm	625nm	0.6A	24V	27R	42W	1.8V	IP65
OLTZ300B65b24s	320lm	518nm	0.6A	24V	47R	42W	1.7V	IP65
OLTN300B65b24s	98lm	463nm	0.6A	24V	27R	42W	1.7V	IP65
OLTY300B65b24s	167lm	590nm	0.6A	24V	47R	42W	1.7V	IP65
OLTBZ300B68b24s	650lm	6000-6500K	0.6A	24V	27R	42W	1.8V	IP68
OLTBC300B68b24s	720lm	2700-3300K	0.6A	24V	27R	42W	1.8V	IP68
OLTC300B68b24s	167lm	625nm	0.6A	24V	27R	42W	1.8V	IP68
OLTZ300B68b24s	320lm	518nm	0.6A	24V	47R	42W	1.7V	IP68
OLTN300B68b24s	98lm	463nm	0.6A	24V	27R	42W	1.7V	IP68
OLTY300B68b24s	167lm	590nm	0.6A	24V	47R	42W	1.7V	IP68
OLTBN150B20b12s	360-450lm	4000-4500K	0.6A	12V	24R	6.50W	1.7V	IP20
OLTBN150B65b12s	360-450lm	4000-4500K	0.6A	12V	24R	6.50W	1.7V	IP65
OLTBN150B68b12s	360-450lm	4000-4500K	0.6A	12V	24R	6.50W	1.7V	IP68
OLTBN300B20b12s	720-750lm	4000-4500K	1.04A	12V	24R	12.5W	1.9V	IP20
OLTBN300B65b12s	720-750lm	4000-4500K	1.04A	12V	24R	12.5W	1.9V	IP65
OLTBN300B68b12s	720-750lm	4000-4500K	1.04A	12V	24R	12.5W	1.9V	IP68
OLTF300B20b12s	340-350lm	R:620-760nm G:490-575nm B:435-450nm	1.197A	12V	R=330R G,B=150R	14.36W	2.1V	IP20
OLTF300B65b12s	340-350lm	R:620-760nm G:490-575nm B:435-450nm	1.197A	12V	R=330R G,B=150R	14.36W	2.1V	IP65
OLTF300B68b12s	340-350lm	R:620-760nm G:490-575nm B:435-450nm	1.197A	12V	R=330R G,B=150R	14.36W	2.1V	IP68