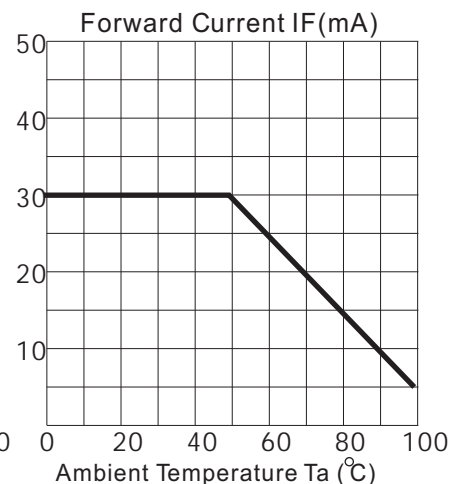
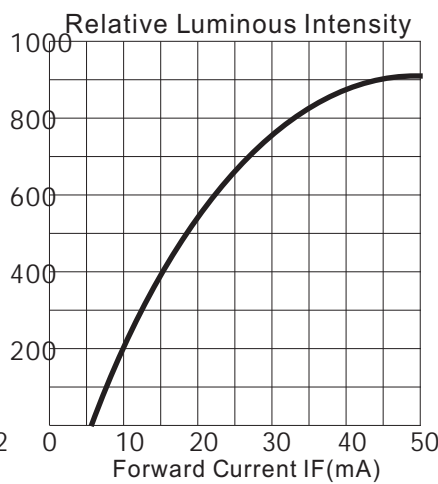
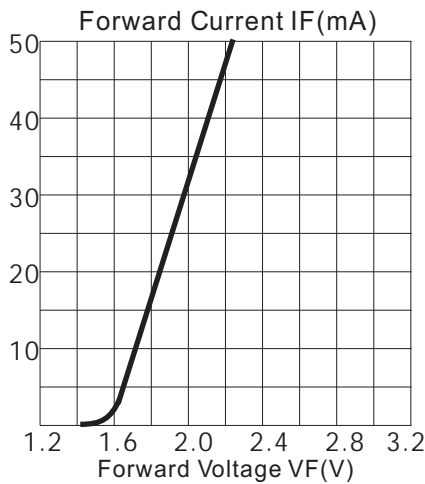
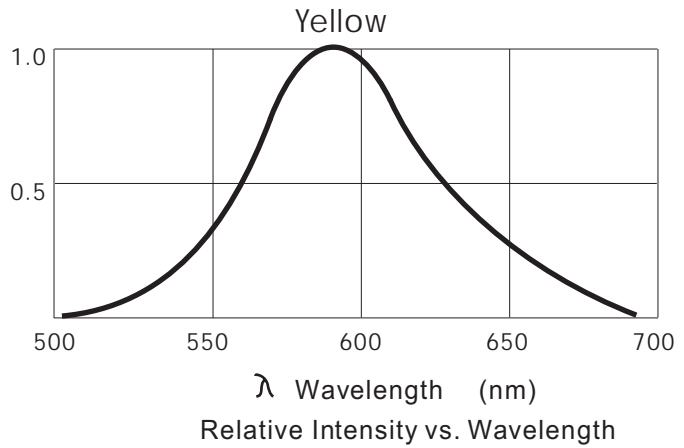
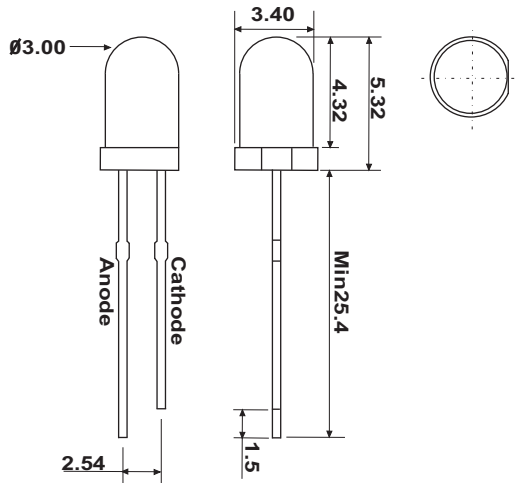


KTL0300IDI



Absolute Maximum Ratings at Ta = 25°C

Parameter	Symbol	Condition	Min.	Typ.	Max.	Unit
Forward Voltage	Vf	If=20mA	2.1		2.35	V
Reverse Voltage	Vr	If=20mA	5.0		5.0	V
Luminous Intensity	Iv	If=20mA		500		mcd
Wavelength	Dλ	If=20mA		589		nm
LENS Color	Yellow Diffused					

LED working lifetime 100,000 hrs

