

PGM5537

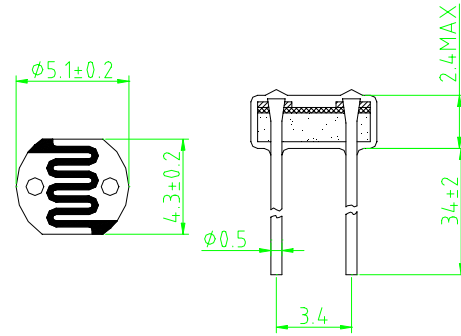
Features:

- Epoxy Encapsulated
- Reliable Performance
- Quick Response
- Good Characteristic of Spectrum



Applications:

- Industrial Control
- Photoelectric Control
- Photoswitch
- Electronic Toys



Model	V _{max} (VDC)	P _{max} (mW)	Ambient Temp (°C)	Spectral Peak (nm)	Photo Resistance (10Lx) (KΩ)	Dark Resistance (MΩ)min	γ min	Response Time (ms)	
								Rise	Decay
PGM5537	150	100	-30 ~ +70	540	16 ~ 50	2.0	0.7	20	30

Measuring Conditions

1. Light Resistance:
 - Measured at 10 lux with standard light A (2854K-color temperature) and 2hr. preillumination at 400-600 lux prior testing.
2. Dark Resistance :
 - Measured 10 seconds after closed 10 lux.
3. Gamma characteristic:
 - Between 10 lux and 100 lux and given by
 - $\gamma = \log(R_{10}/R_{100}) / \log(100/10) = \log(R_{10}/R_{100})$
 - R₁₀,R₁₀: Cell resistance at 10 lux and 100 lux. The tolerance of γ is ±0.1.
4. Pmax:
 - Max. Power Dissipation at ambient temperature of 25° C.
5. Vmax:
 - Max. Voltage in Darkness that may be applied to the cell continuously.