

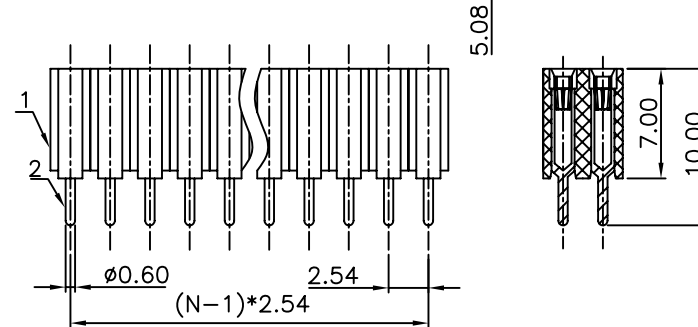
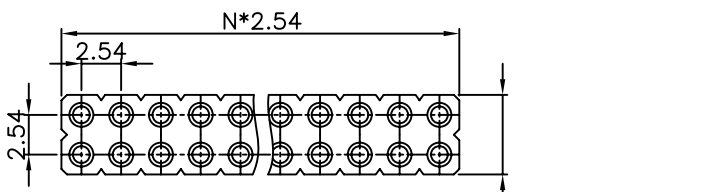
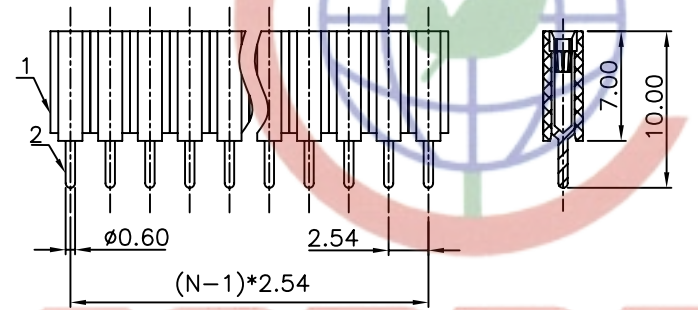
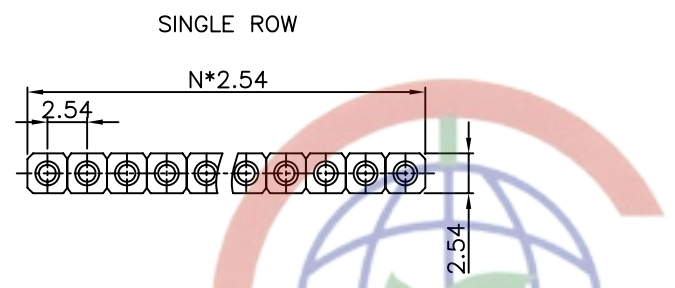
REV.	DESCRIPTION	DRAWN	CHECKED	APPROVED
A	NEW RELEASE	LJH 07/11/05'		

NOTES:

- ELECTRICAL CHARACTERISTICS:
 - CONTACT RESISTANCE: 20mΩ Max. INITIAL.
 - DIELECTRIC WITHSTANDING VOLTAGE: 500V AC(rms) FOR 1 MINUTE.
 - INSULATION RESISTANCE: 1000MΩ Min.
- ENVIRONMENT CHARACTERISTICS:
 - TEMPERATURE: -40°C~+105°C.
- PART NUMBER: DS1002-03
- PRODUCT NUMBER CODE:

DS1002-03 - X X X X


- Pin length
1: 10.00mm
- Clip plating
1: Tin 150u"
2: Tin 200u"
3: G/F
4: Gold 3u"
5: Gold 10u"
6: Gold 15u"
- Pin plating
1: Tin 150u"
2: Tin 200u"
3: G/F
4: Gold 3u"
5: Gold 10u"
6: Gold 15u"
- No. of contacts
1*1 - 1*40
2*1 - 2*40
- Series No.
DS1002-03



Tel:86-574-6350878
 Fax:86-574-6351081
 E-mail:sale@zhenqin.com.cn
 Http://www.connfly.com

GENERAL TOLERANCE	ANGLE TOLERANCE	PROJECTION	TITLE
X. ±0.60	X. ±5°	mm	H:7.00mm SIP IC SOCKET
.X ±0.38	.X ±3°		(MACHINE PIN) PITCH 2.54mm
.XX ±0.25	.XX ±2°	SHEET SIZE A4	SERIES DS1002-03 SERIES

2	CONTACT		COPPER ALLOY	GOLD PLATED	DRAWING TYPE	CUSTOMER	
1	HOUSING		THERMOPLASTIC	UL 94 V-0	SCALE	1:1	SHEET 10F1
ITEM	PART NAME	PART NO.	MATERILAS	FINISHED	DRAWING NO.	C-DS1002-03-XXXX	

 晨翔电子有限公司
CONNFLY CONNFLY ELECTRONIC CO. LTD