

Membrane Switch Frontpanel Short Stroke 18 mm



Approvals and Compliances

Description

- Momentary action switch available in version square or round in different colours
- High lifetime with 5 million actuations
- Front and rear tested to degree of protection IP 65
- Snap-in type from front side
- Solder terminals

Unique Selling Proposition

- Unique mechanical switches with tactile feedback
- Small mounting depth
- Various lettering options

Characteristics

- IEC/UL 60950

Weblinks

[html-datasheet](#), [General Product Information](#), [CAD-Drawings](#), [Product News](#), [Detailed request for product](#)

Technical Data

Electrical Data

Impulse Withstand Voltage (ESD) ± 16 kV

Contact Material Silver

Switching Voltage min. 5 VDC , max. 48 VDC

Switching Current max. 125 mA

Rated Switching Capacity 0.72 W

Lifetime > 1 million actuations at Rated Switching Capacity

Contact Resistance < 50 m Ω
< 150 m Ω after lifetime

Insulation Resistance > 100 M Ω

Duration of Bounce typ. 0.1 ms

Contact Material Gold

Switching Voltage min. 50 mVDC , max. 24 VDC

Switching Current max. 80 mA

Rated Switching Capacity 0.36 W

Lifetime > 1 million actuations at Rated Switching Capacity

Contact Resistance < 50 m Ω
< 150 m Ω after lifetime

Insulation Resistance > 100 M Ω

Duration of Bounce typ. 0.1 ms

Mechanical Data

Actuating Force 3 ± 1 N

Actuating Travel 0.5 ± 0.1 mm

End Stop Strength > 50 N

Lifetime > 1 million actuations

Tightening Torque 8N/cm

Climatical Data

Operating Temperature -25 °C to 60 °C

Storage Temperature -25 °C to 60 °C

IP-Protection IP 65 (only with accessory kit)

Other Data

Contact Material Ag / Au

Soldering Data

Solderability 235 °C / 2 sec (IEC 60068-2-20 Test Ta Method 1)

Resistance to Soldering Heat 260 °C / 5 sec (IEC 60068-2-20 Test Tb Method 1A)

Material

Housings Thermoplastic (PES)

Socket Thermoplastic (PES)

Bezel Thermoplastic (PBT)

Contact CuZn37 3 μ m Ni 2 μ m Au

Soldering Aid tinned

Approvals and Compliances

Detailed information on product approvals, code requirements, usage instructions and detailed test conditions can be looked up in [Details about Approvals](#)




Application standards

Application standards where the product can be used

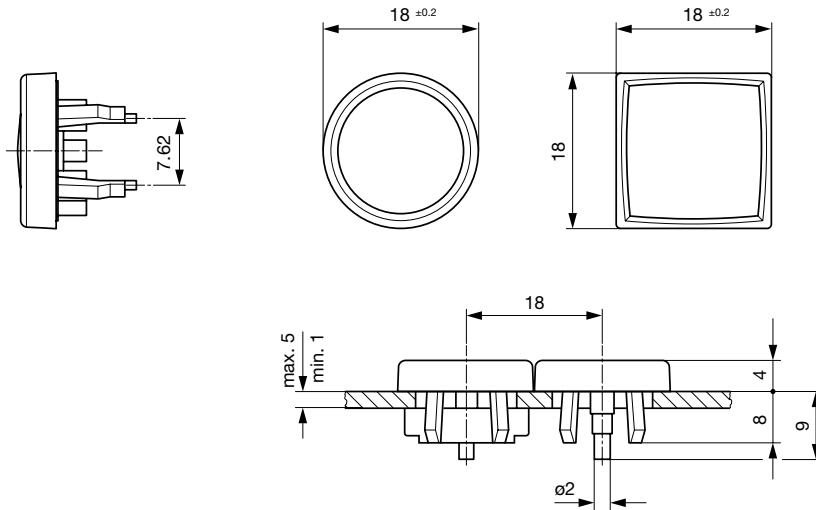
| Organization | Design | Standard | Description |
|--------------|--------------------------------|--------------|-------------------------------------------------------------------------------------------------|
| | Designed for applications acc. | IEC/UL 60950 | IEC 60950-1 includes the basic requirements for the safety of information technology equipment. |

Compliances

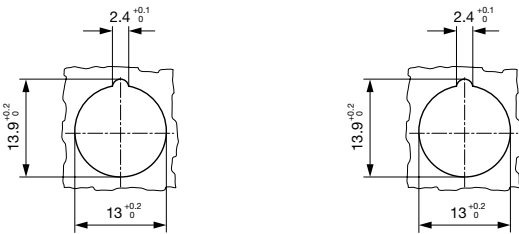
The product complies with following Guide Lines

| Identification | Details | Initiator | Description |
|----------------------------------------------------------------------------------|------------|-------------|-------------------------------------------------------------------------------------------------------------------------------------------------------------------------|
|  | RoHS | SCHURTER AG | EU Directive RoHS 2011/65/EU |
|  | China RoHS | SCHURTER AG | The law SJ / T 11363-2006 (China RoHS) has been in force since 1 March 2007. It is similar to the EU directive RoHS. |
|  | REACH | SCHURTER AG | On 1 June 2007, Regulation (EC) No 1907/2006 on the Registration, Evaluation, Authorization and Restriction of Chemicals 1 (abbreviated as "REACH") entered into force. |

Dimension [mm]



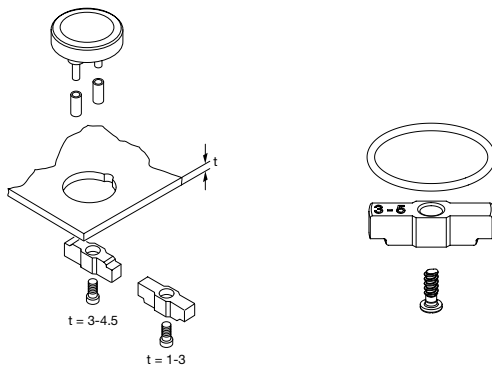
Dimension



Drilling diagram

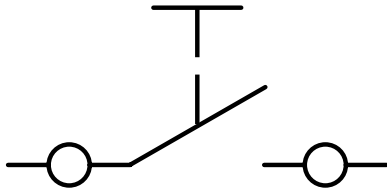
Drilling diagram

Assembly Instructions



Accessory kit IP65 has to be ordered separately

Diagrams

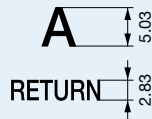


Order Index Lettering

| Laser Marking | | | |
|---------------|---------|--------------|--------------|
| 001 = A | 021 = U | 041 = ÷ | 061 = EIN |
| 002 = B | 022 = V | 042 = * | 062 = AUS |
| 003 = C | 023 = W | 043 = = | 063 = AUF |
| 004 = D | 024 = X | 044 = # | 064 = AB |
| 005 = E | 025 = Y | 045 = ↔ | 065 = ON |
| 006 = F | 026 = Z | 046 = † | 066 = OFF |
| 007 = G | 027 = 0 | 047 = → | 067 = UP |
| 008 = H | 028 = 1 | 048 = ← | 068 = DOWN |
| 009 = I | 029 = 2 | 049 = ↓ | 069 = HIGH |
| 010 = J | 030 = 3 | 050 = ↑ | 070 = LOW |
| 011 = K | 031 = 4 | 051 = % | 071 = ON/OFF |
| 012 = L | 032 = 5 | 052 = √ | 072 = START |
| 013 = M | 033 = 6 | 053 = CTRL | 073 = RESET |
| 014 = N | 034 = 7 | 054 = RETURN | 074 = ⏻ |
| 015 = O | 035 = 8 | 055 = SHIFT | 075 = ⚙️ |
| 016 = P | 036 = 9 | 056 = LOCK | 076 = 🔔 |
| 017 = Q | 037 = + | 057 = STOP | 077 = ⏸️ |
| 018 = R | 038 = - | 058 = ENTER | |
| 019 = S | 039 = . | 059 = BACK | |
| 020 = T | 040 = x | 060 = LINE | |

Letter heights and Fonts

- Single characters, Univers 65
- Legends max. 6 characters in line, Univers 65
- Insert label and front foil anthracite, RAO 7016
- Characters and symbols light grey, RAL 7035



All Variants

| Kontakte | Form | Color Bezel | Color Touchpad | Lettering | Bestellnummer |
|----------|--------|-------------|----------------|-------------------|--------------------------------|
| Ag | square | black | red | without Lettering | 1241.1100.7093 |
| Ag | square | black | green | without Lettering | 1241.1100.7095 |
| Ag | square | black | black | without Lettering | 1241.1100.7097 |
| Ag | round | black | yellow | without Lettering | 1241.1104.7091 |
| Ag | round | black | red | without Lettering | 1241.1104.7093 |
| Ag | round | black | green | without Lettering | 1241.1104.7095 |

| Kontakte | Form | Color Bezel | Color Touchpad | Lettering | Bestellnummer |
|--------------------|--------------------------|-------------|----------------|-------------------|----------------|
| Ag | round | black | grey | without Lettering | 1241.1104.7096 |
| Ag | round | black | black | without Lettering | 1241.1104.7097 |
| Ag | round with soldering aid | black | black | without Lettering | 1241.1113.7097 |
| Accessory kit IP65 | - | - | - | - | 0098.9201 |

For Lettering versions see tables "Lettering" and "Order Index Lettering" to determine the symbol

 Most Popular.

Availability for all products can be searched real-time: <https://www.schurter.com/en/Stock-Check/Stock-Check-SCHURTER>

Packaging unit 100 pcs
