

## SensorTile development kit

Data brief



### Features

- Included in the development kit package:
  - SensorTile module (STEVAL-STLCS01V1) with STM32L476, LSM6DSM, LSM303AGR, LPS22HB, MP34DT04, BlueNRG-MS, BALF-NRG-01D3 and LD39115J18R
  - SensorTile expansion Cradle board equipped with audio DAC, USB port, STM32 Nucleo, Arduino UNO R3 and SWD connector
  - SensorTile Cradle with battery charger, humidity and temperature sensor, SD memory card slot, USB port and breakaway SWD connector
  - 100 mAh Li-Ion battery
  - Plastic box
  - SWD programming cable
- Software libraries and tools
  - STSW-STLKT01: SensorTile firmware package that supports sensors raw data streaming via USB, data logging

on SDCard, audio acquisition and audio streaming.

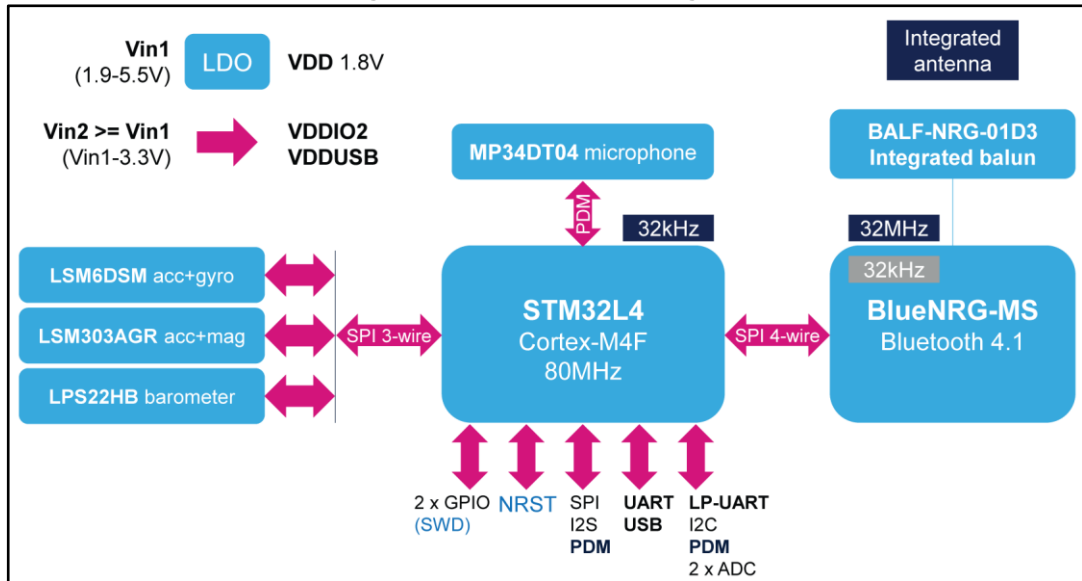
- FP-SNS-ALLMEMS1 and FP-SNS-MOTENV1: STM32 ODE functional packs
- ST BlueMS: iOS and Android demo Apps
- BlueST-SDK: iOS and Android Software Development Kit
- CE certified
- RoHS and China RoHS compliant
- FCC (ID: S9NSTILE01) certified
- IC (IC: 8976C-STILE01) certified with PMN: STEVAL-STLKT01V1; HVIN: STEVAL-STLCS01V1; HMN: STEVAL-STLCX01V1; FVIN: bluenrg\_7\_1\_e\_Mode\_2-32MHz-XO32K\_4M.img
- TYPE certified (006-000482)

### Description

The STEVAL-STLKT01V1 is a comprehensive development kit designed to support and expand the capabilities of the SensorTile and comes with a set of cradle boards enabling hardware scalability. The development kit simplifies prototyping, evaluation and development of innovative solutions. It is complemented with software, firmware libraries and tools, including a dedicated mobile App. The SensorTile is a tiny, square-shaped IoT module that packs powerful processing capabilities leveraging an 80 MHz STM32L476JGY microcontroller and Bluetooth low energy connectivity based on BlueNRG-MS network processor as well as a wide spectrum of motion and environmental MEMS sensors, including a digital microphone. SensorTile can fit snugly in your IoT hub or sensor network node and become the core of your solution. To upload new firmware onto the SensorTile, an external SWD debugger (not included in the kit) is needed. It is recommended to use ST-LINK/V2-1 found on any STM32 Nucleo-64 development board.

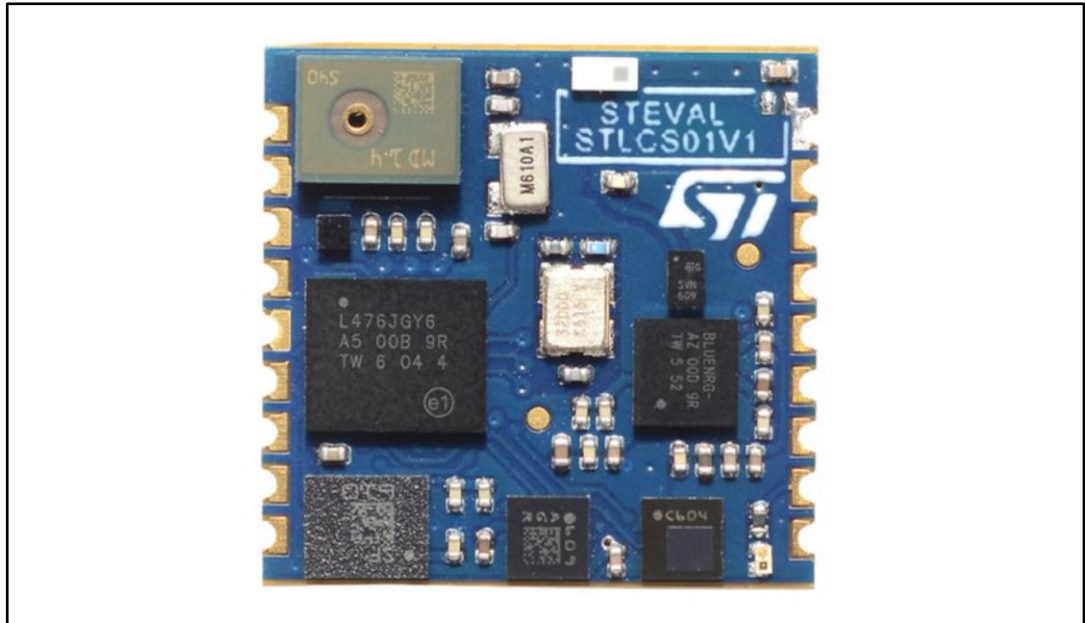
# 1 Schematic diagram

Figure 1: Functional block diagram



## 2 Boards included in the kit

Figure 2: STLCS01V1 board photo



### STLCS01V1 SensorTile component board features

- Very compact module for motion, audio and environmental sensing and Bluetooth low energy connectivity with a complete set of firmware examples
- Supported by the STM32Cube and the STM32 ODE functional pack FP-SNS-ALLMEMS1 and FP-SNS-MOTENV1
- Mobile connectivity via the ST BlueMS app, available for iOS and Android
- Main components:
  - STM32L476 – 32-bit ultra-low-power MCU with CortexM4F
  - LSM6DSM – iNEMO inertial module: 3D accelerometer and 3D gyroscope
  - LSM303AGR – Ultra-compact high-performance eCompass module: ultra-low power 3D accelerometer and 3D magnetometer
  - LPS22HB – MEMS nano pressure sensor: 260-1260 hPa absolute digital output barometer
  - MP34DT04 – 64dB SNR Digital MEMS Microphone
  - BlueNRG-MS – Bluetooth low energy network processor
  - BALF-NRG-01D3 – 50  $\Omega$  balun with integrated harmonic filter
  - LD39115J18R – 150 mA low quiescent current low noise LDO 1.8 V
  - 2 V-5.5 V power supply range
  - External interfaces: UART, SPI, SAI (Serial Audio Interface), I<sup>2</sup>C, DFSDM, USB OTG, ADC, GPIOs
- Pluggable or solderable interface
- SWD interface for debugging and programming capability

**STLCS01V1 SensorTile component board description**

STEVAL-STLCS01V1 (SensorTile) is a highly integrated reference design that can be plugged into form-factor prototypes to add sensing and connectivity capabilities to new designs through a smart hub solution. It can also easily support development of monitoring and tracking applications as standalone sensor node connected to iOS/Android smartphone applications.

The SensorTile comes in a very small square shape 13.5 x 13.5 mm. All the electronic components are on the top side of the pcb, while the bottom side has a small connector through which it is possible to easily plug and unplug it from a motherboard. The connector pinout is also replicated on 18 pcb pads that render the SensorTile a solderable system on module as well.

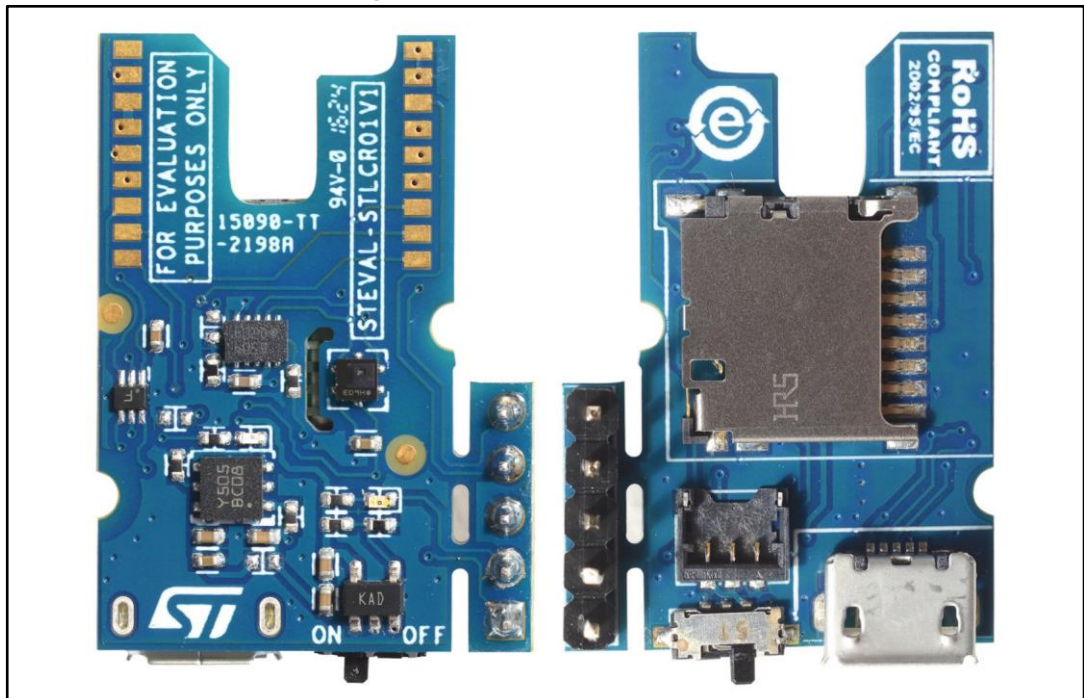
The module comes with pre-loaded FP-SNS-ALLMEMS1 (former BLUEMICROSYSTEM2) software that initializes all the sensors and the Bluetooth low energy radio. The “ST BlueMS” app, available free of charge on Apple Store™ and Google Play™, is the easiest and fastest way to start using the SensorTile board and to experience a real activity monitoring system.

The SensorTile firmware package STSW-STLKT01, built on the STM32Cube software technology, includes all the low level drivers to manage the on-board devices and system-level interfaces. It has been designed in order to be easily extended and personalized as starting point for development and customization of new dedicated applications.

All the firmware packages are freely available on [www.st.com](http://www.st.com).

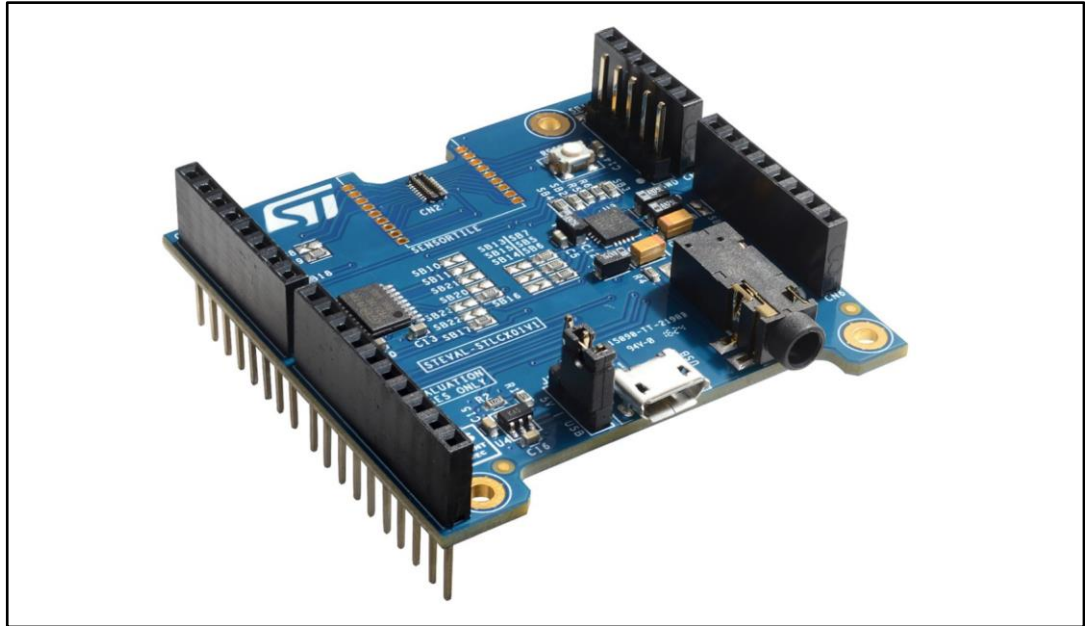
The Bluetooth radio power output is set by default at 0 dBm. The FCC and IC certifications refer to this operating value. The power output can be changed up to 8 dBm by reprogramming the device firmware, but the change of this operating value will require an update of the FCC and IC certifications, with additional radio emission tests to be performed.

Figure 3: STLCS01V1 board photo



**STLCR01V1 SensorTile component board features**

- Sensortile Cradle board with SensorTile footprint (solderable)
- STBC08PMR – 800 mA standalone linear Li-Ion battery charger
- HTS221 – capacitive digital sensor for relative humidity and temperature
- LDK120M-R – 200 mA low quiescent current very low noise LDO
- STC3115 – Fuel gauge IC
- USBLC6-2P6 – very low capacitance ESD protection
- USB type A to Mini-B USB connector for power supply and communication
- microSD card socket
- SWD connector for programming and debugging

**Figure 4: STLCX01V1 board photo****STLCX01V1 SensorTile component board features**

- Sensortile Cradle expansion board with SensorTile plug connector
- Compatible with STM32 Nucleo boards through Arduino UNO R3 connector
- LDK120M-R – 200 mA low quiescent current very low noise LDO
- ST2378ETTR – 8-bit dual supply 1.71 V to 5.5 V level translator
- USBLC6-2P6 – very low capacitance ESD protection
- 16-Bit, low-power stereo audio DAC
- Micro-USB connector for power supply and communication
- Reset button
- SWD connector for programming and debugging

### 3 Revision history

**Table 1: Document revision history**

Date	Version	Changes
24-May-2016	1	Initial release.
01-Jun-2016	2	Updated board photo on the cover page.
02-Aug-2016	3	Updated board photo on the cover page, <i>Figure 1: "STLCS01V1 board photo"</i> , <i>Figure 2: "STLCR01V1 board photo"</i> and <i>Figure 3: "STLCX01V1 board photo"</i> .
03-Nov-2016	4	Updated: figure, features and description on the cover page.
28-Mar-2017	5	Updated: features on the cover page and <i>Section 2</i> .
15-Nov-2017	6	Updated features and description on the cover page and <i>Section 2: "Boards included in the kit"</i> .

**IMPORTANT NOTICE – PLEASE READ CAREFULLY**

STMicroelectronics NV and its subsidiaries ("ST") reserve the right to make changes, corrections, enhancements, modifications, and improvements to ST products and/or to this document at any time without notice. Purchasers should obtain the latest relevant information on ST products before placing orders. ST products are sold pursuant to ST's terms and conditions of sale in place at the time of order acknowledgement.

Purchasers are solely responsible for the choice, selection, and use of ST products and ST assumes no liability for application assistance or the design of Purchasers' products.

No license, express or implied, to any intellectual property right is granted by ST herein.

Resale of ST products with provisions different from the information set forth herein shall void any warranty granted by ST for such product.

ST and the ST logo are trademarks of ST. All other product or service names are the property of their respective owners.

Information in this document supersedes and replaces information previously supplied in any prior versions of this document.

© 2017 STMicroelectronics – All rights reserved