

*Maxair*TM

SPECIFICATIONS

FOR APPROVAL

Model: 12038B2X-7

AC220V 50/60Hz 0.14A

Maxair™

SPECIFICATION

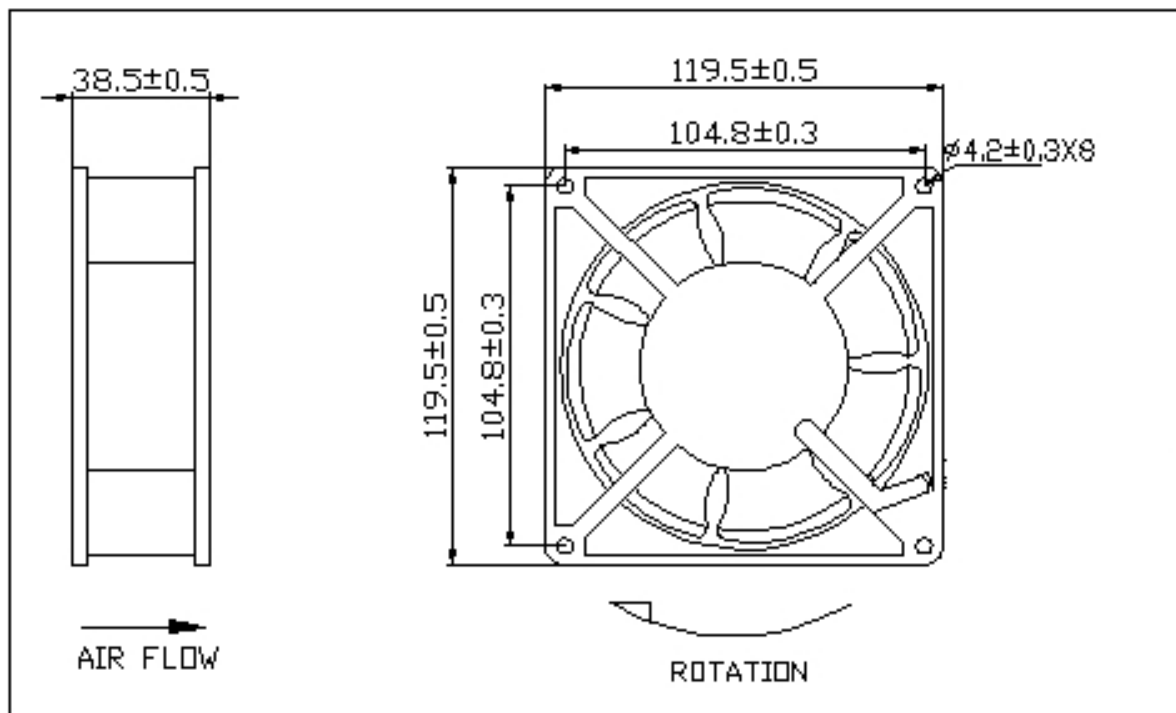
<u>Item</u>	<u>Specification/Condition</u>
Dimension	: 120x120x38 mm
Bearing System	: BALL BEARING
Rated Voltage	: 220 VAC
Operating Voltage	: 200 VAC—240 VAC
Start-up Voltage	: 160 VAC NORMALLY
Rated Current	: 0.14 Amp NORMALLY
Rated Speed	: 2600 RPM±10%
Air Flow	: 100 CFM
Static Air Pressure	: 8.8 mmH ₂ O
Noise Level	: 42dBA
Motor Protection Type	: BY IMPEDANCE
Life Expectance	: 50000 Hours at Room Temperature
Operation Temperature	: -30°C to +75°C
Net Weight	: 530 Grams

Maxair™

MATERIAL

1. Impeller : Thermoplastic PBT of UL 94V-0
2. Bobbin : Thermoplastic PA66 of UL 94V-0

DIMENSIONS: MM



Performance Curve

