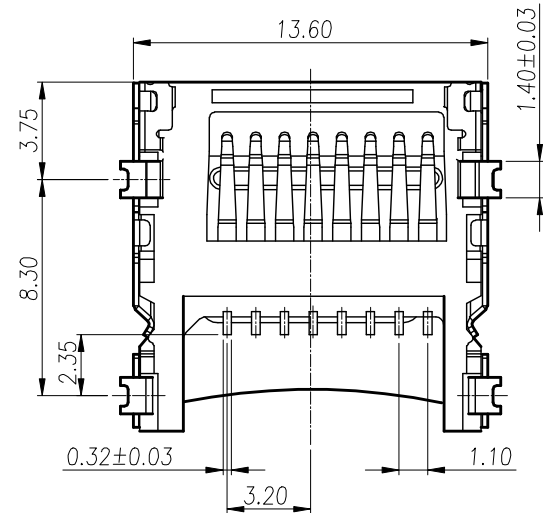
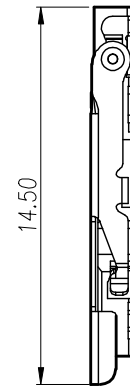
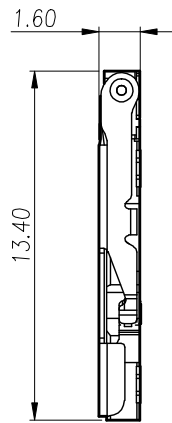
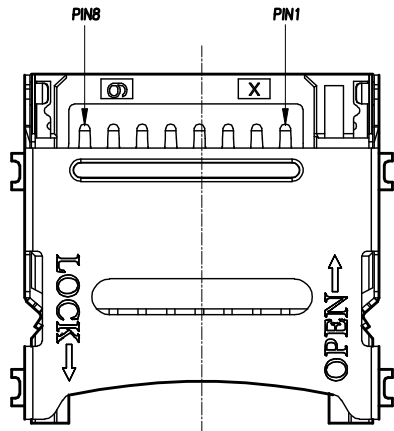


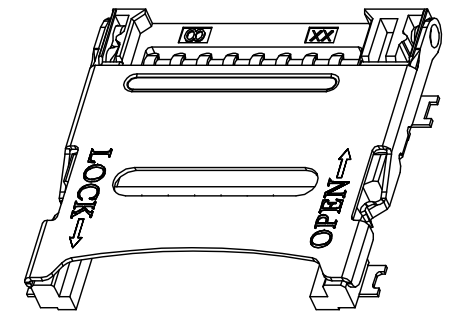
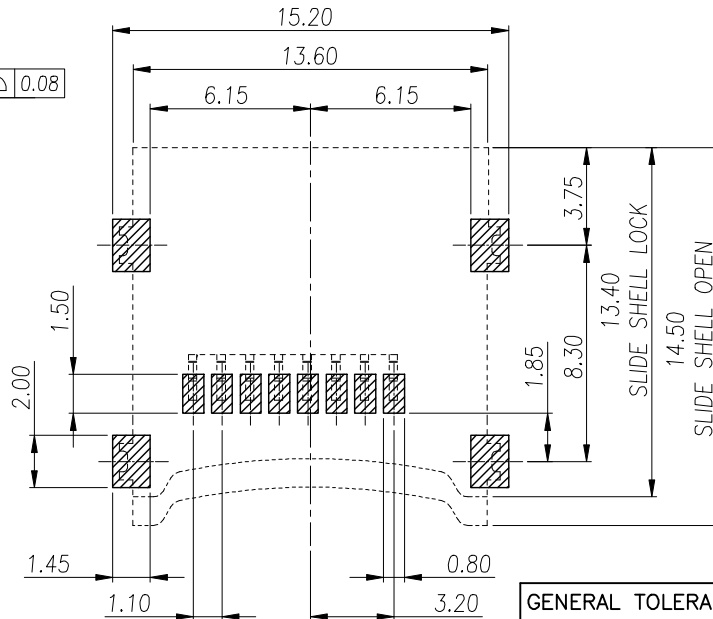
Customer drawings
Reference only

| REV. | ECN.NO. | MODIFY.CONTENT | DATE |
|------|---------|----------------|------|
| | | | |



SLIDE SHELL OPEN

SLIDE SHELL LOCK



NOTES:

- VOLTAGE RATING:100V.
- CURRENT RATING:0.5A.
- INSULATION RESISTANCE:500MΩ MIN.
- CONTACT RESISTANCE:100mΩ MAX.
- OPERATION TEMPERATURE:-20°TO+85°.
- DURABILITY:5000 CYCLES.

| PIN NO. | NAME | YTPE | DESCRIPTION |
|---------|---------|--------|----------------------------|
| 1 | DAT2 | I/O/PP | DATE LINE(BIT2) |
| 2 | CD/DAT3 | I/O/PP | CARD DETECT DATE LIN(BIT3) |
| 3 | CMD | PP | COMMAND RESPONSE |
| 4 | VDD | S | SUPPLY VOLTAGE |
| 5 | CLX | I | CLOCK |
| 6 | VSS | S | SUPPLY VOLTAGE GROUND |
| 7 | DATO | I/O/PP | DATE LINE(BIT0) |
| 8 | DAT1 | I/O/PP | DATE LINE(DIT1) |

RECOMMEND PCB LAYOUT
TOLERANCE: ±0.05 TOP VIEW

| NO. | DESCRIPTION | MATERIAL | COLOR | REMARK |
|-----|-------------|-----------------|---------------|--------|
| ④ | SHELL | STAINLESS STEEL | NATURE | |
| ③ | PEG | COPPEP ALLOY | TIN120U" | |
| ② | CONTACT | COPPEP ALLOY | AU1U" | |
| ① | HOUSING | HIGH TEMP | BLACK UL94-V0 | |

| GENERAL TOLERANCE | DWG NO. | LZA0326-001 | APPD: | Scale | 1:1 |
|-------------------|------------|----------------|-------|-------------------------------------|-----|
| X.±0.45 | x.'±5' | TITLE | CHKD: | UNIT | mm |
| .X±0.35 | .x'±2' | | | | |
| .XX±0.25 | .xx'±1' | PART NO. | DATE | DR: | 许小伟 |
| .XXX±0.15 | .xxx'±0.5' | | | | |
| SHEET 1/1 | | 东莞市捷圣泰电子科技有限公司 | | Dongguan JASSTA Electronics Co.,LTD | |