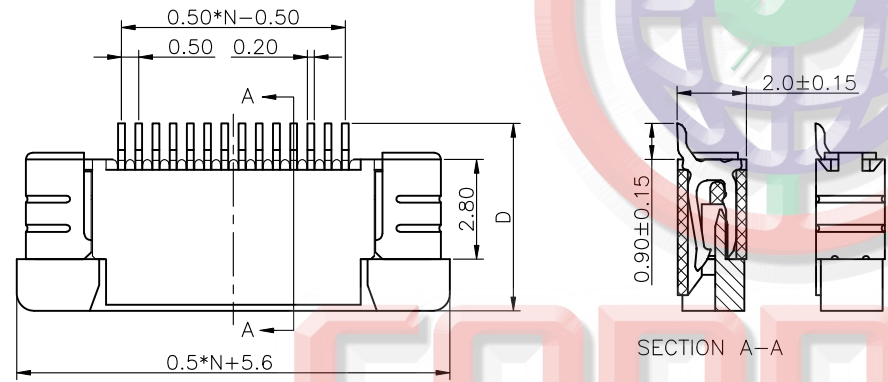


REV.	DESCRIPTION	DRAWN	CHECKED	APPROVED
A	NEW RELEASE	YCH 09/04/08'	~	LJC 09/04/08'
B	ADD PACKING TYPE	JLZ 04/02/15'	HZW 04/02/15'	LJC 04/02/15'
C	DRAWING UPDATE	JLZ 04/18/16'	HZW 04/18/16'	LJC 04/18/16'

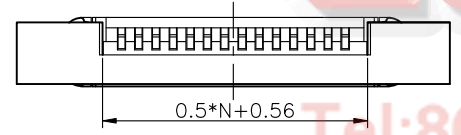
N=4~34 D=5.2  
N=35~60 D=5.75



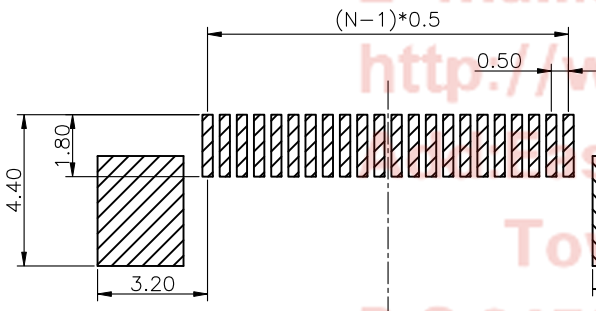
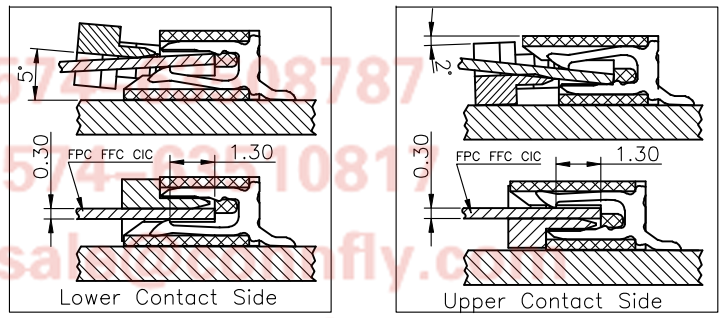
- NOTES:
- MATERIAL
    - INSULATOR:THERMOPLASTIC(UL 94V-0).
    - CONTACT: COPPER ALLOY.
  - SPECIFICATION
    - TEMPERATURE:-40°C~+105°C.
    - CONTACT RESISTANCE:30mΩ max.
    - INSULATION RESISTANCE:100MΩ min.
    - DIELECTRIC WITHSTANDING VOLTAGE:AC 100V PER MINUTE.
  - PRODUCT NUMBER CODE:

DS1020-09- X X X X X - X

- PACKING TYPE  
R: TAPE ON REEL  
N/A: TUBE
- CONTACT TYPE  
A: LOWER CONTACT  
B: UPPER CONTACT
- CONTACT PLATING  
T1: TIN  
8: FULL GOLD FLASH
- COVER COLOR  
B:BLACK
- HOUSING COLOR  
V:IVORY
- No. OF CONTACTS  
04~60



N=No. OF CONTACTS



RECOMMEND PCB LAYOUT(TOLERANCE=±0.05)

GENERAL TOLERANCE		ANGLE TOLERANCE	
X.	±0.60	X.	±5°
.X	±0.38	.X	±3°
.XX	±0.25	.XX	±2°

DRAWING TYPE	CUSTOMER		
SCALE	1:1	SHEET	1 OF 1
DRAWING NO.	C-DS1020-09-XXXXX-C		

PROJECTION		TITLE	0.50mm FPC CONNECTOR	
UNITS	mm		R/A SMT TYPE	
SHEET SIZE	A4	SERIES	DS1020-09 SERIES	

晨翔电子有限公司  
CONNFLY CONNFLY ELECTRONIC CO. LTD

Tel:86-574-87878787  
Fax:86-574-87878787  
E-mail:sales@connfly.com  
http://www.connfly.com  
To: Industry Zone KuangYan  
Cixi Ningbo China  
P.C:315333