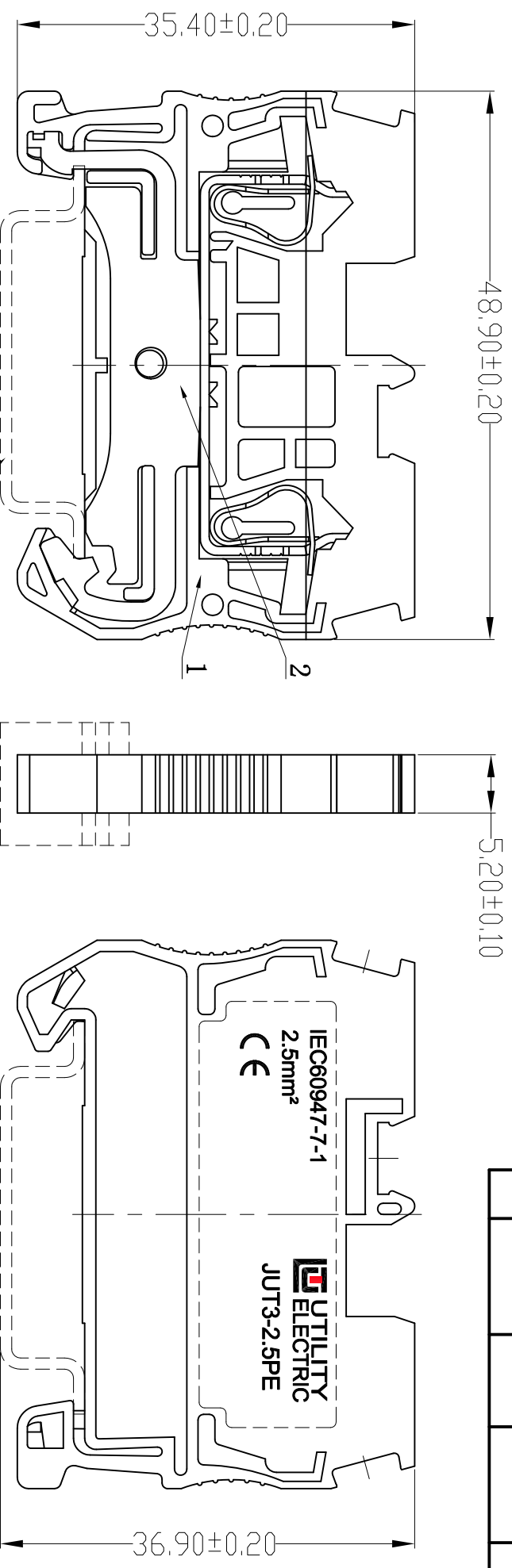


REV.	EQM.NO.	REVISE.NO.	REVISER	APPD.
版本	ECN: 编号	次数	修订者	核准
R1	DRAWING			



Technical Data

Material:

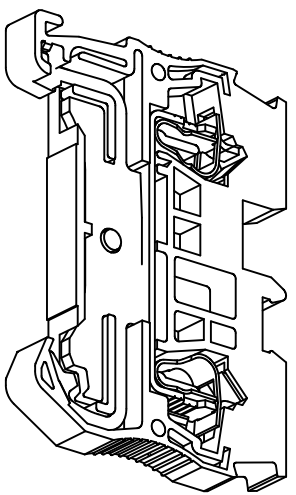
- Body: PA66 UL94 V-0.
- Conductor: Copper , Tin Plated.
- Spring: SUS 301.

Electrical:

- Current rating: 24 A;
- Contact resistance: 20 mΩ Max.

Mechanical:

- Connection Capacity: 24-12AWG.
- Stripping Length : 12mm.
- Operating temperature: -45° C to +105° C.



ZHEJIANG UTILITY ELECTRICAL CO., LTD
浙江尤提乐电气有限公司

TYPE NO.	TITLE	DWG. NO.	SCALE	PAGE
JUT3-2.5PE	名称: Customer Drawing	C-DW0273-0	FULL	1/1
型号:	APPD. 核准:	图号:	比例:	页码:
>120	±0.50	>30~120	±0.30	>6~30
>6~30	±0.20	0~6	±0.10	±1°
MATERIAL 材质:		ANGLE		DR. 设计:
		±1°		Jammy. Ling
		UNIT: mm[inch]		REV.: R1