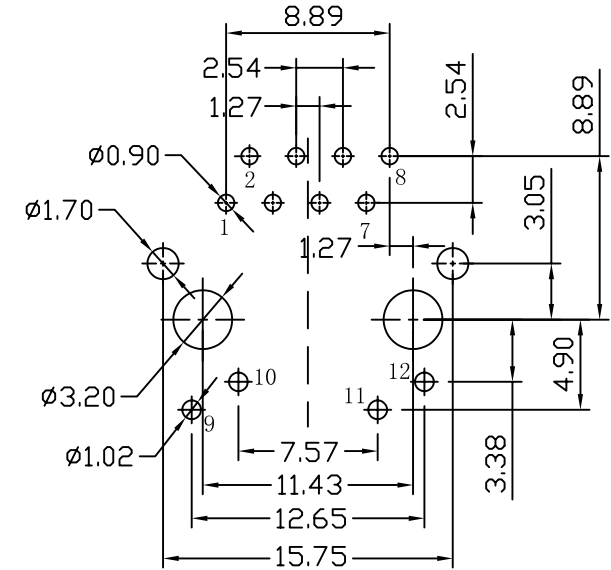
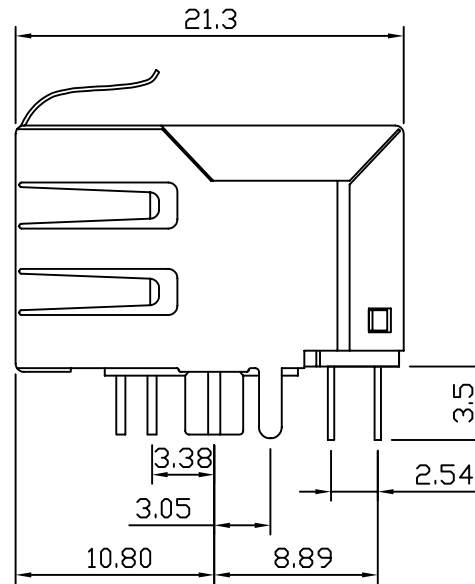
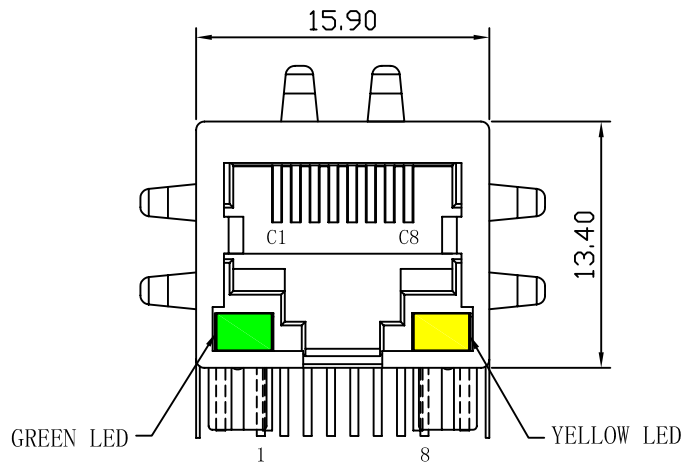
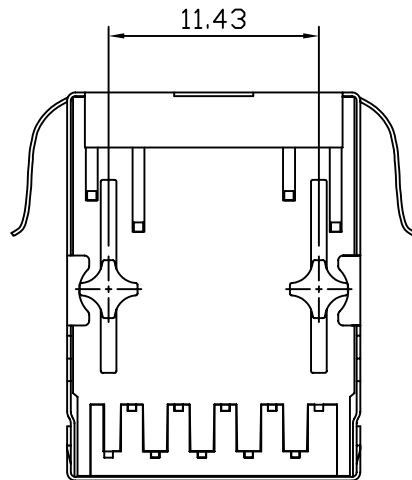


# Mechanical:

REV.	ECN NO.	DESCRIPTION	DATE	APPD
A	REL		26/11/2007	



SUGGESTED PCB LAYOUT (TOP VIEW)



## NOTES:

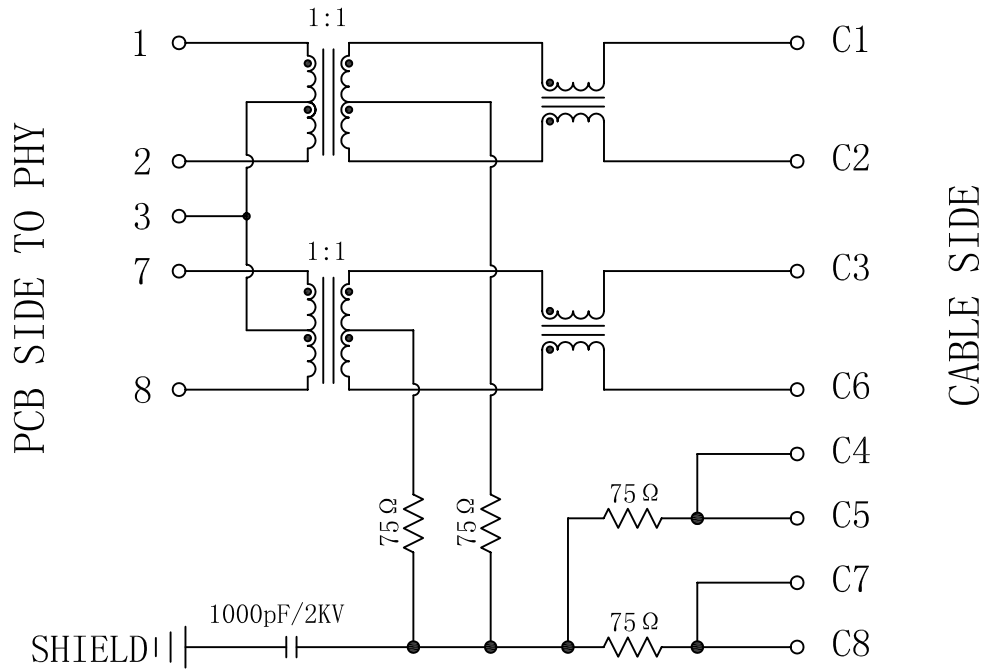
1. Designed to support application, such as SOHO (ADSL modems), LAN-on-Motherboard (LOM), hub and Switches.
2. Meets IEEE 802.3 specification
3. Connector Materials:  
 Housing: Thermoplastic UL94V-0  
 Contact/Shield: Copper alloy  
 Shield plating: Nickel  
 Contact plating: Gold 6 micro-inches min. In contact area.
4. Wave solder tip temperature: 265°C Max  
 Wave solder tip temperature time: 5 Sec Max



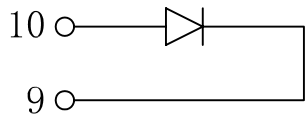
X:X	$\pm 0.30$	APPD:	LINK-PP INT'L TECHNOLOGY CO., LIMITED
X:XX	$\pm 0.20$	CHKD:	
X:XXX	$\pm 0.05$	DR: TOM	TITLE: RJ45 Connector with 10/100 Base-T Integrated Magnetics
ANGLES	$\pm 1^\circ$	UNIT: mm	PART NO.: LPJ0013AHNL
	SCALE: 2/1	SHEET: 1/2	REV: A DWG NO.: LP07112603

Schematic:

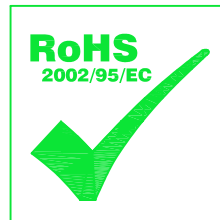
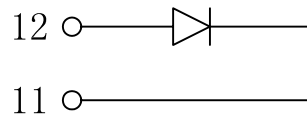
REV.	ECN NO.	DESCRIPTION	DATE	APPD
A	REL		26/11/2007	



GREEN/LEFT LED



YELLOW/RIGHT LED



ELECTRICAL SPECIFICATIONS @25°C

- Turn Ratio ( $\pm 2\%$ ):  
TX=1:1      RX=1:1
- Inductance OCL:  
350uH MIN@100KHz/0.1V, 8mA DC Bias
- Insertion Loss:  
-1.0dB MAX @1-100MHz
- Return Loss:  
-18dB MIN @1-30MHz  
-16dB MIN @30-60MHz  
-12dB MIN @60-80MHz
- Cross talk:  
-30dB MIN @1-100MHz
- Common Mode Rejection:  
-30dB MIN @1-100MHz
- Hipot Test: 1500Vrms MIN
- Operating Temperature Range: 0°C TO 70°C

X:X	$\pm 0.30$	APPD:	LINK-PP INT'L TECHNOLOGY CO., LIMITED	
X:XX	$\pm 0.20$	CHKD:	TITLE: RJ45 Connector with 10/100 Base-T Integrated Magnetics	
X:XXX	$\pm 0.05$	DR: TOM	PART NO.: LPJ0013AHNL	
ANGLES	$\pm 1^\circ$	UNIT: mm		
	SCALE: 2/1	SHEET: 2/2	REV: A	DWG NO.: LP07112603