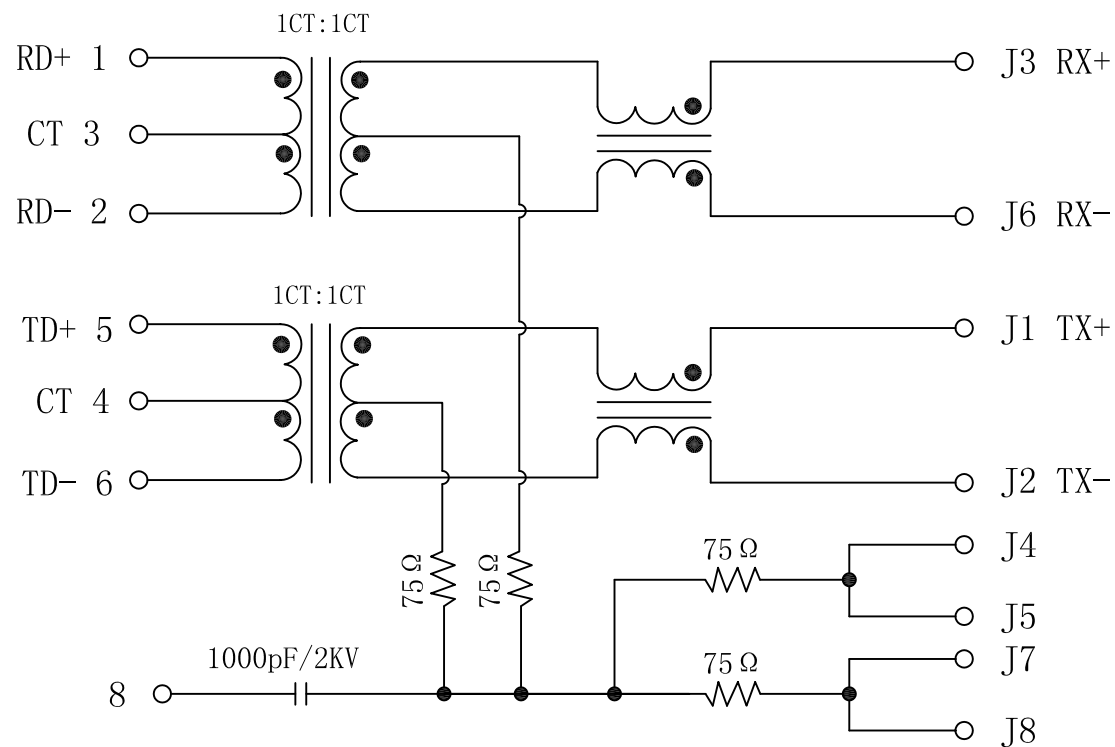


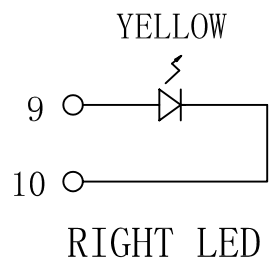
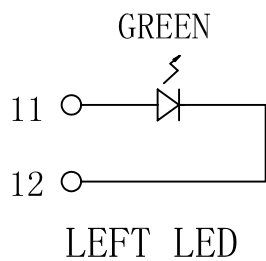
# Schematic:

| REV. | ECN NO. | DESCRIPTION | DATE       | APPD |
|------|---------|-------------|------------|------|
| A    | REL     |             | 2012/11/28 |      |



## Electrical Specifications @25°C

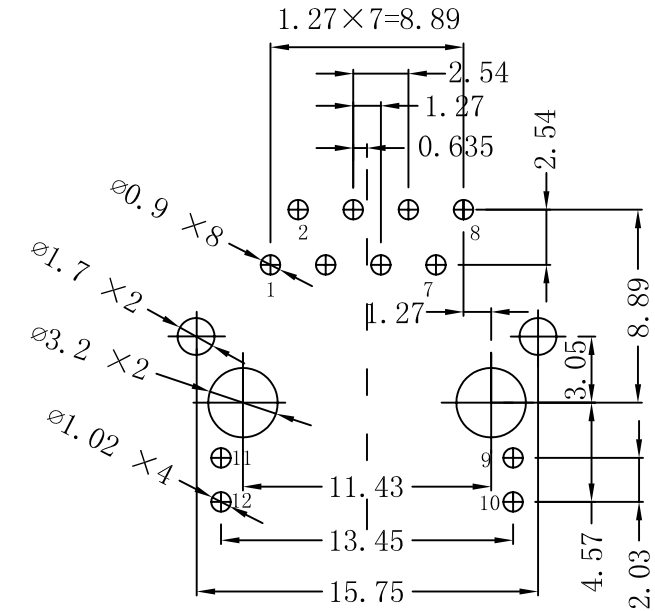
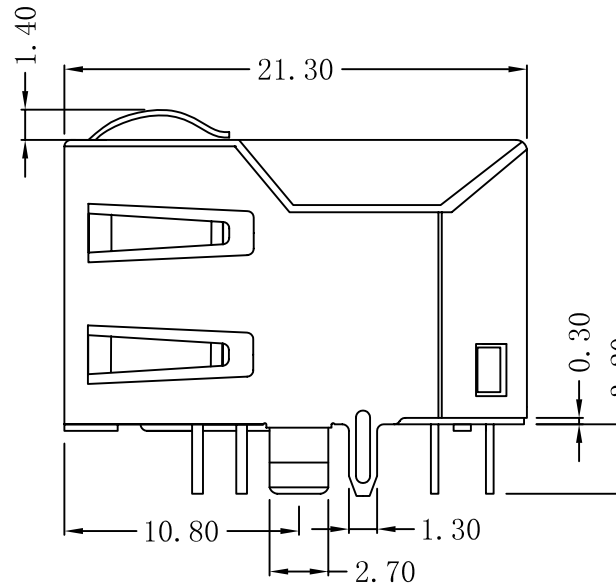
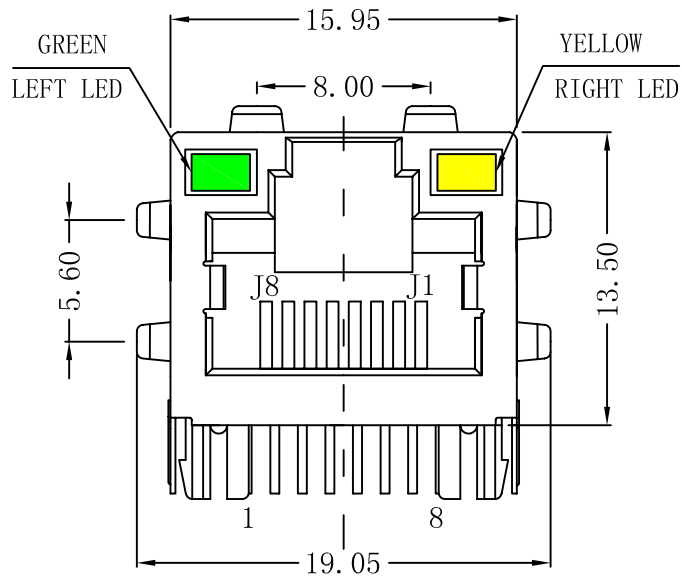
- Turns Ratio ( $\pm 2\%$ ) :  
TX=1CT:1CT      RX=1CT:1CT
- Primary Inductance(1-2, 5-6): 350uH Min  
@100KHz, 0.1Vrms, 8mA DC bias
- Insertion Loss:  
0.5-100MHz: -1.1dB Max
- Return Loss(dB Min):  
0.5-30MHz:-18;  
30.1-60MHz:-[18-20LOG(f/30)]  
60.1-80MHz:-12
- Crosstalk(dB Min):  
0.5-40MHz: -35  
40.1-100MHz: -[33-20LOG(f/50)]
- Common Mode Rejection Ratio:  
0.5-100MHz: -30dB Min
- Hipot Test: 1500Vrms
- Operating Temperature: 0°C~70°C.



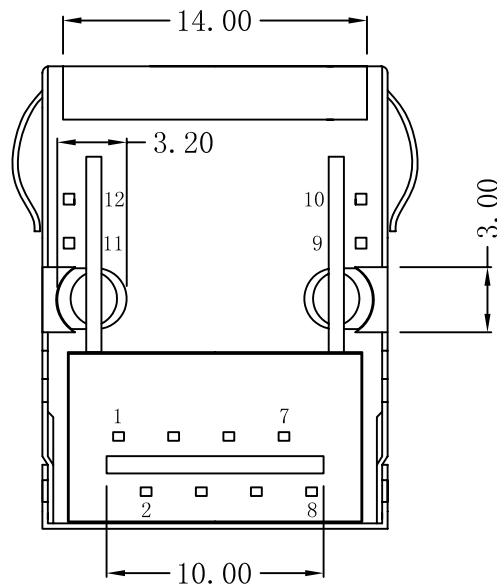
|        |               |            |   |
|--------|---------------|------------|---|
| X:X    | $\pm 0.25$    | APPD:      | LINK-PP INT'L TECHNOLOGY CO., LIMITED                                   |
| X:XX   | $\pm 0.10$    | CHKD:      |   |
| X:XXX  | $\pm 0.05$    | DR: TOM    | TITLE: RJ45 Connector With 10/100 Base-TX<br>Integrated Magnetic TAB-UP |
| ANGLES | $\pm 1^\circ$ | UNIT: mm   | PART NO.: LPJ16264AENL  |
|        | SCALE: 2/1    | SHEET: 1/2 | REV: A      DWG NO: LP12112801  |

# Mechanical:

| REV. | ECN NO. | DESCRIPTION | DATE       | APPD |
|------|---------|-------------|------------|------|
| A    | REL     |             | 2012/11/28 |      |



Suggested PCB Layout (Top View)



## NOTES:

1. Designed to support application, such as SOHO (ADSL modems), LAN-on-Motherboard (LOM), hub and Switches.
2. Meets IEEE 802.3 specification
3. Connector Materials:  
Housing: Thermoplastic UL94V-0  
Contact/Shield: Copper alloy  
Shield plating: Nickel  
Contact plating: Gold 6 micro-inches min. In contact area.
4. Wave solder tip temperature: 265°C Max  
Wave solder tip temperature time: 5 Sec Max



|        |            |            |  |
|--------|------------|------------|--|
| X:X    | ±0.25      | APPD:      | LINK-PP INT'L TECHNOLOGY CO., LIMITED                                |
| X:XX   | ±0.10      | CHKD:      |  |
| X:XXX  | ±0.05      | DR: TOM    | TITLE: RJ45 Connector With 10/100 Base-TX Integrated Magnetic TAB-UP |
| ANGLES | ±1°        | UNIT: mm   | PART NO.: LPJ16264AENL   |
|        | SCALE: 2/1 | SHEET: 2/2 | REV: A<br>DWG NO: LP12112801   |