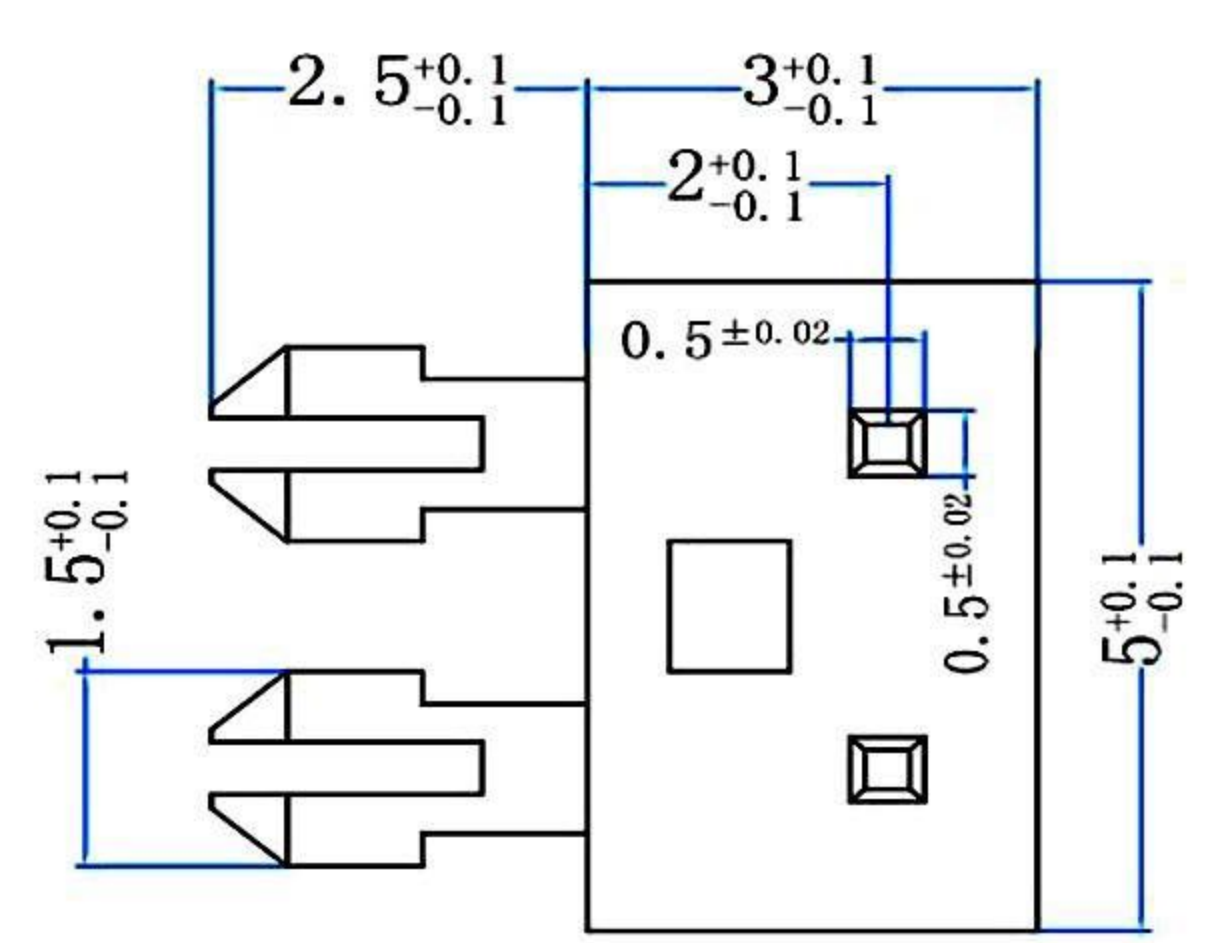
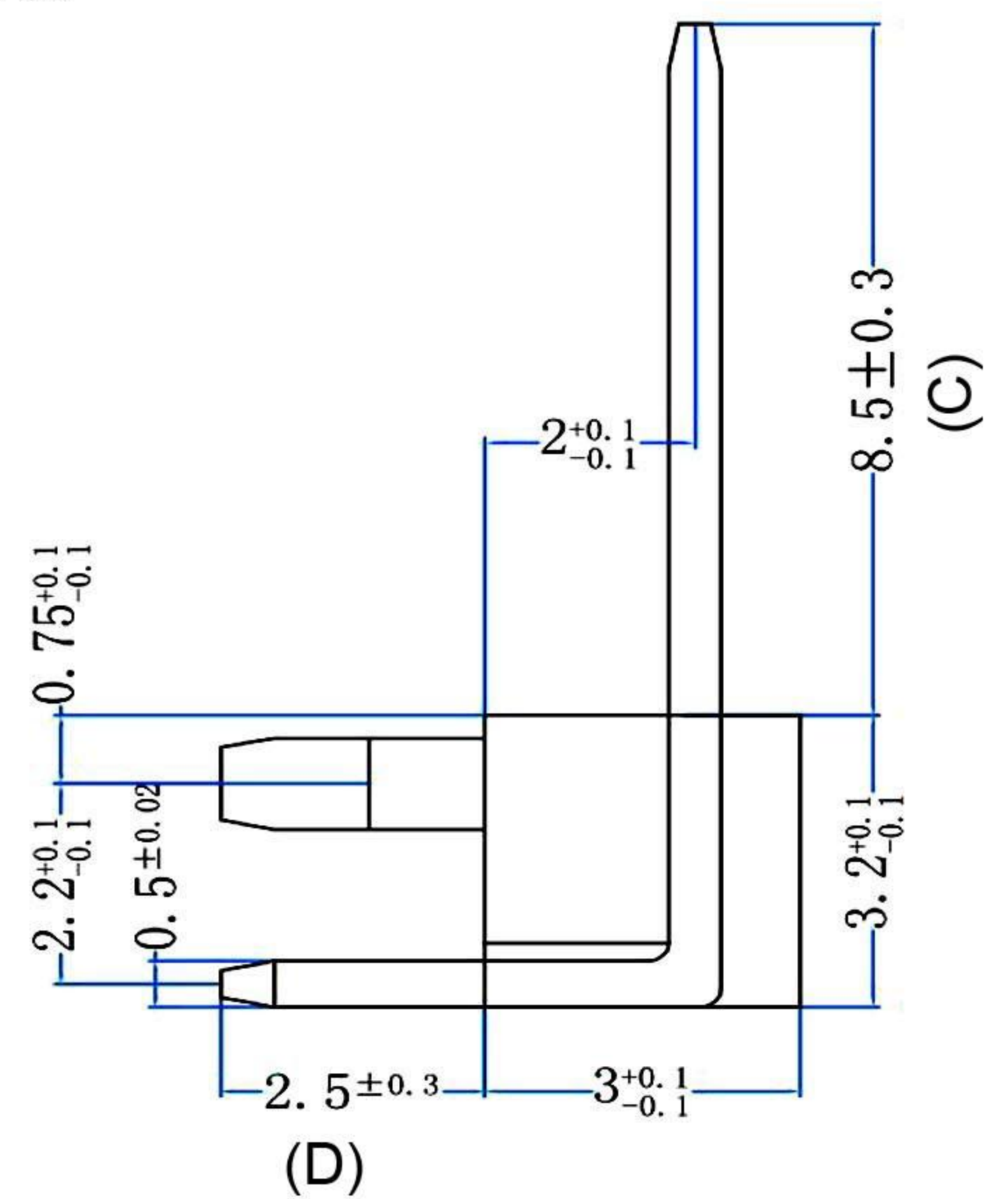
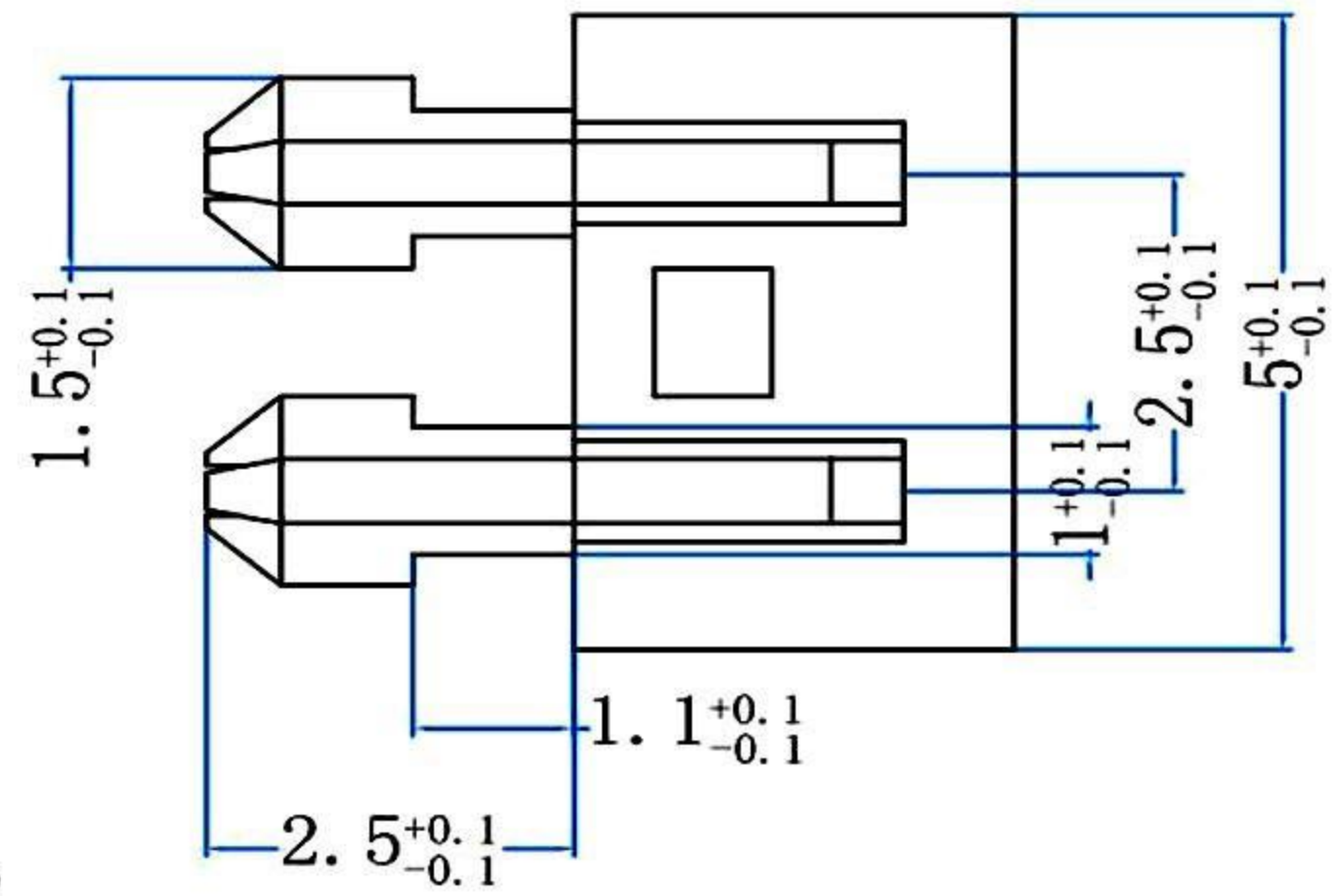
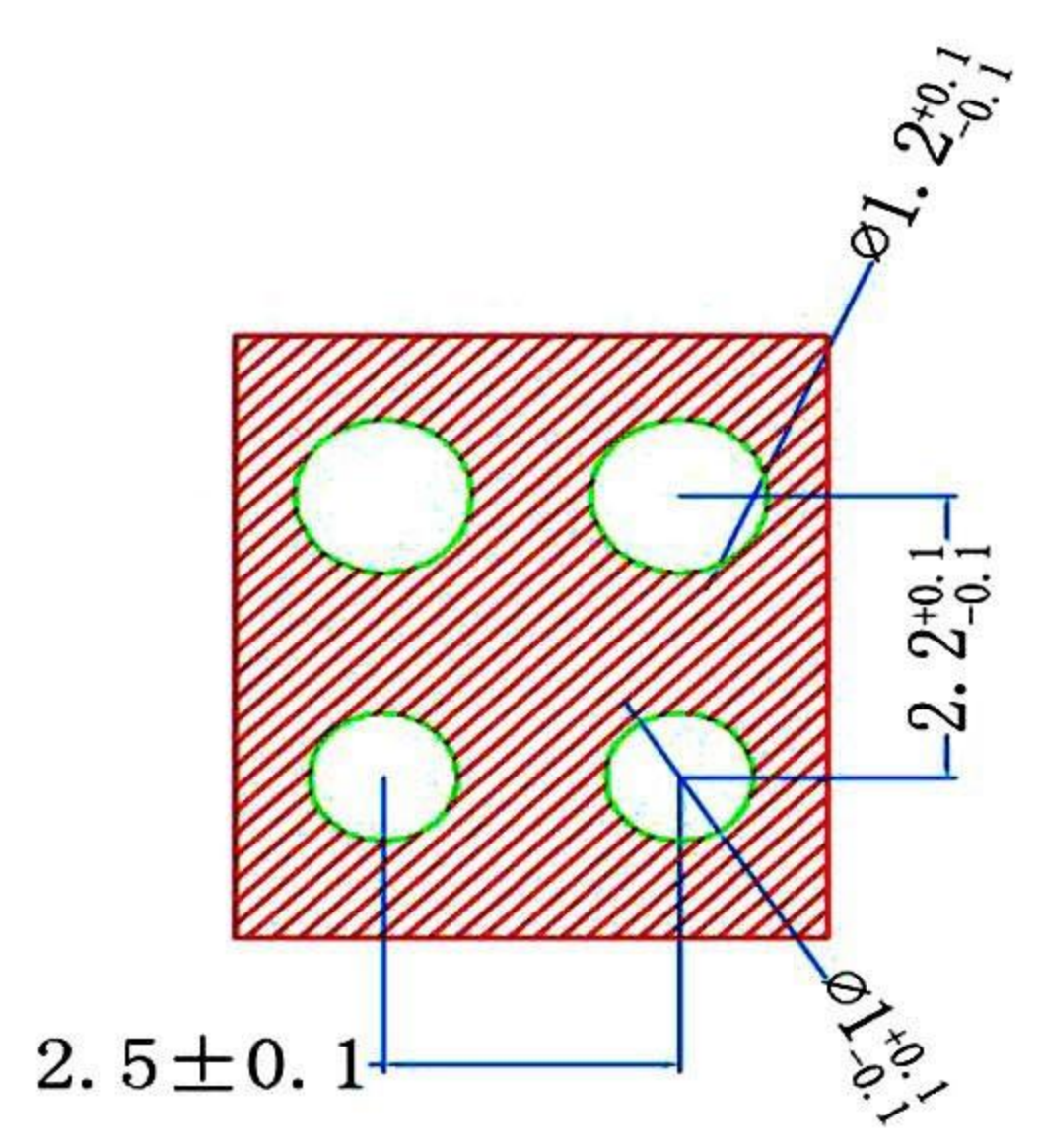
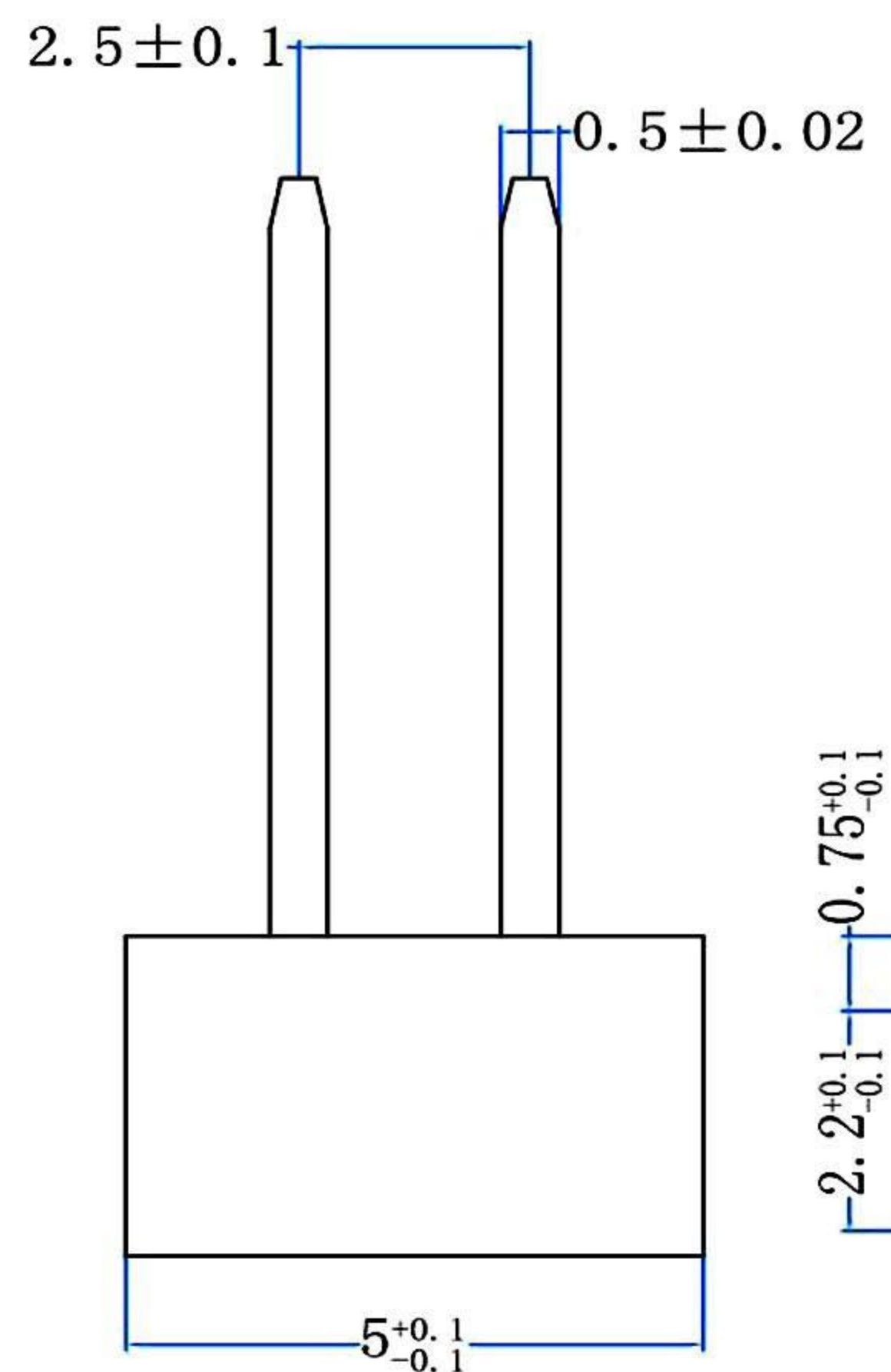


1 2 3 4 5 6 7 8

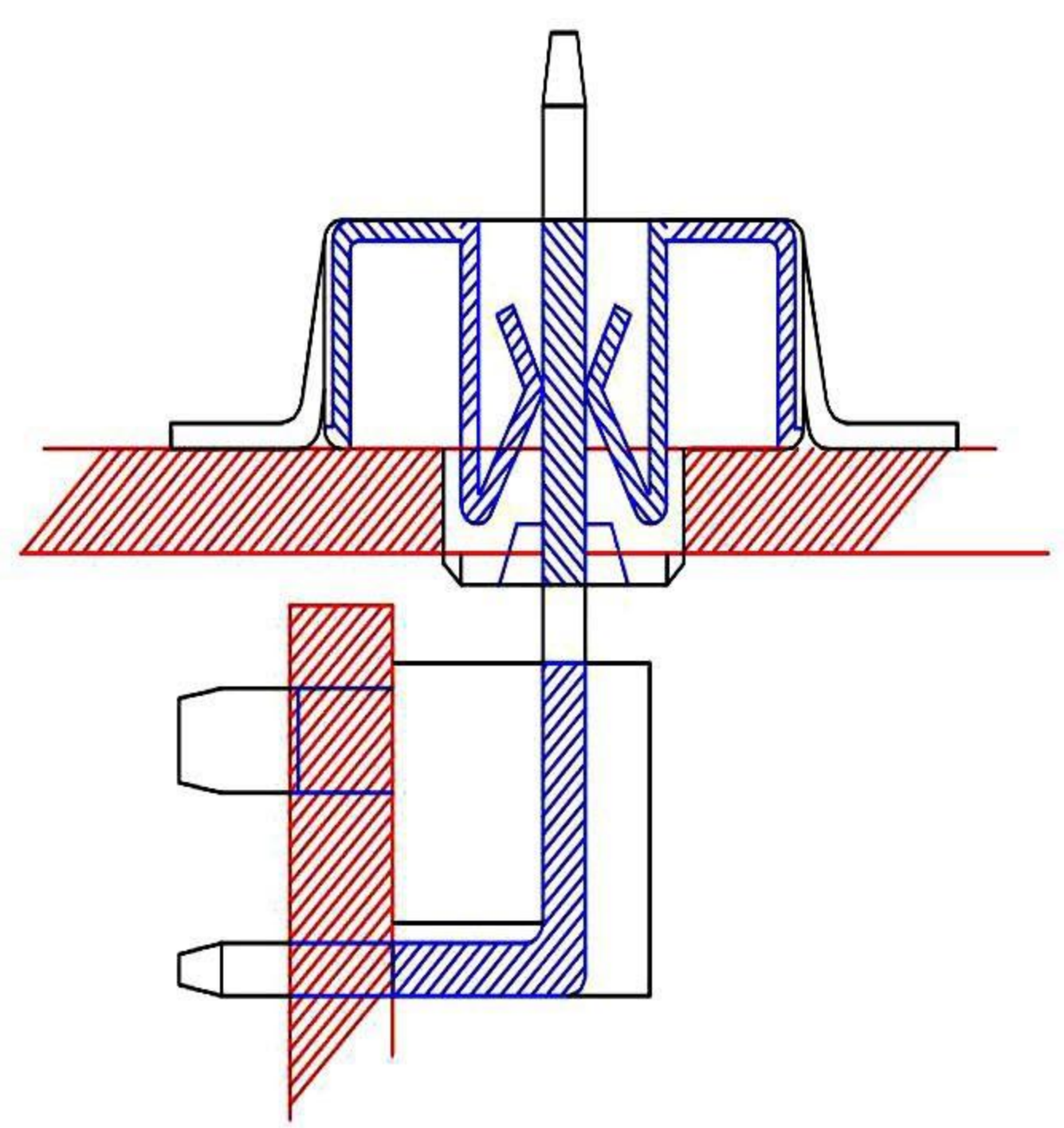
A
B
C
D
E
F
G
H

A
B
C
D
E
F
G
H



NOTE:

1. PLASTIC MATERIAL: LCP
2. TERMINAL MATERIAL : PHOSPHOR BRONZE
3. FINISH : TIN PLATING
4. WORKING TEMPERATURE : -40°C ~ +110°C
5. VOLTAGE RATING : 250V, AC,DC
6. CURRENT RATING : 2A AC DC
7. CONTACT RESISTANCE : ≤ 20mΩ
8. INSULATION RESISTANCE : ≥ 800mΩ
9. WITHSTAND VOLTAGE : 1500V,AC/minute



RoHS
Compliant

APPD. 核准		TOLERANCE 容許公差	PART NAME 2.5mm LED CONNECTOR 2PIN RIGHT ANGLE TYPE (C=8.5mm D=2.5mm) MATERIAL:PHOSPHOR BRONZE TIN PLATING WITH LOCATING PEG REEL PACKING BEIGE COLOR (MATERIAL:LCP) ROHS
DWG. 製圖		SCALE 比例	
DATE 制表日	Betty	UNIT 單位	SIZE. 紙張尺寸
2019/06/11		MM	A 4
		PAGE 張數	REV. 版次
		1 OF 1	A

1 2 3 4 5 6 7 8