

REV.	DESCRIPTION	DRAWN	CHECKED	APPROVED
A	NEW RELEASE	LJC 11/18/11'		

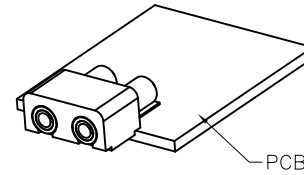
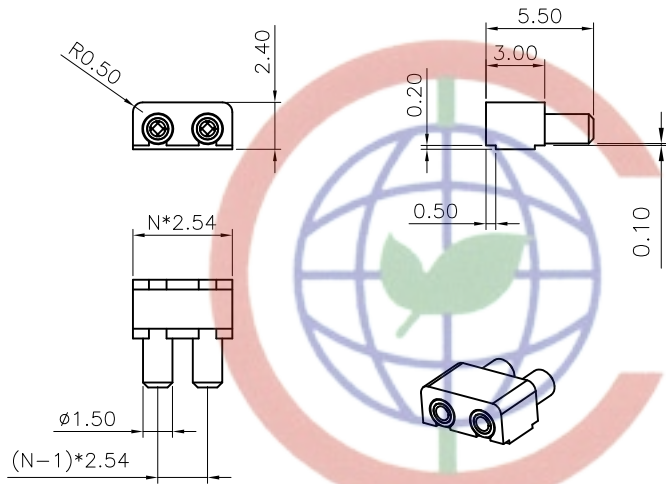


Figure of PCB Mounting

NOTES:

1.Materials:

- 1.1. Insulator: High Temperature 260°C,UL94-HB Rated, color of white or black.RoHS,REACH compliance.
- 1.2. Pin: Copper Alloy, Plating Matt Tin or Gold.
- 1.3. Clip: Beryllium Copper, C17200,Full Gold plating.

2.Specifications:

- 2.1. Temperature Range: -55~+125°C.
- 2.2. Contact Resistance: 10mΩ maximum.
- 2.3. Insulation Resistance: 1000MΩ minimum.
- 2.4. Dielectric Withstanding Voltage: 500V AC 1 minute.
- 2.5. Voltage Rating: 100V AC/DC.
- 2.6. Current Rating: 1A max per pin.
- 2.7. Application insert pin: Ø0.45~Ø0.60mm.
- 2.8. Resistance to soldering heat: 260°C,3-5seconds.
- 2.9. Durability: 1000 cycles min.

3. Product Number Code:

DS1137 - X X X X X X

- Packing Type
R: Tape On Reel.
- Clip plating(Female Only)
6: Full matt tin.
8: Full gold flash.
C: Full 3u" gold.
- Pin plating
6: Full matt tin.
8: Full gold flash.
- Housing Color
W: White
B: Black
- Connector Type
F: Female
M: Male
- No. of positions
2: 2p ~ 10: 10p

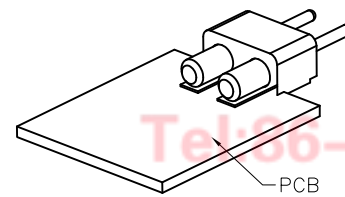
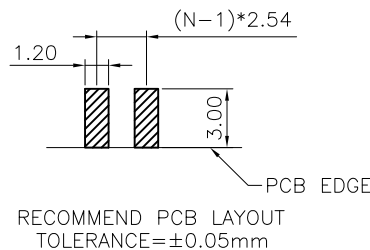
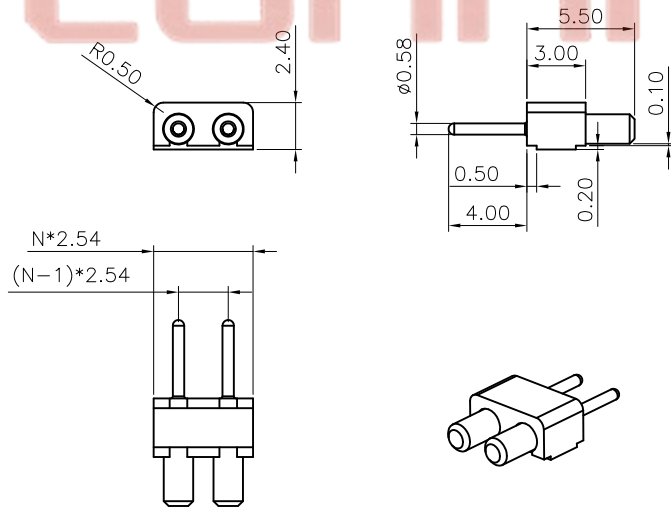


Figure of PCB Mounting



Female

Male

GENERAL TOLERANCE		ANGLE TOLERANCE		PROJECTION	TITLE
X.	±0.60	X.	±5°	mm	2.54mm LED Series Plug & Socket
.X	±0.38	.X	±3°	A4	SMT Type Connector
.XX	±0.25	.XX	±2°		SERIES DS1137 SERIES
DRAWING TYPE		CUSTOMER		晨翔电子有限公司 CONNFLY CONNFLY ELECTRONIC CO. LTD	
SCALE		1:1 SHEET 1 OF 1			
DRAWING NO.		C-DS1137-XXXXXX			