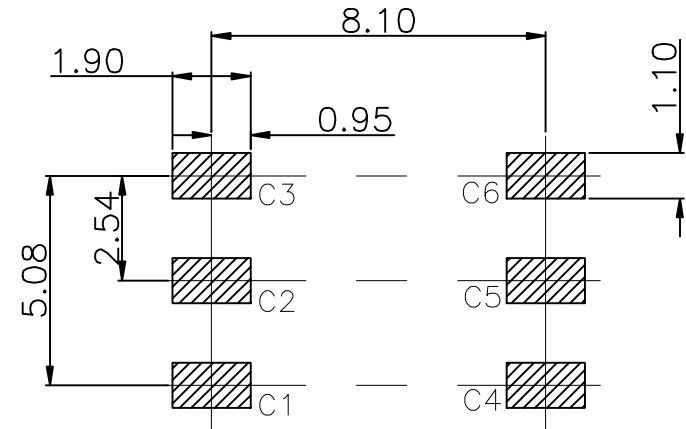
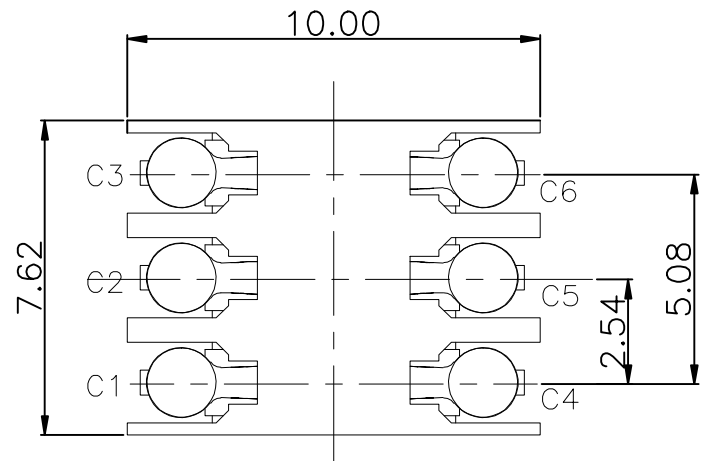
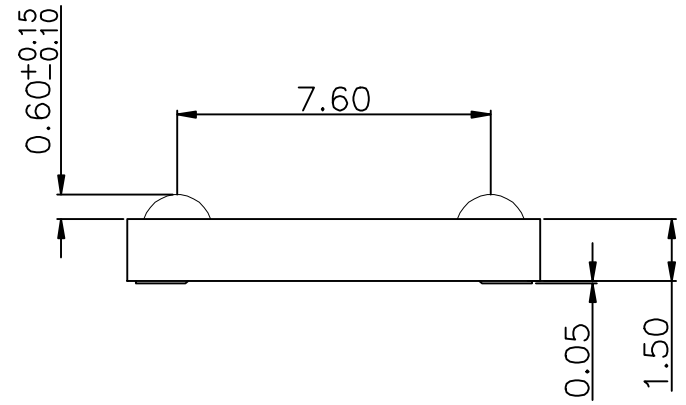
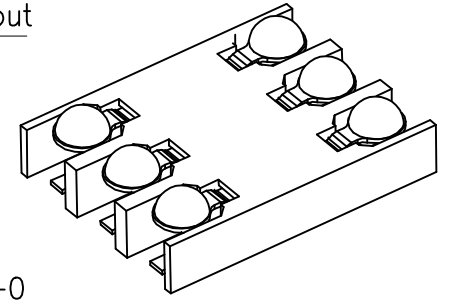


REV.	ECN.NO.	MODIFY.CONTENT	DATE
A		NEW	2012/07/12



Recommended P.C.B Layout  
(Tolerance= 0.05)



NOTES:

- Material:  
Housing:HI-Temp plastic UL 94V-0  
Contact:Copper Alloy
- Finish :  
CONTACT:G/F" Gold plated on conatct area;  
G/F plated on solder tails, Base Nickel

SIM CARD		GENERAL TOLERANCE		DWG NO.	LZA0712-002	APPD:	WIND	Scale	1:1
PIN NO.	DESCRIPTION	X.±0.45	x.'±5'	Title	简易 SIM CARD 6P 1.5H	CHKD:		UNIT	mm
C1	VCC	.X±0.35	.x'±2'			DR:			
C2	RST	.XX±0.25	.xx'±1'	Part NO.	ASMFS150A01BR020	Date	2012/07/12		
C3	CLK	.XXX±0.15	.xxx'±0.5'						
C4	RESERVED								
C5	GND								
C6	VPP	SHEET	1/1						

东莞市捷圣泰电子科技有限公司  
Dongguan JASSTA Electronics Co., LTD