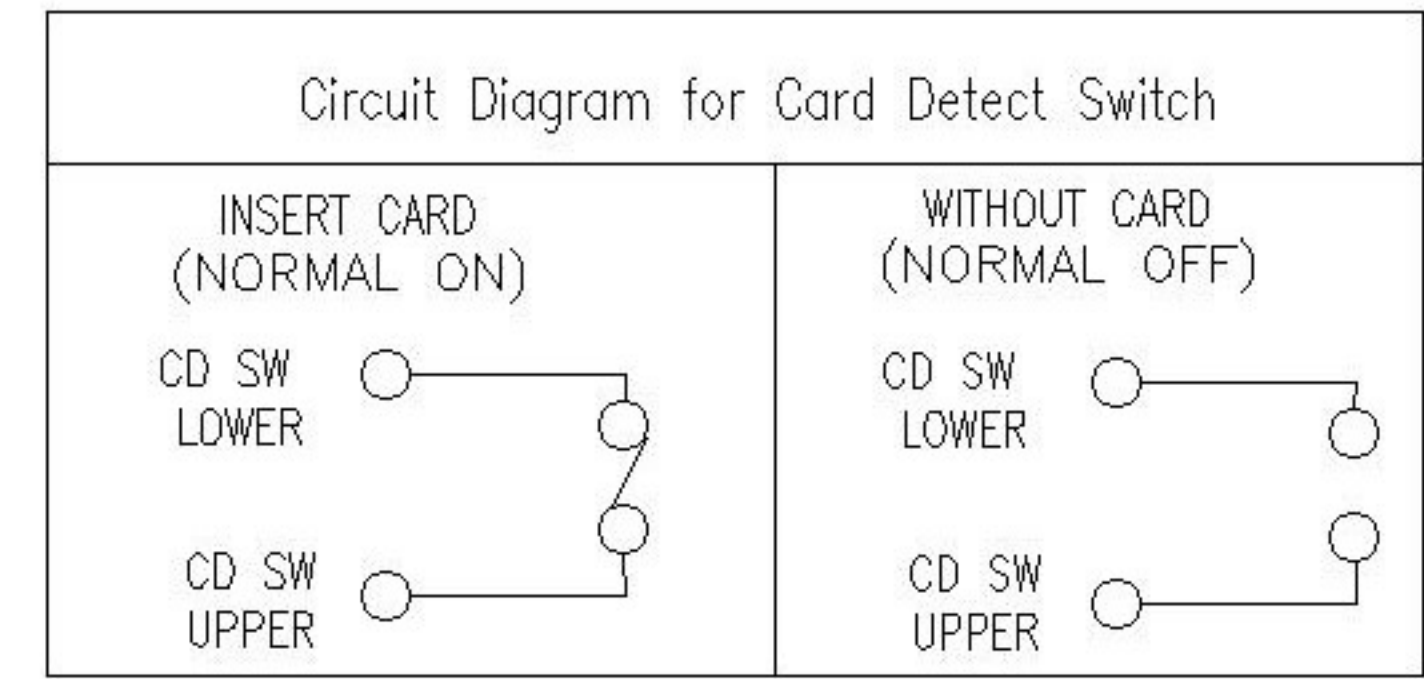


Specification

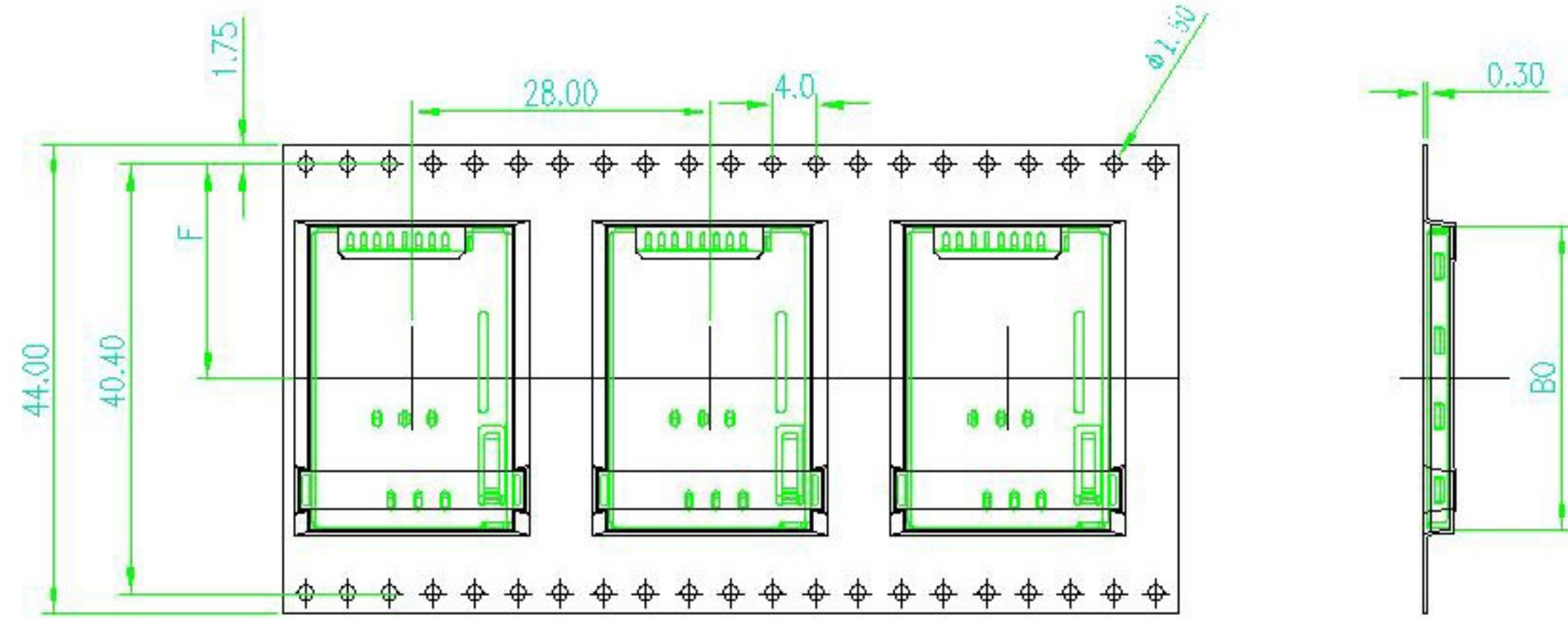
- * Electrical Characteristics :
 - Current Rating: 0.5A AC/DC Max.
 - Dielectric Withstanding Voltage: 250V AC/DC
 - Insulation Resistance: 500M ohms Min.
 - Contact Resistance: 100m ohms Max.
- * Mechanical Characteristics:
 - Mating Cycles: 5000 Insertions.
- * Environmental :
 - Operating Temperature: -40°C to +85°C.
- * Material:
 - Housing: HI-Temp plastic UL 94V-0 Rated.
 - Contact: Copper Alloy.
 - Shell: Stainless Steel, t=0.20mm.
- * Plating :
 - Terminal:
 - Contact area: G/F Plated Over Nickel.
 - Solder area: Tin Plated Over Nickel.
 - Under plate: Nickel.
 - Shell:
 - Nickel Plated Over All,
 - Solder Area: Gold Flash.

PIN NO.	DESCRIPTION
P1#	C1:VCC
P2#	C5:GND
P3#	C2:RST
P4#	C6:VPP
P5#	C3:CLK
P6#	C7:I/O
P7#	CD SW LOWER
P8#	CD SW UPPER



REVISIONS					UNSPECIFIED TOLERANCES	DSND	DATE	SCALE: N/A	MODEL TYPE: SIM CARD CONN		
△X					ANGLAR		DATE	VIEW:	PART NO.:		
△X					$L \leq 4$	$\pm 5^\circ$	DATE	UNIT: mm	DWG NO.:		
△X					$4 < L \leq 16$	± 0.2	DATE	SIZE: A4	XKSIM-010		
MARK	DESCRIPTION	DATE	REVISED	APPROVED	$16 < L \leq 63$	± 0.3	DATE		WEIGHT	SHEET	REVISION
					$L > 63$	± 0.4	DATE		1.0g	1/1	A0
									KKB INDUSTRIAL PRECISION CO., LIMITED		

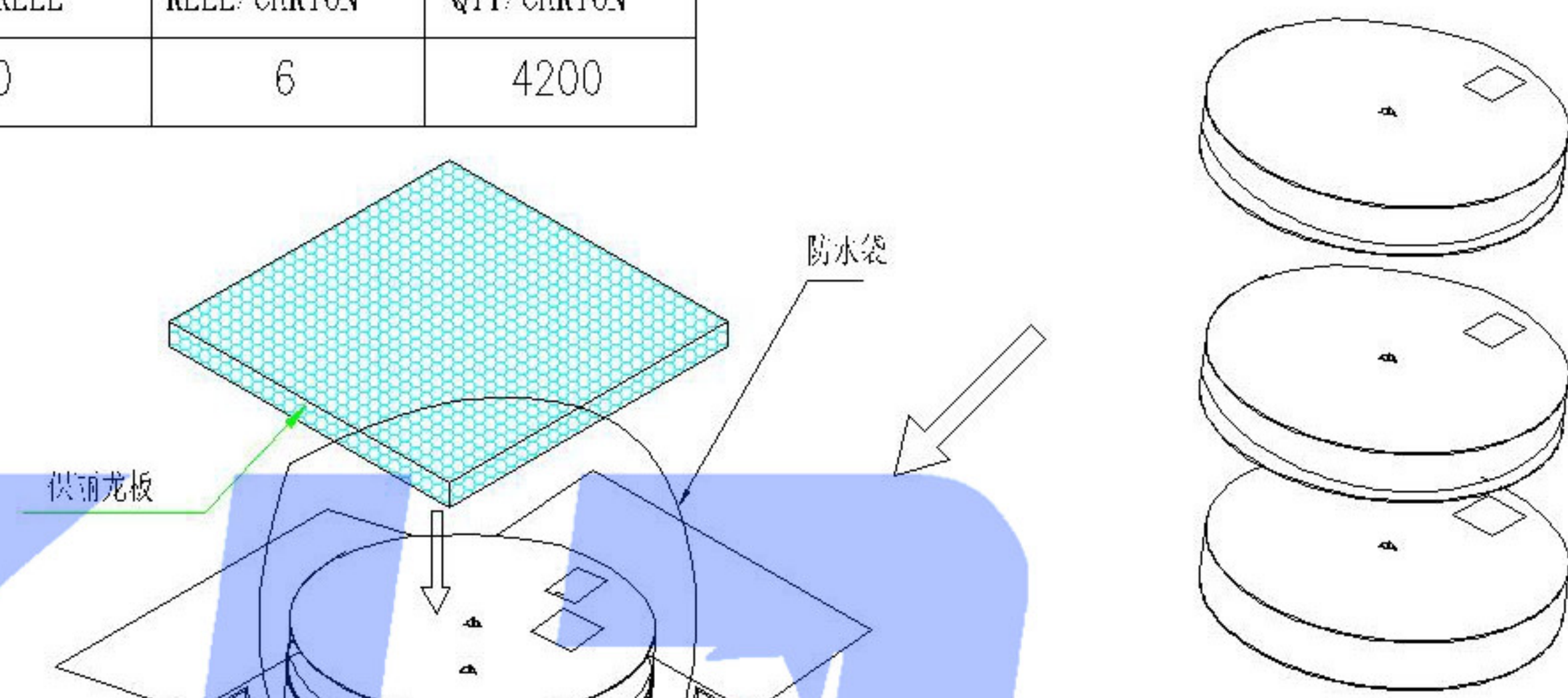
<图一>



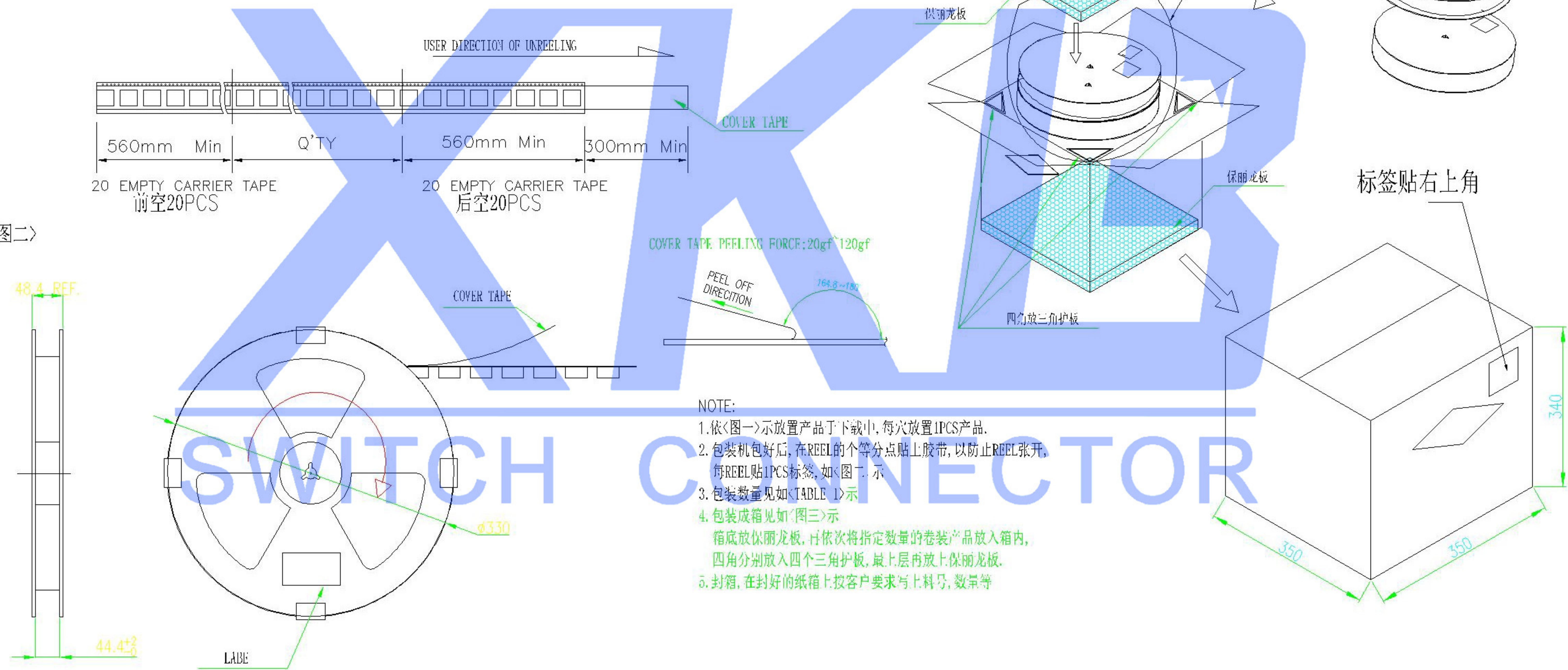
<TABLE 1> PACKAGING QUANTITY

QTY/REEL	REEL/CARTON	QTY/CARTON
700	6	4200

<图三>



<图二>



- NOTE:
1. 依<图一>示放置产品于下表中, 每次放置1PCS产品.
 2. 包装机包好后, 在REEL的个等分点贴上胶带, 以防止REEL张开, 每REEL贴1PCS标签, 如<图二>示.
 3. 包装数量见如<TABLE 1>示.
 4. 包装成箱见如<图三>示.
箱底放防静电板, 并依次将指定数量的卷装产品放入箱内, 四角分别放入四个三角护板, 最上层再放上防静电板.
 5. 封箱, 在封好的纸箱上按客户要求写上料号, 数量等.

MARK	DESCRIPTION	DATE	REVISED	APPROVED	UNSPECIFIED TOLERANCES	DSND	DATE	SCALE: N/A	MODEL TYPE: SIM CARD CONN		
△X					ANGLAR ±5°	DWN	DATE	VIEW:	PART NO.:		
△X					L ≤ 4 ±0.2	CHKD	DATE	UNIT: mm	DWG NO.:		
△X					4 < L ≤ 16 ±0.3	APPD	DATE	SIZE: A4	XKSIM-010		
					16 < L ≤ 63 ±0.4	XKB INDUSTRIAL PRECISION CO., LIMITED			WEIGHT	SHEET	REVISION
					L > 63 ±0.5				1.0g	1/1	A0