

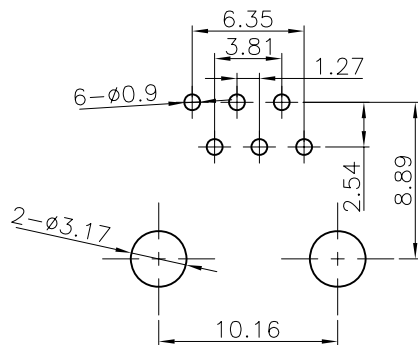
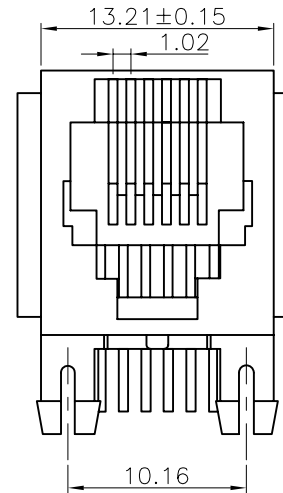
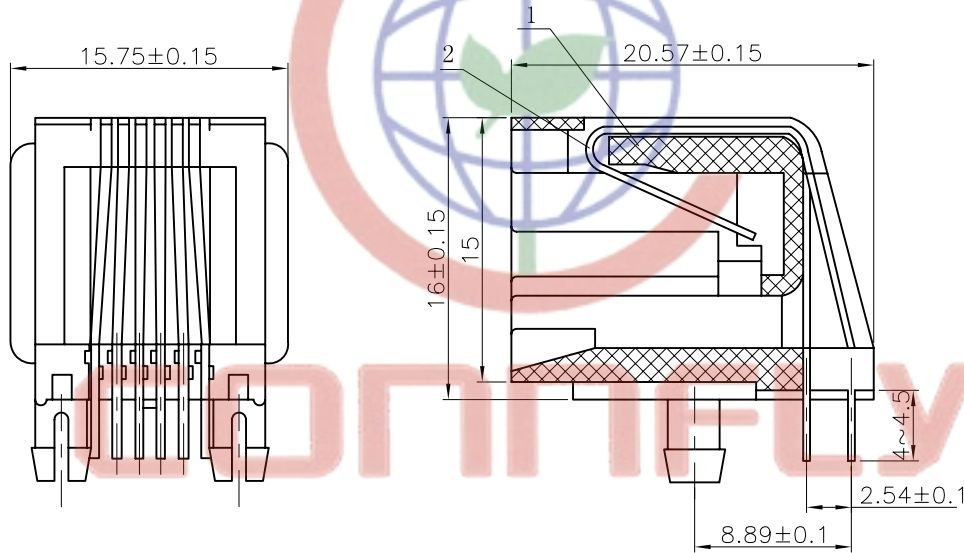
REV.	DESCRIPTION	DRAWN	CHECKED	APPROVED
A	NEW RELEASE	LL 06/26/06'		

SPECIFICATION

1. Insulation Resistance:1000MΩ Min.
2. Withstand Voltage:500V AC/Minute.
3. Durability:600 Mating Cycles Min.
4. Product Number Code:

DS1133-01-X X X X X

- Housing Materials
P:PBT
N:NYLON
- Housing Color
B:Black
- Contact Plating
0:Gold Flash
3:3u" Gold
6:6u" Gold
15:15u" Gold
30:30u" Gold
- No.Of Contacts
4:6P4C
6:6P6C
- Connector Type
S:Socket
- Series No.
DS1133-01



RECOMMEND PCB LAYOUT
TOLERANCE=±0.05mm

Tel:86-574-63508787
Fax:86-574-63510817
E-mail:sale@zhenqin.com.cn
Http://www.connfly.com

GENERAL TOLERANCE		ANGLE TOLERANCE		PROJECTION	TITLE
X.	±0.60	X.	±5°		PCB JACK 6P
.X	±0.38	.X	±3°	mm	
.XX	±0.25	.XX	±2°	A4	SERIES DS1133-01 SERIES

No.	PART NAME	QTY	MATERIAL	REMARK
(2)	PIN		PHOSPHOR BRONZE	GOLD-PLATING OVER NICKEL
(1)	HOUSING	1	PBT OR NYLON	UL94 V-0 OR 94 V-2

DRAWING TYPE	CUSTOMER
SCALE	1:1 SHEET 1 OF 1
DRAWING NO.	C-DS1133-01-XXXXX

晨翔电子有限公司
CONNFLY CONNFLY ELECTRONIC CO. LTD