

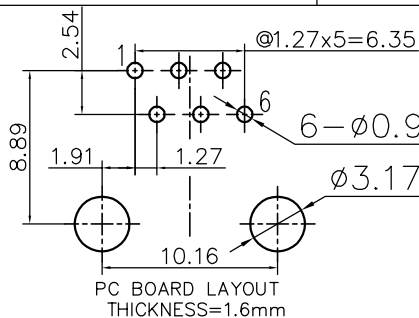
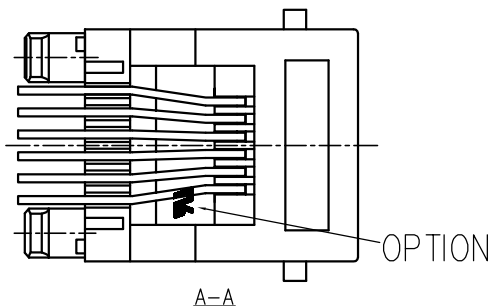
电气特性:

1. 额定电压: 150 VAC RMS
2. 额定电流: 1.5 AMPS@25° C
3. 接触电阻: 20mΩ MAX.
4. 绝缘电阻: 1000 MΩ MIN. @500 VDC
5. 耐压强度: : CONTACT TO CONTACT :1000V DC OR AC PEAK;  
: CONTACT TO SCREEN AND TEST PANEL :1500V DC OR AC PEAK  
@0.5mA 50Hz 或 60Hz 一分钟.

环境特性:

1. 储存温度: -40°C~+85°C 相对湿度<80%.
2. 工作温度: -40°C~+85°C
3. 储存时间 :12个月

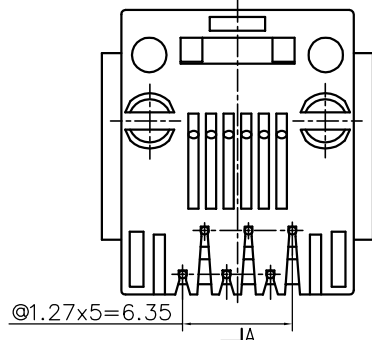
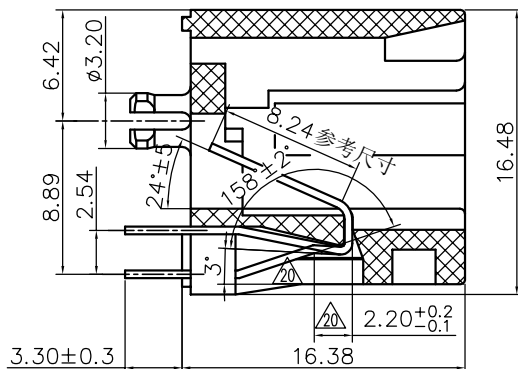
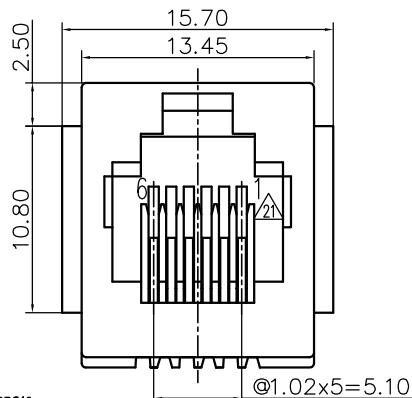
A



REV. 版本	ECN NO. 变更单号	DESCRIPTION 变更说明	DATE 日期
02-17		ADD P/N	2011.10.25
16		新增样式	2011.01.18
18-19		新增料号	2012.06.12
20		BC12050700	2012.05.07
21		BC12060608	2012.06.08
22		见第三页	2012.8.22
23-24		见第四页	2013.04.13
26-27		见第四页	2014.01.22
28-30		此页未变更	2015.08.22

A

B



机构特性:

1. 塑壳材质: PBT/PA66/ABS;
2. 圆针材质: 磷青铜, Ø0.46mm;
3. 圆针电镀: 镍底, 表面全部镀金;
4. 插入/拔出力: 30N Max.
5. 配合强度: 50N for 60s±5s.
6. 使用寿命: 最少750次插拔.

B

NOTES:

ELECTRICAL:

1. VOLTAGE RATING : 150 VAC RMS.
2. CURRENT RATING : 1.5 AMPS@25° C
3. CONTACT RESISTANCE : 20 mΩ MAX.
4. INSULATION RESISTANCE : 1000 MΩ MIN @500VDC.
5. WITHSTAND VOLTAGE : CONTACT TO CONTACT :1000V DC OR AC PEAK;  
: CONTACT TO SCREEN AND TEST PANEL :1500V DC OR AC PEAK  
@0.5mA 50Hz OR 60Hz 1 min.

MECHANICAL:

1. HOUSING MATERIAL : PBT/PA66/ABS .
2. CONTACT MATERIAL : PHOSPHOR BRONZE Ø0.46mm.
3. CONTACT PLATING : GOLD PLATING OVER NICKEL.
4. MATING/UNMATING FORCE: : 30N Max..
5. RETENTION STRENGTH : 50N for 60s±5s.
6. DURABILITY : 750 CYCLES MIN.

ENVIRONMENTAL:

1. STORAGE TEMPERATURE : -40°C~+85°C RELATIVE HUMIDITY<80%
2. OPERATION TEMPERATURE : -40°C~+85°C
3. GUARANTEE PERIOD : 12 MONTHS

MATES WITH MODULAR PLUG CONFORMING TO FCC PART 68, SUBPART F.

C

C

ROHS PART NUMBER:

NEW P/N	ROHS PART NUMBER	DESCRIPTION	LOGO	MATERIAL COLOR 材质
	BS22N-626P-M026	RJ11 1X1 5222 6P2C(3.4) SPLIT PEG //5222插座 6P2C G/F (有耳香插脚有网) UL	LOGO	PBT BLACK 黑
	BS22N-6259-M003	RJ11 1X1 5222 6P2C(3.4) SPLIT PEG //5222插座 6P2C 500 (有耳香插脚有网)	LOGO	PBT GRAY 浅灰
	BS22N-6259-M006	RJ11 1X1 5222 6P2C(3.4) SPLIT PEG //5222插座 6P2C 500 (有耳香插脚有网)	LOGO	PBT YELLOW 黄101U
	BS22N-6259-M009	RJ11 1X1 5222 6P2C(3.4) SPLIT PEG //5222插座 6P2C 500 (有耳香插脚有网)	LOGO	PBT GREEN 绿346U
102016626006	BS22N-6259-M019	RJ11 1X1 5222 6P2C(3.4) SPLIT PEG //5222插座 6P2C 500 (有耳香插脚有网)	LOGO	PBT BLACK 黑
102016644015	BS22N-640P-M023	RJ11 1X1 5222 6P4C(2.3.4.5) SPLIT PEG //5222插座 6P4C G/F (有耳香插脚有网)	LOGO	PBT BLACK 黑
102016644011	BS22N-666P-M018	RJ11 1X1 5222 6P6C SPLIT PEG //5222插座 6P6C G/F (有耳香插脚有网)	LOGO	PBT BLACK 黑
102016668007	BS22N-6603-M018	RJ11 1X1 5222 6P6C SPLIT PEG //5222插座 6P6C 3U (有耳香插脚有网)	LOGO	PBT BLACK 黑
	BS22N-640P-M001	RJ11 1X1 5222 6P4C(2.3.4.5) SPLIT PEG //5222插座 6P4C G/F (有耳香插脚有网)	LOGO	PA66 YELLOW 黄114C
102016660011	BS22N-6606-M018	RJ11 1X1 5222 6P6C SPLIT PEG //5222插座 6P6C 6U (有耳香插脚有网)	LOGO	PBT BLACK 黑
102016646005	BS22N-6459-M023	RJ11 1X1 5222 6P4C(2.3.4.5) SPLIT PEG //5222插座 6P4C 500 (有耳香插脚有网)	LOGO	PBT BLACK 黑
102016660004	BS22N-6615-M018	RJ11 1X1 5222 6P6C SPLIT PEG //5222插座 6P6C 15U (有耳香插脚有网)	LOGO	PBT BLACK 黑
102016640011	BS22N-6406-M023	RJ11 1X1 5222 6P4C(2.3.4.5) SPLIT PEG //5222插座 6P4C 6U (有耳香插脚有网)	LOGO	PBT BLACK 黑
102016624011	BS22N-626P-M019	RJ11 1X1 5222 6P2C(3.4) SPLIT PEG //5222插座 6P2C G/F (有耳香插脚有网)	LOGO	PBT BLACK 黑
	BS22N-666P-M001	RJ11 1X1 5222 6P6C SPLIT PEG //5222插座 6P6C G/F (有耳香插脚有网)	LOGO	PA66 BLACK 黑
	BS22N-6659-M018	RJ11 1X1 5222 6P6C SPLIT PEG //5222插座 6P6C 30U (有耳香插脚有网)	LOGO	PA66 BLACK 黑
	BS22N-6406-M008	RJ11 1X1 5222 6P4C(2.3.4.5) SPLIT PEG //5222插座 6P4C 6U (有耳香插脚有网)	LOGO	PA66 GRAY 灰
10201662A007	RJ11 1X1 5222 6P2C(3.4) SPLIT PEG //5222插座 6P2C G/F (有耳香插脚有网)		LOGO	PBT WHITE 白
	BS22N-6215-M019	RJ11 1X1 5222 6P2C(3.4) SPLIT PEG //5222插座 6P2C 15U (有耳香插脚有网)	LOGO	PBT BLACK 黑
	BS22N-626P-M029	RJ11 1X1 5222 6P2C(3.4) SPLIT PEG //5222插座 6P2C G/F (有耳香插脚有网)	LOGO	PBT WHITE 白D0004
10201666C012	BS22N-6606-M011	RJ11 1X1 5222 6P6C SPLIT PEG //5222插座 6P6C 6U (有耳香插脚有网)	LOGO	PBT GRAY 灰
10201664A026	BS22N-640P-M001	RJ11 1X1 5222 6P4C(2.3.4.5) SPLIT PEG //5222插座 6P4C G/F (有耳香插脚有网)	LOGO	PBT GRAY 浅灰3U
	BS22N-6239-M019	RJ11 1X1 5222 6P2C(3.4.5) SPLIT PEG //5222插座 6P2C 30U (有耳香插脚有网)	LOGO	PBT BLACK 黑
10201664A008	BS22N-640P-M001	RJ11 1X1 5222 6P4C(2.3.4.5) SPLIT PEG //5222插座 6P4C G/F (有耳香插脚有网)	LOGO	ABS浅透黄4#
10201664A017	BS22N-640P-M007	RJ11 1X1 5222 6P4C(2.3.4.5) SPLIT PEG //5222插座 6P4C G/F (有耳香插脚有网)	LOGO	PBT GRAY 灰
10201662A014	BS22N-626P-M027	RJ11 1X1 5222 6P2C(3.4) SPLIT PEG //5222插座 6P2C G/F (有耳香插脚有网)	LOGO	PBT GRAY 灰
10201664D009	BS22N-6415-M023	RJ11 1X1 5222 6P4C(2.3.4.5) SPLIT PEG //5222插座 6P4C 15U (有耳香插脚有网)	LOGO	PBT GRAY 灰
	BS22N-6659-M018	RJ11 1X1 5222 6P6C SPLIT PEG //5222插座 6P6C 50U (有耳香插脚有网)	LOGO	PBT BLACK 黑

D

D

RoHS Compliant

**CZT**® 温州意华接插件股份有限公司  
WENZHOU YIHUA CONNECTOR CO., LTD

TOLERANCES 公差  
00~15 ± 0.15  
15~30 ± 0.20  
30~ ± 0.25  
ANGLES ±1°

Material: 材质 SEE\_NOTE  
Finish: 电镀 SEE\_NOTE  
SHEET 1 OF 4  
第 页 共 页

Designed: 设计 陈智艳  
Checked: 审核  
Approved: 核准

NAME: 名称  
DWG NO: 图号  
PART NO: 料号

RJ11 1X1 5222 6P SPLIT PEG  
E52C07101005  
SEE\_NOTE

REV. 版本  
30



SCALE 比例 1:1  
UNIT 单位 mm  
CUSTOMER: 客户  
MODEL NO: 料号

1

2

3

4