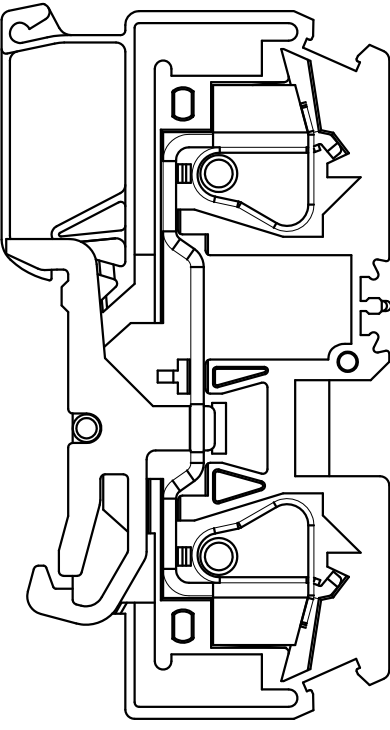
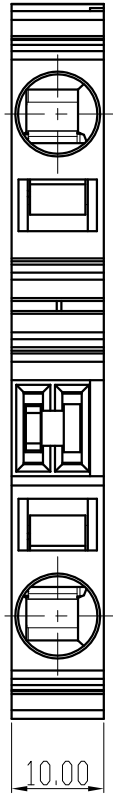
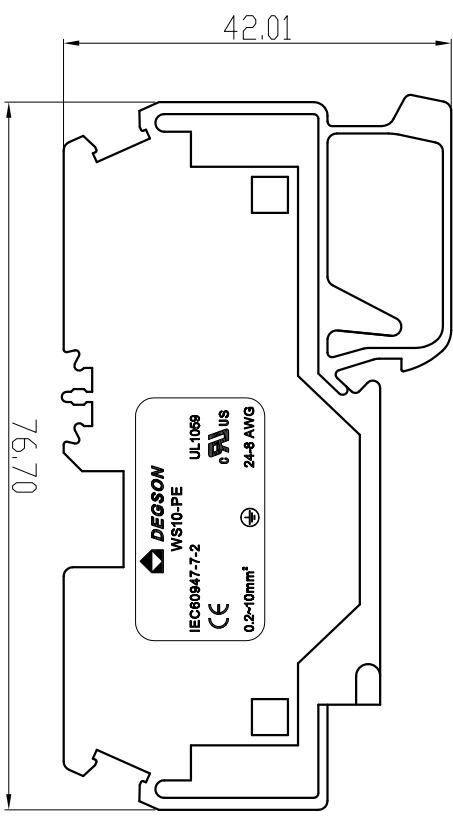


REVISION RECORD				
REV	ECN	DESCRIPTION	DRFT	DATE



A 8 7 6 5 4 3 2 1

NOTES1:

- UL Standard
- Wire range : 24~8AWG

IEC Standard

1. Pollution degree	3
Overvoltage category	III
Rate impulse voltage(KV)	8.0KV
Rate voltage(V)	/ V
Rate current(A)	/ A

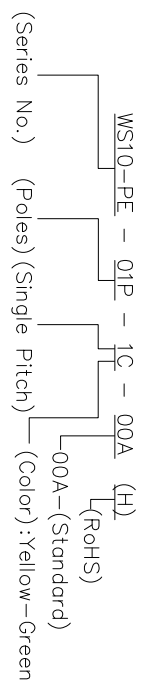
- 2. Wire range : 0.2~10mm²

NOTES2:

- 1.Dimension shall be interpreted per ASME Y14.5-2009
- 2.Pitch : 10mm, Poles : 01P
- 3.Stripping length : 13~14mm
- 4.Operating temperature: -40°C~+105°C
- 5.Undimensioned tolerances:

Pitch	range in mm		Nominal dimension		range		- / +
	Over	TO	Over	TO	Over	TO	
6	10	10	30	60	100	150	±2
10	10	24	30	60	100	150	±2
15	±0.20	±0.30	±0.30	±0.50	±0.70	±1.00	±1.30

- 6.RoHS Compliance



DETACHED LISTS	
PART NO.:	/
APPD:	/
CHKD:	/
DRFT:	/
THIRD ANGLE PROJECTION	
NAME:	DEGSON NINGBO DEGSON ELECTRICAL CO., LTD 宁波高松电子有限公司
TITLE:	CUSTOMER DRAWING
DRAWING NO.:	/
DO NOT SCALE DRAWING	
REV	DO
SHEET	1/1
SCALE	1:1

A 8 7 6 5 4 3 2 1