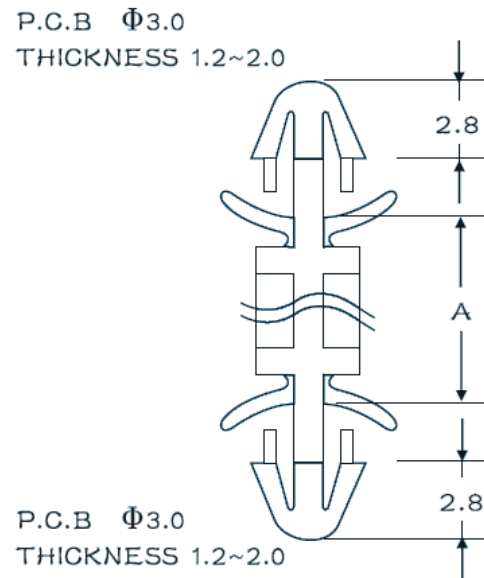


LCF SERIES

SYMBOL	A	PACKING
LCF-3	3.2	1000 PCS
LCF-4	4.0	
LCF-5	5.0	
LCF-6	6.3	
LCF-7	7.0	
LCF-8	8.0	
LCF-9	9.5	
LCF-11	11.2	
LCF-12	12.0	
LCF-15	15.0	
LCF-16	16.0	
LCF-17	17.0	
LCF-20	20.2	
LCF-22	22.0	
LCF-25	25.4	



Material: Nylon66 (UL) (RoHS)

Flame Class: 94V-2

Color: Natural

Unit: mm

