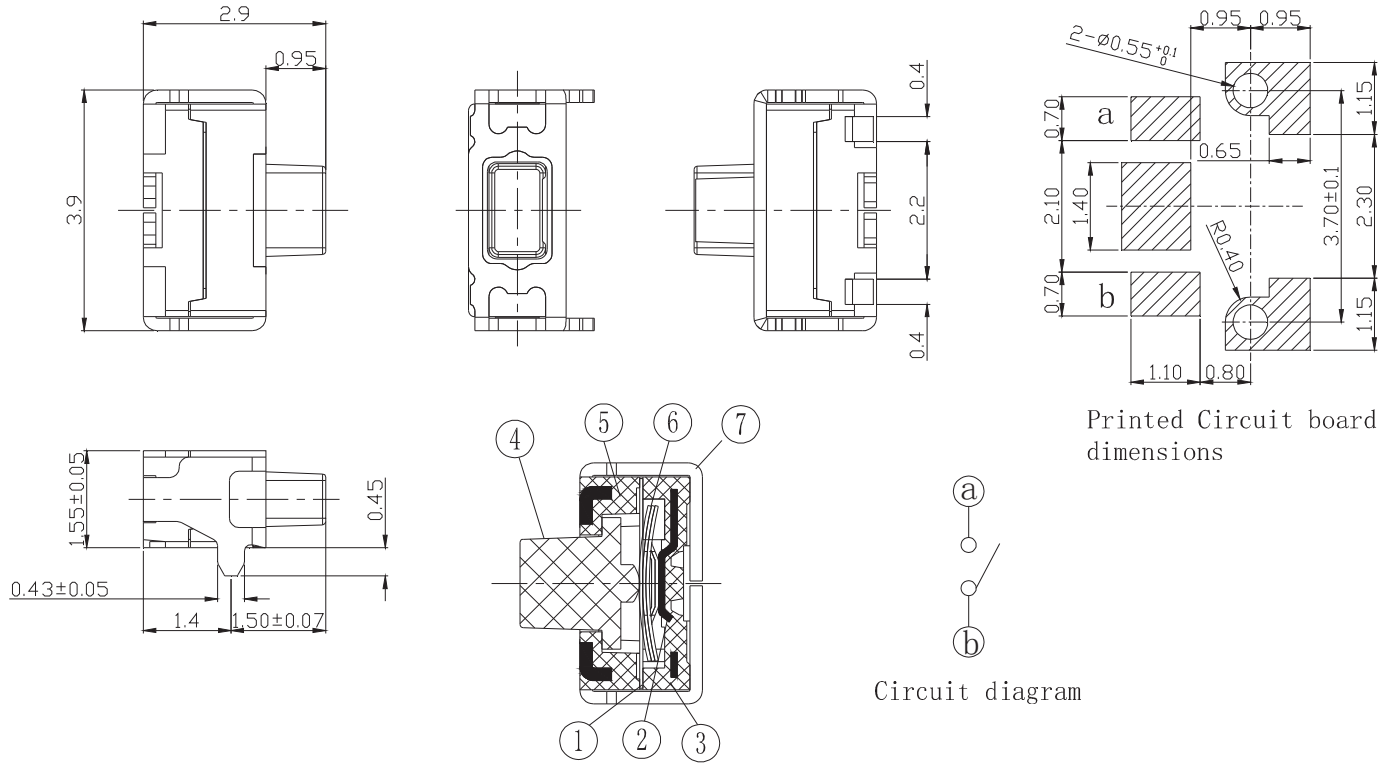


CUSTOMER	CUSTOMER'S P/N	GYE'S P/N	PRODUCT	REVISION
		KAN1542-0290H020	TACT SWITCH	A



General tolerance: $\pm 0.1\text{mm}$

NO.	NAME	MATERIAL	QTY	FINISHING
1	防水膜	Teflon	1	NATURAL
2	TERMINAL	C5191	2	Ag plated
3	CASE	LCP	1	primary colour
4	STEM	LCP	1	primary colour
5	COVER	LCP	1	primary colour
6	CONTACT	SUS	3	Ag plated
7	COVER	BRASS	1	Ag plated