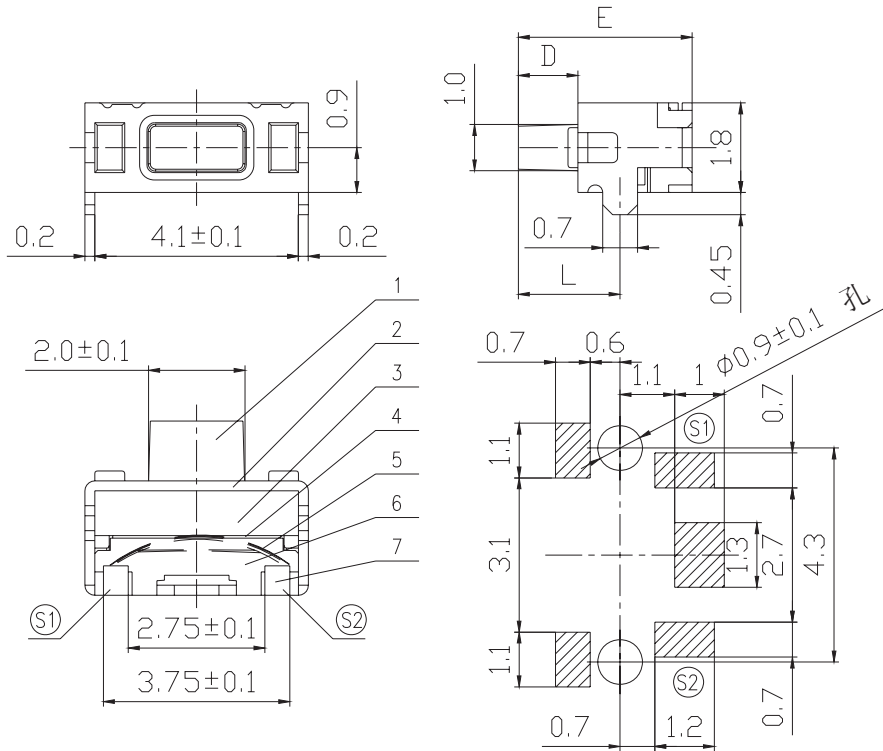
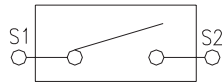


CUSTOMER	CUSTOMER'S P/N	GYE'S P/N	PRODUCT	REVISION
		KAN0241H-0353B	TACT SWITCH	A



安装尺寸图



电路图

产品型号	D	E	L
KAN0241H-0351B	1.2 ± 0.1	3.5 ± 0.1	2.05 ± 0.1
KAN0241H-0281B	0.5 ± 0.1	2.8 ± 0.1	1.35 ± 0.1

General tolerance: ± 0.1 mm

NO.	NAME	MATERIAL	NATIONALITY	FINISHING
1	STEM	LCP	Japan	White
2	COVER	C2680	China	Silver plating
3	COVER	LCP	Japan	White
4	FILM	PI	Japan	Yellow
5	CONTACT	SUS 301	Japan	Contact side silver plating (Square)
6	CASE	LCP	Japan	White
7	TERMINAL	C5191	China	Silver plating

APPROVE BY	廖明谷 14.07.02	CHECKED BY	项永才 14.07.02	PRPARE BY	王蕾蕾 14.07.02
------------	--------------	------------	--------------	-----------	--------------