

REVISION RECORD				
REV	ECN	DESCRIPTION	DRFT	DATE

Technical characteristics:

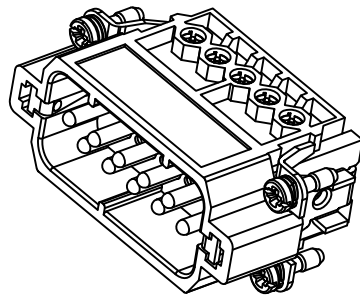
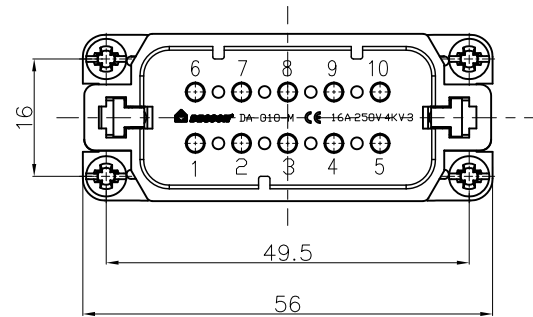
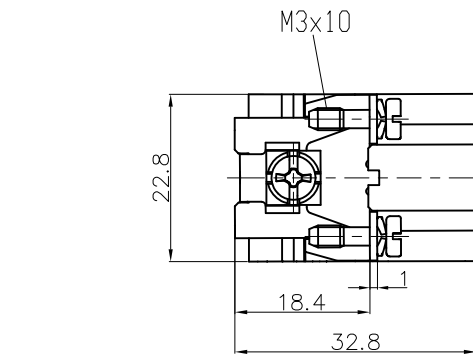
Specifications  
 DIN EN 60 664-1  
 DIN EN 61 984

Inserts

- 01. Number of contacts : 10+PE
- 02. Rated Current : 16A
- 03. Rated Voltage : 250V
- 04. Pollution degree : 3
- 05. Rated impulse voltage : 4kv
- 06. Insulation resistance :  $\geq 10^{10} \Omega$
- 07. Material: Polycarbonate
- 08. Rated voltage acc. to UL/CSA: 600V
- 09. Limiting temperatures :  $-40^{\circ}\text{C} \sim +125^{\circ}\text{C}$
- 10. Flammability acc. to UL94: V0
- 11. Mechanical working life  
 (mating cycles) :  $\geq 500$

Contacts

- 01. Material: Copper alloy
- 02. Surface: hard-silver plated
- 03. Contact resistance :  $\leq 1\text{m}\Omega$
- 04. Terminal : Screw terminal
- 05. Wire gauge : 1.0-2.5mm<sup>2</sup> (AWG 18-14)
- 06. Tightening torque : 0.5Nm
- 07. Stripping length : 7.5mm
- 08. Rohs Compliance



DETACHED LISTS	PART NO.:	/			宁波高松电子有限公司 NINGBO DEGSON ELECTRICAL CO., LTD
	APPD:	NAME:			
	CHKD:	DA-010-M			
	DRFT: yang 2016.07.25	TITLE: CUSTOMER DRAWING	REV	D0-1	
	THIRD ANGLE PROJECTION	DRAWING NO.: DA-010-M-E01	SHEET	1/1	
	MM (INCH)	DO NOT SCALE DRAWING	SCALE		