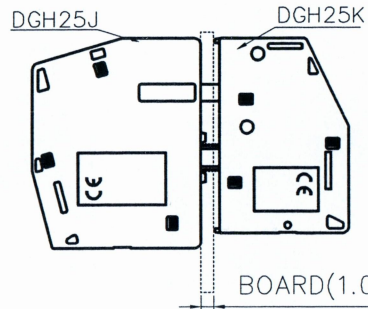
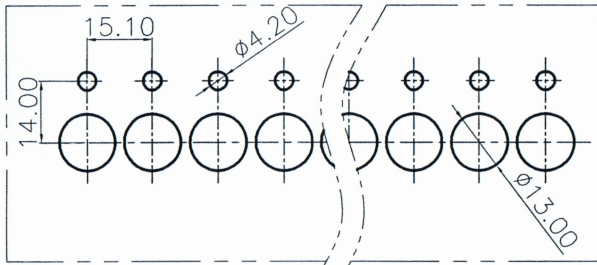
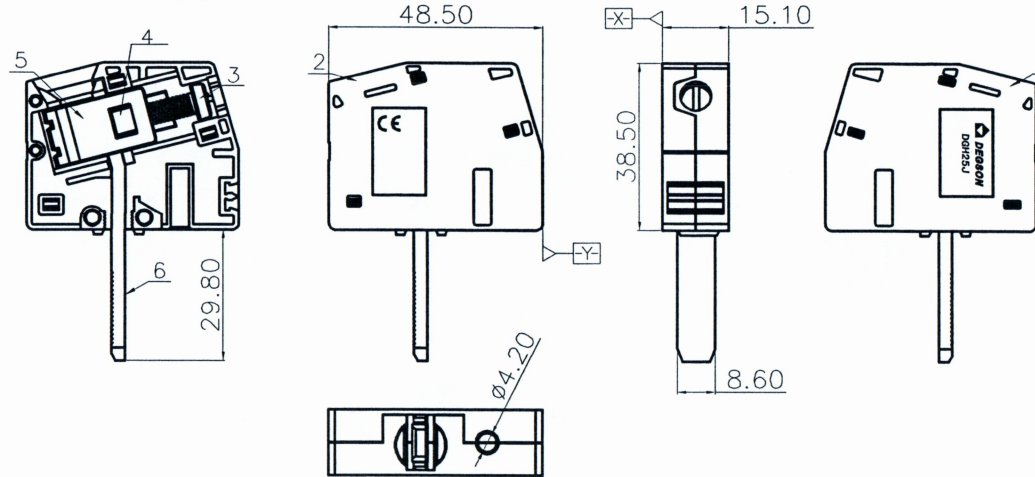


REVISION RECORD				
REV	ECN	DESCRIPTION	DRFT	DATE

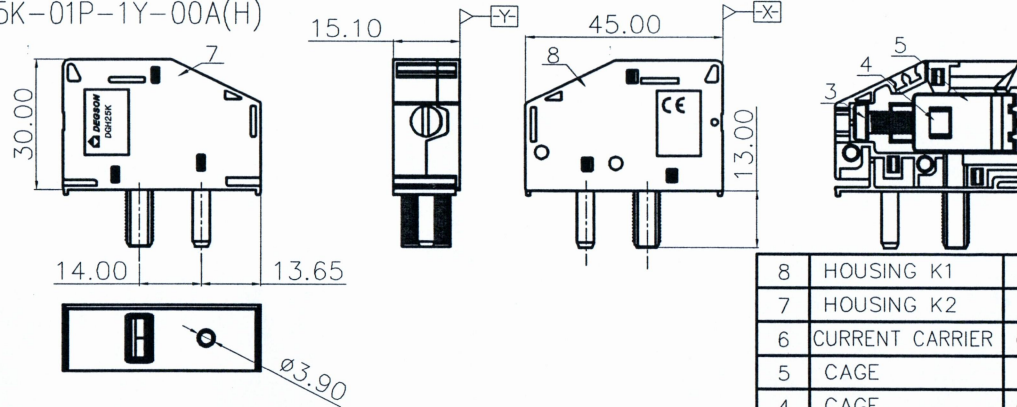



DGH25J-01P-1Y-00A(H)



LAYOUT

DGH25K-01P-1Y-00A(H)



仅供参考图
 签字: 
 日期: 2015.10.22

NOTES1:

- 1. UL Standard
- 1. Rated Voltage/Current : 600V / 115A
- 2. Withstanding Voltage : AC2200V/1Min.
- 3. Torque Value : M5.0 , 17.54Lb.in
- 4. Wire Range : 8~2AWG

IEC Standard

1. Pollution Degree	3
Overvoltage Category	III
Rate Impulse Voltage(KV)	6.0KV
Rate Voltage(V)	500V
Rate Current(A)	101A

- 2. Torque Value : M5.0 , 2.0N.m
- 3. Wire Range : 6~35mm²(Sol), 10~25mm²(Str)

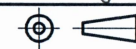
NOTES2:

- 1. Dimension shall be interpreted per ASME Y14.5-2009
- 2. Pitch : 15.1mm, Poles : N=01P
- 3. Stripping length : 19.0mm
- 4. Operating temperature: -40°C~+105°C
- 5. Undimensioned Tolerances:

Pitch Range In mm	Nominal Dimension Range In mm						0.1/10	0.1/10	
	Over 6 TO 10	Over 10 TO 24	Over 24 TO 30	Over 30 TO 60	Over 60 TO 100	Over 100 TO 150			
	±0.15	±0.20	±0.30	±0.30	±0.50	±0.70	±1.00	±1.30	±2*

6. RoHS Compliance

ITEM	NAME OF PART	MATERIAL	NOTES
8	HOUSING K1	PA66	UL94V-0
7	HOUSING K2	PA66	UL94V-0
6	CURRENT CARRIER	COPPER ALLOY	Sn PLATED
5	CAGE	STEEL	Ni PLATED
4	CAGE	COPPER ALLOY	Zn PLATED
3	SCREW	STEEL	Zn PLATED
2	HOUSING J1	PA66	UL94V-0
1	HOUSING J2	PA66	UL94V-0

DETACHED LISTS	PART NO.: /	宁波高松电子有限公司 DEGSON ® NINGBO DEGSON ELECTRICAL CO., LTD			
	APPD: Alan 10/22/15	NAME: DGH25-01P-1Y-00AH			
	CHKD: Penny 10/22/15	TITLE: CUSTOMER DRAWING			
	DRFT: WWF 10/22/15	REV	D0-1	SHEET	1/1
 THIRD ANGLE PROJECTION		DRAWING NO.: DGH25-C01		SCALE	1:1
 DO NOT SCALE DRAWING					