

Package Dimensions in mm

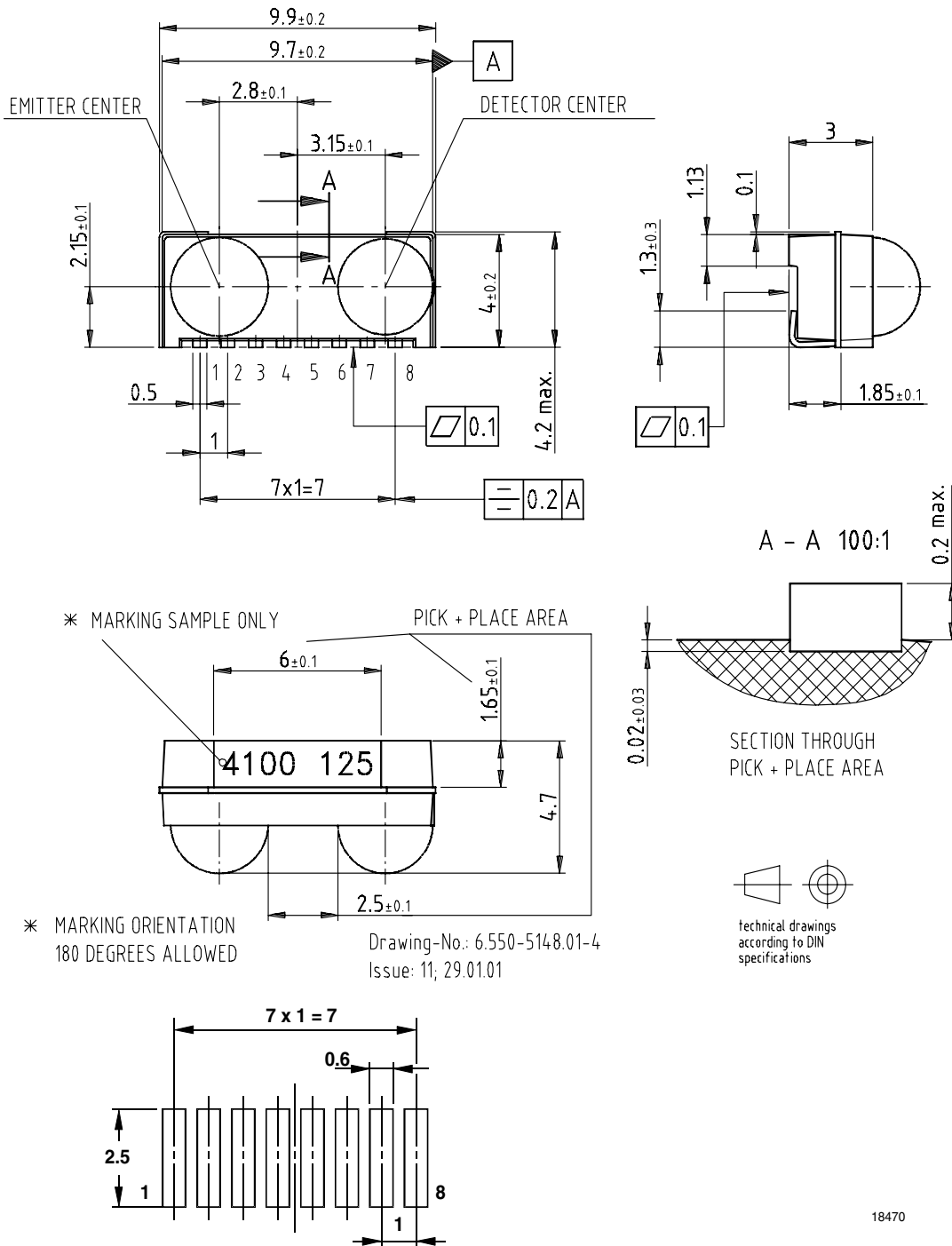


Figure 7. Package drawing TFDU6103, dimensions in mm, tolerance ± 0.2 mm if not otherwise mentioned